

DRW81-003 SHEET 1 OF 5  
8.15 WITH ZF/HURTH 80A DOWN ANGLE TRANSMISSION

UNIT OF MEASURE  
in. (mm)

SCALE  
1" = 1'  
25.4 mm = 305 mm

- NOTES:
- (1) DIMENSIONS REQUIRE A MINIMUM OF 1/2 in. (13 mm) CLEARANCE FOR MOTOR MOUNT DEFLECTION.
  - (2) SELECT THE APPROPRIATE EXHAUST RISE-HEIGHT TO MAINTAIN A MINIMUM OF 15 in. (381 mm) BETWEEN THE TOP OF THE EXHAUST ELBOW AND THE WATERLINE OF THE BOAT AT MAXIMUM RATED LOAD.
  - (3) DIMENSIONS APPLY TO POINT OF INTERSECTION OF OUTPUT SHAFT CENTERLINE AND OUTPUT FLANGE FACE.
  - (4) DIMENSIONS TO SEA WATER PUMP INLET.
  - (5) BASE OF MOUNT TO BE PARALLEL TO STRINGER. MOUNTS SHOWN AT CENTER OF ADJUSTMENT.

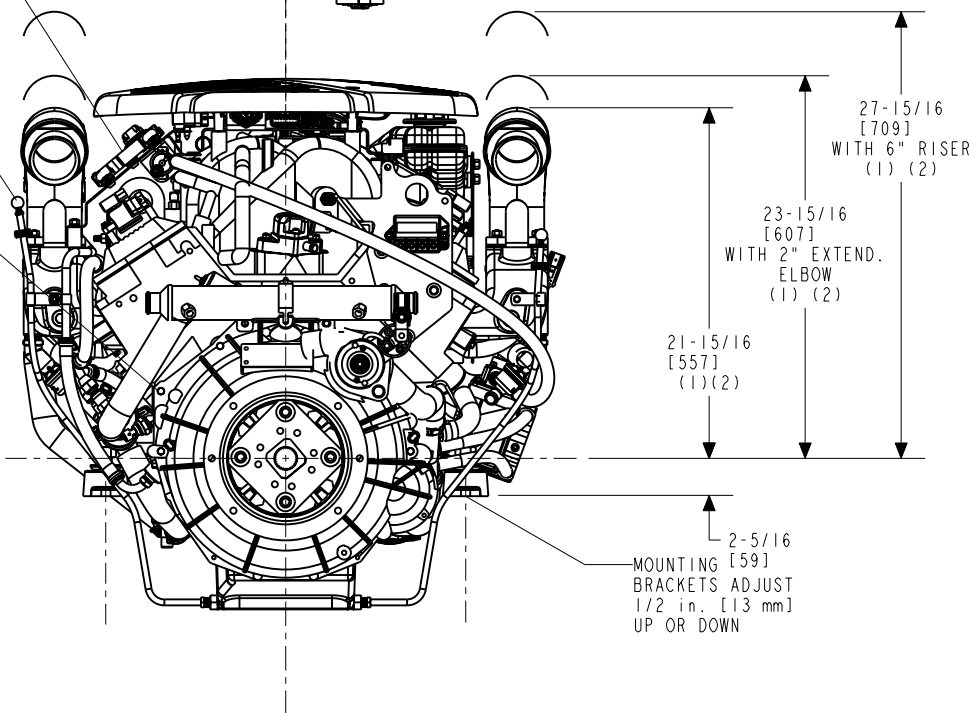
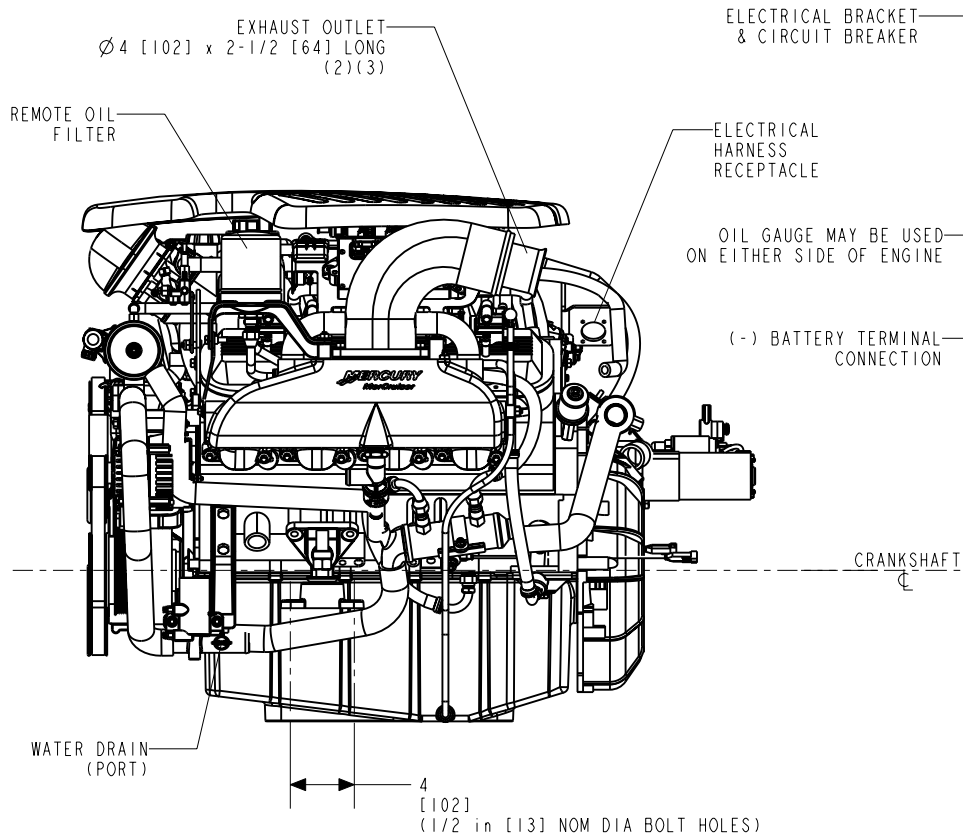
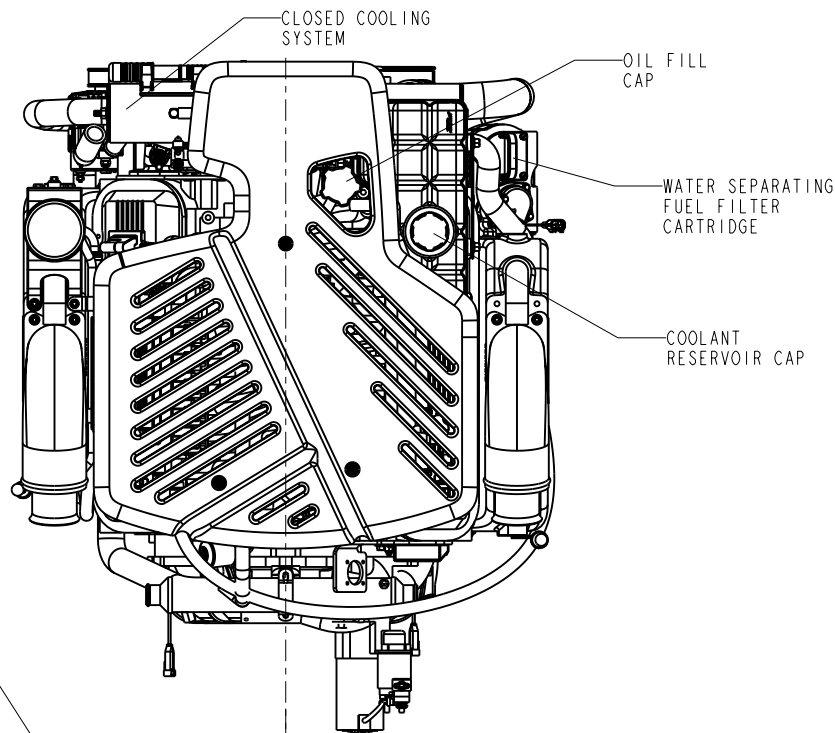
**DRW81-003 SHEET 2 OF 5**  
**8.15 WITH ZF/HURTH 80A DOWN ANGLE TRANSMISSION**

UNIT OF MEASURE  
 in. (mm)

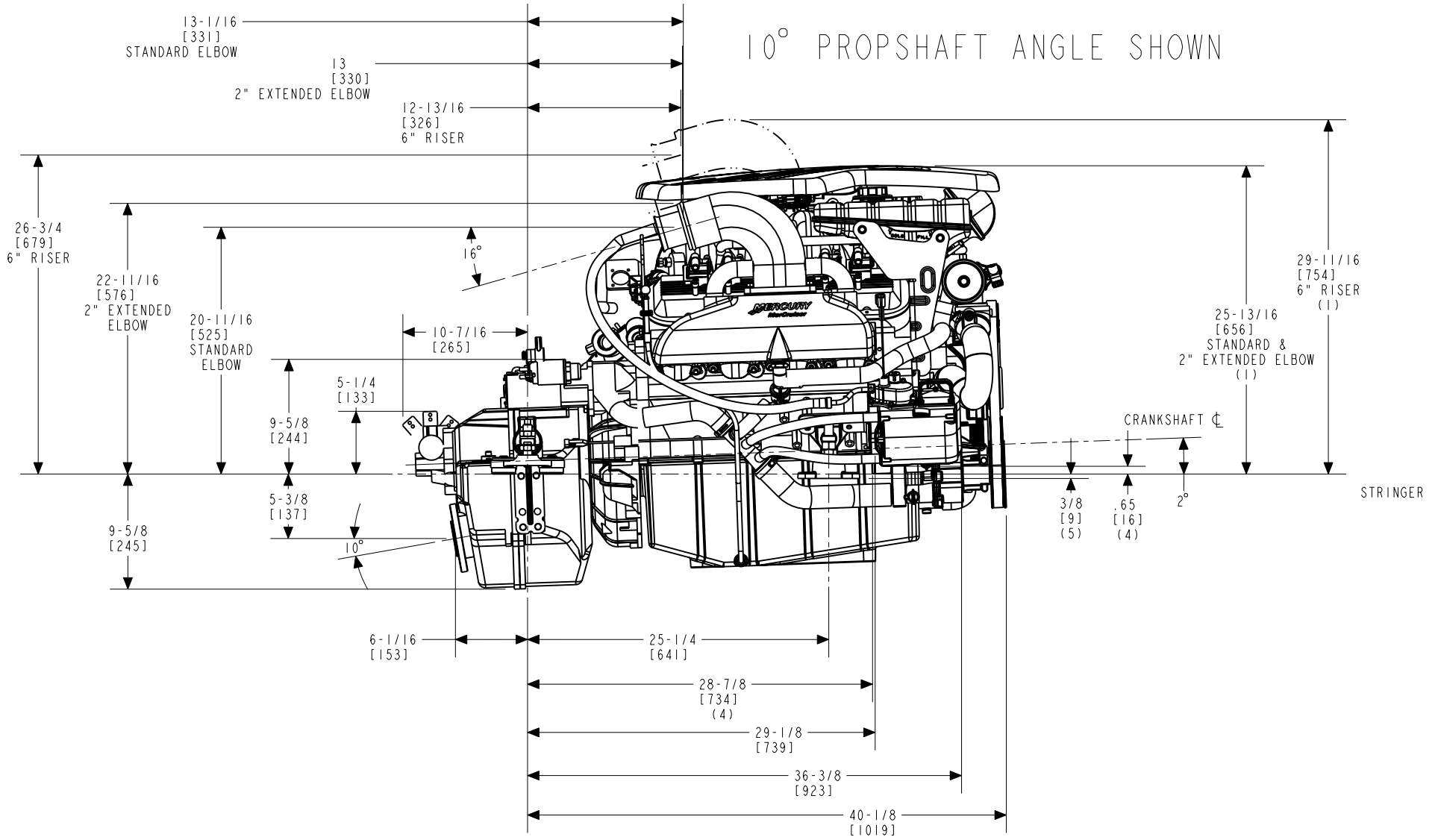
SCALE  
 1" = 1'  
 25.4 mm = 305 mm

**NOTES:**

- (1) DIMENSIONS REQUIRE A MINIMUM OF 1/2 in. (13 mm) CLEARANCE FOR MOTOR MOUNT DEFLECTION.
- (2) SELECT THE APPROPRIATE EXHAUST RISE-HEIGHT TO MAINTAIN A MINIMUM OF 15 in. (381 mm) BETWEEN THE TOP OF THE EXHAUST ELBOW AND THE WATERLINE OF THE BOAT AT MAXIMUM RATED LOAD.
- (3) DIMENSIONS APPLY TO POINT OF INTERSECTION OF OUTPUT SHAFT CENTERLINE AND OUTPUT FLANGE FACE.
- (4) DIMENSIONS TO SEA WATER PUMP INLET.
- (5) BASE OF MOUNT TO BE PARALLEL TO STRINGER. MOUNTS SHOWN AT CENTER OF ADJUSTMENT.

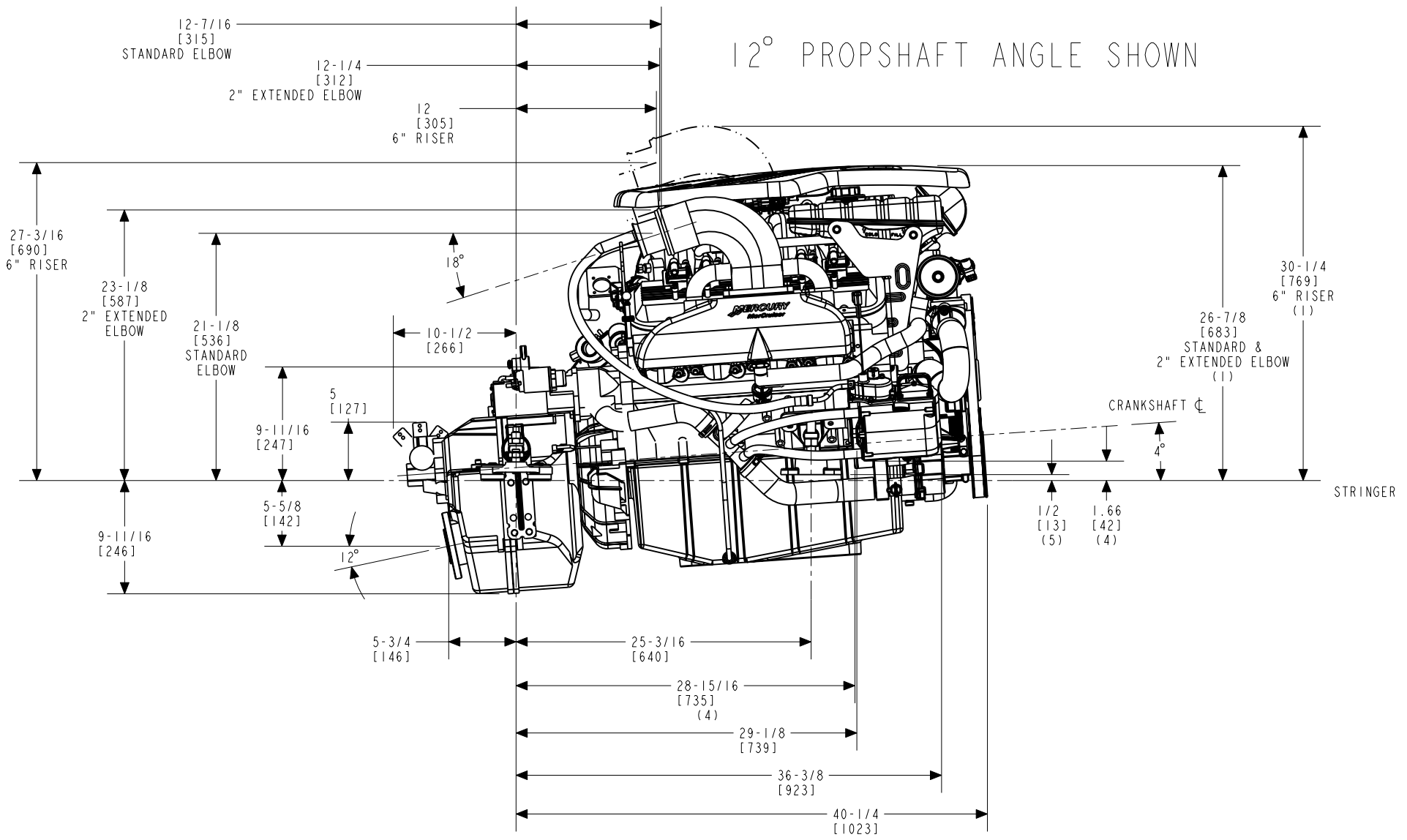


10° PROPSHAFT ANGLE SHOWN



<p>DRW81-003 SHEET 3 OF 5 8.1S WITH ZF/HURTH 80A DOWN ANGLE TRANSMISSION</p>	<p>UNIT OF MEASURE in. (mm)</p>	<p>SCALE 1" = 1' 25.4 mm = 305 mm</p>
<p>NOTES:                  (1) DIMENSIONS REQUIRE A MINIMUM OF 1/2 in. (13 mm) CLEARANCE FOR MOTOR MOUNT DEFLECTION.                  (2) SELECT THE APPROPRIATE EXHAUST RISE-HEIGHT TO MAINTAIN A MINIMUM OF 15 in. (381 mm) BETWEEN THE TOP OF THE EXHAUST ELBOW AND THE WATERLINE OF THE BOAT AT MAXIMUM RATED LOAD.                  (3) DIMENSIONS APPLY TO POINT OF INTERSECTION OF OUTPUT SHAFT CENTERLINE AND OUTPUT FLANGE FACE.                  (4) DIMENSIONS TO SEA WATER PUMP INLET.                  (5) BASE OF MOUNT TO BE PARALLEL TO STRINGER. MOUNTS SHOWN AT CENTER OF ADJUSTMENT.</p>		

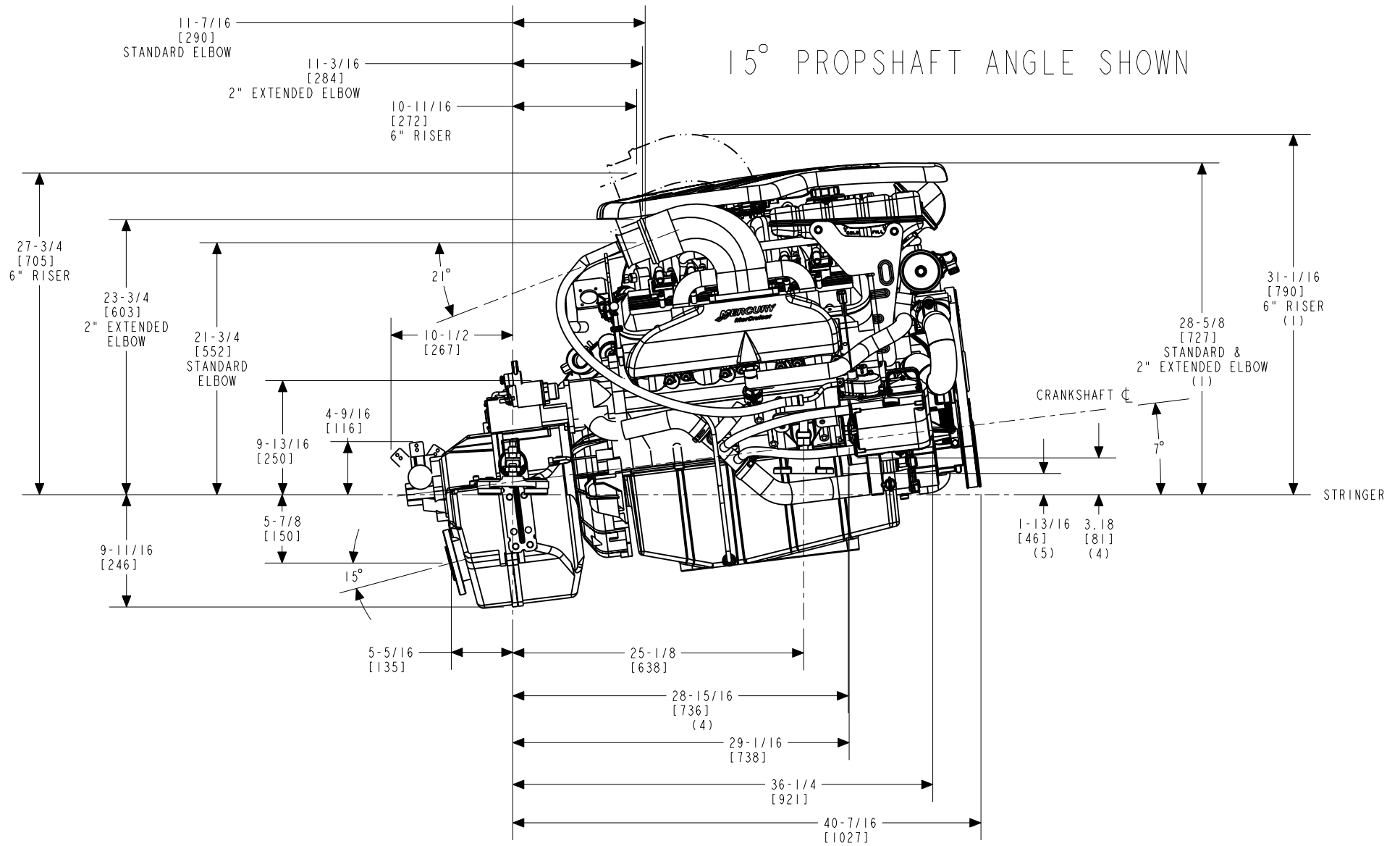
12° PROPSHAFT ANGLE SHOWN



<b>DRW81-003 SHEET 4 OF 5</b> <b>8.1S WITH ZF/HURTH 80A DOWN ANGLE TRANSMISSION</b>	UNIT OF MEASURE in. (mm)	SCALE 1" = 1' 25.4 mm = 305 mm
--	-----------------------------	--------------------------------------

NOTES:  
 (1) DIMENSIONS REQUIRE A MINIMUM OF 1/2 in. (13 mm) CLEARANCE FOR MOTOR MOUNT DEFLECTION.  
 (2) SELECT THE APPROPRIATE EXHAUST RISE-HEIGHT TO MAINTAIN A MINIMUM OF 15 in. (381 mm) BETWEEN THE TOP OF THE EXHAUST ELBOW AND THE WATERLINE OF THE BOAT AT MAXIMUM RATED LOAD.  
 (3) DIMENSIONS APPLY TO POINT OF INTERSECTION OF OUTPUT SHAFT CENTERLINE AND OUTPUT FLANGE FACE.  
 (4) DIMENSIONS TO SEA WATER PUMP INLET.  
 (5) BASE OF MOUNT TO BE PARALLEL TO STRINGER. MOUNTS SHOWN AT CENTER OF ADJUSTMENT.

# 15° PROPSHAFT ANGLE SHOWN



DRW81-003 SHEET 5 OF 5  
8.1S WITH ZF/HURTH 80A DOWN ANGLE TRANSMISSION

UNIT OF MEASURE  
in. (mm)

SCALE  
1" = 1'  
25.4 mm = 305 mm

- NOTES:
- (1) DIMENSIONS REQUIRE A MINIMUM OF 1/2 in. (13 mm) CLEARANCE FOR MOTOR MOUNT DEFLECTION.
  - (2) SELECT THE APPROPRIATE EXHAUST RISE-HEIGHT TO MAINTAIN A MINIMUM OF 15 in. (381 mm) BETWEEN THE TOP OF THE EXHAUST ELBOW AND THE WATERLINE OF THE BOAT AT MAXIMUM RATED LOAD.
  - (3) DIMENSIONS APPLY TO POINT OF INTERSECTION OF OUTPUT SHAFT CENTERLINE AND OUTPUT FLANGE FACE.
  - (4) DIMENSIONS TO SEA WATER PUMP INLET.
  - (5) BASE OF MOUNT TO BE PARALLEL TO STRINGER. MOUNTS SHOWN AT CENTER OF ADJUSTMENT.