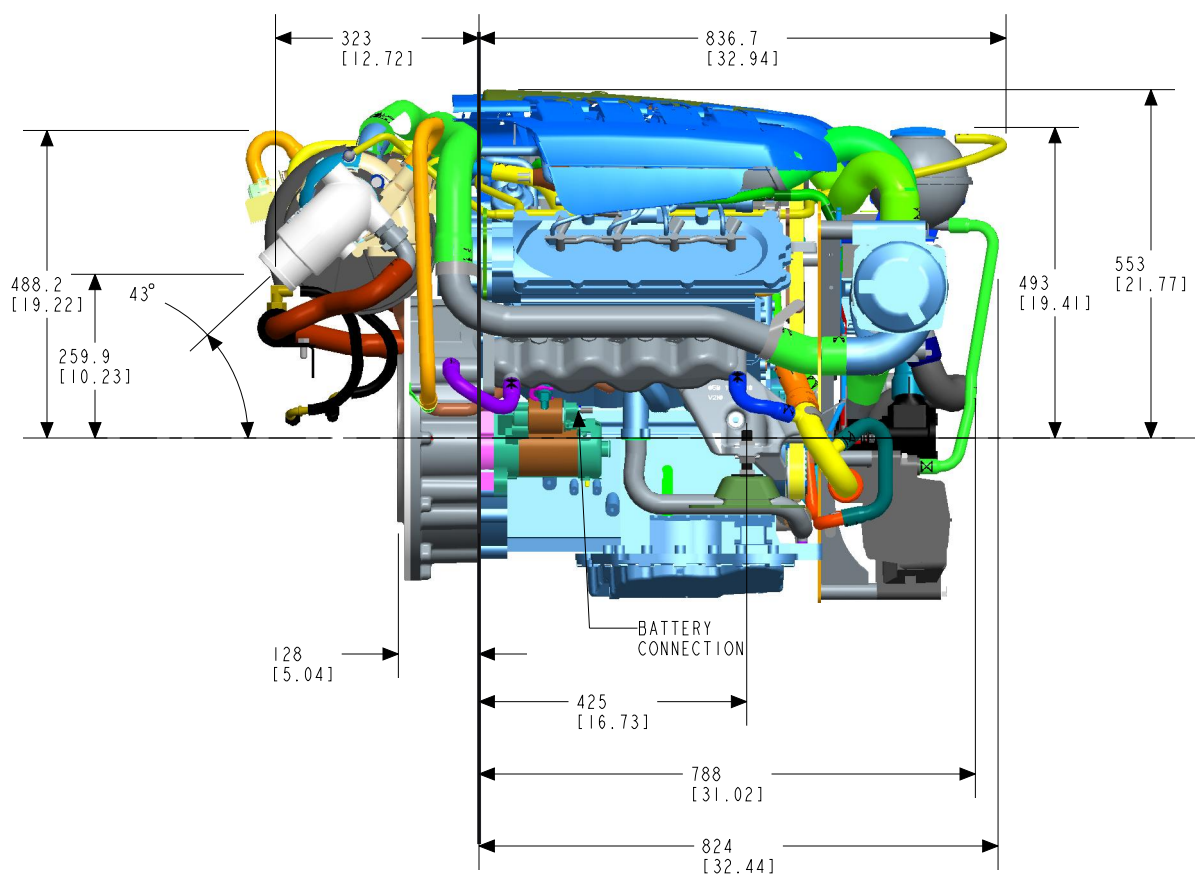
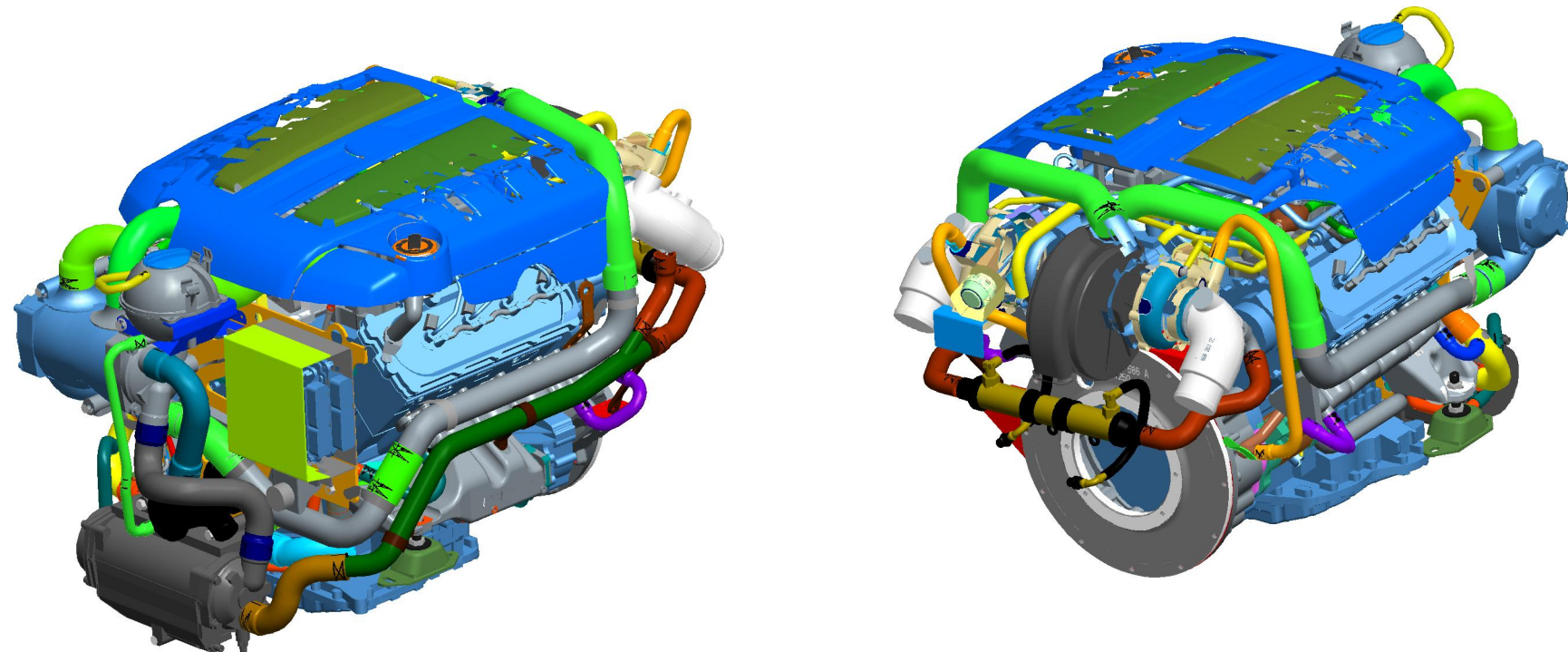
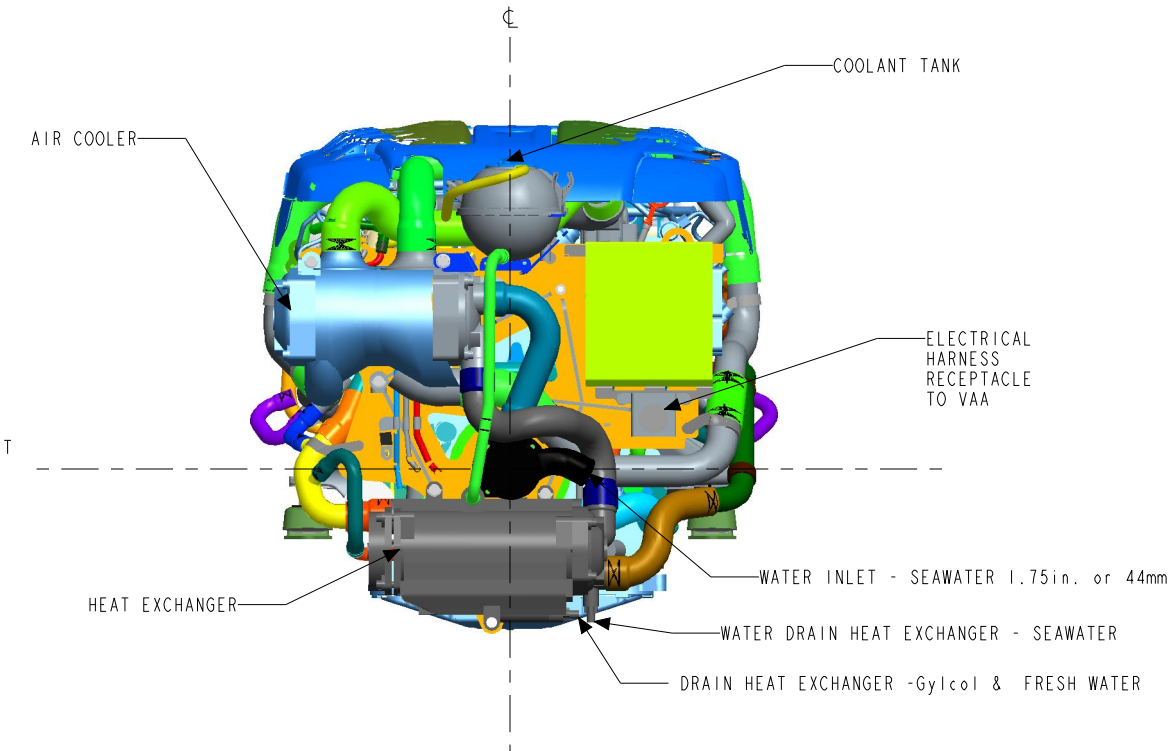


BACK OF BLOCK

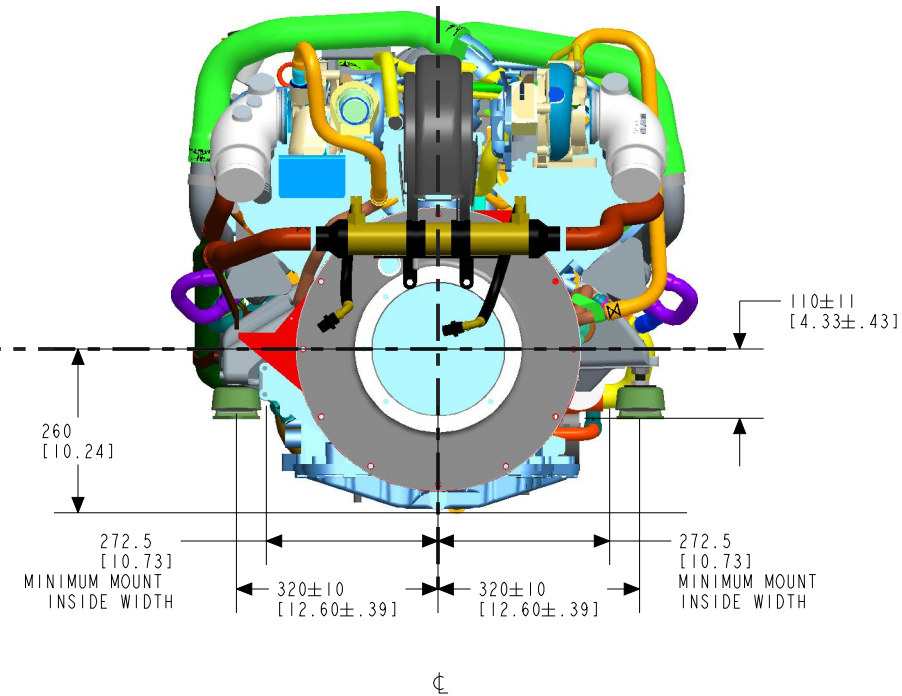
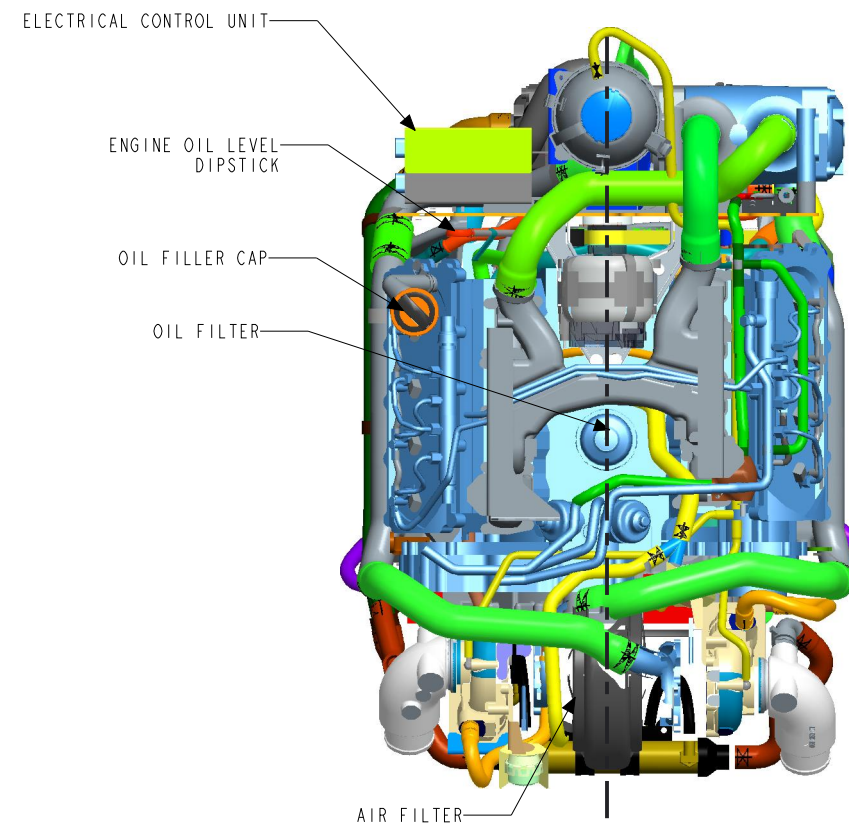
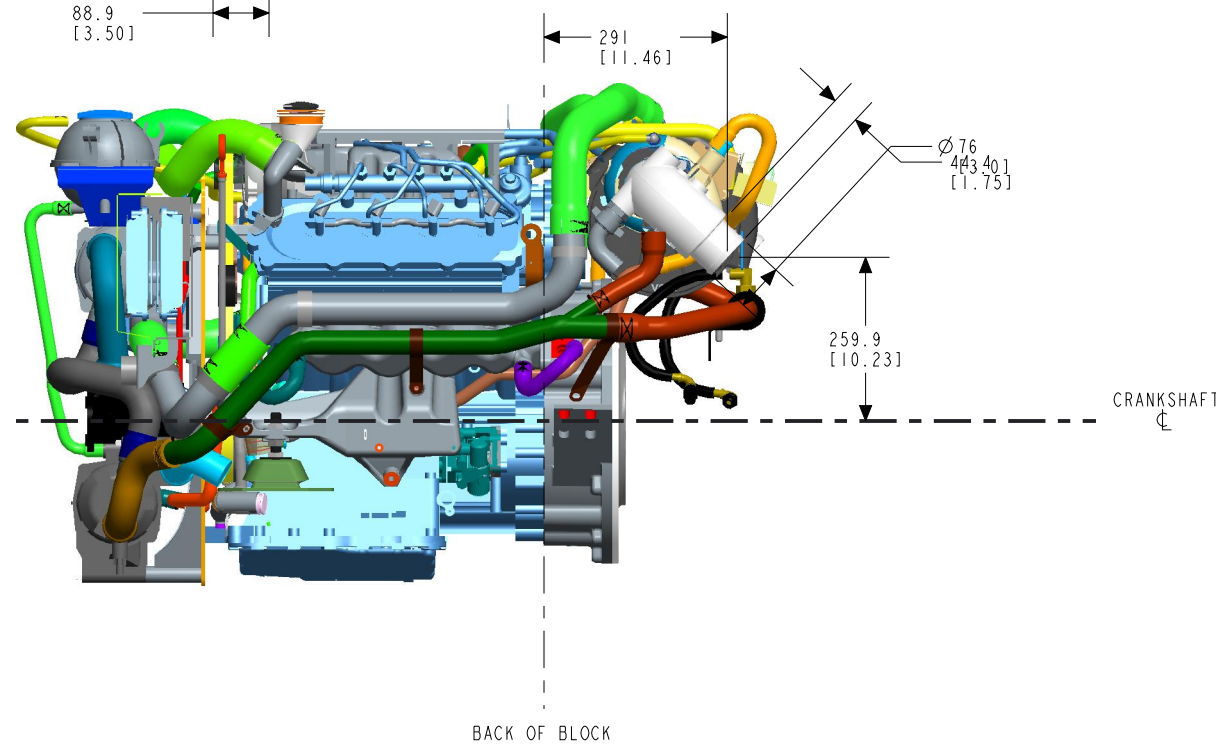
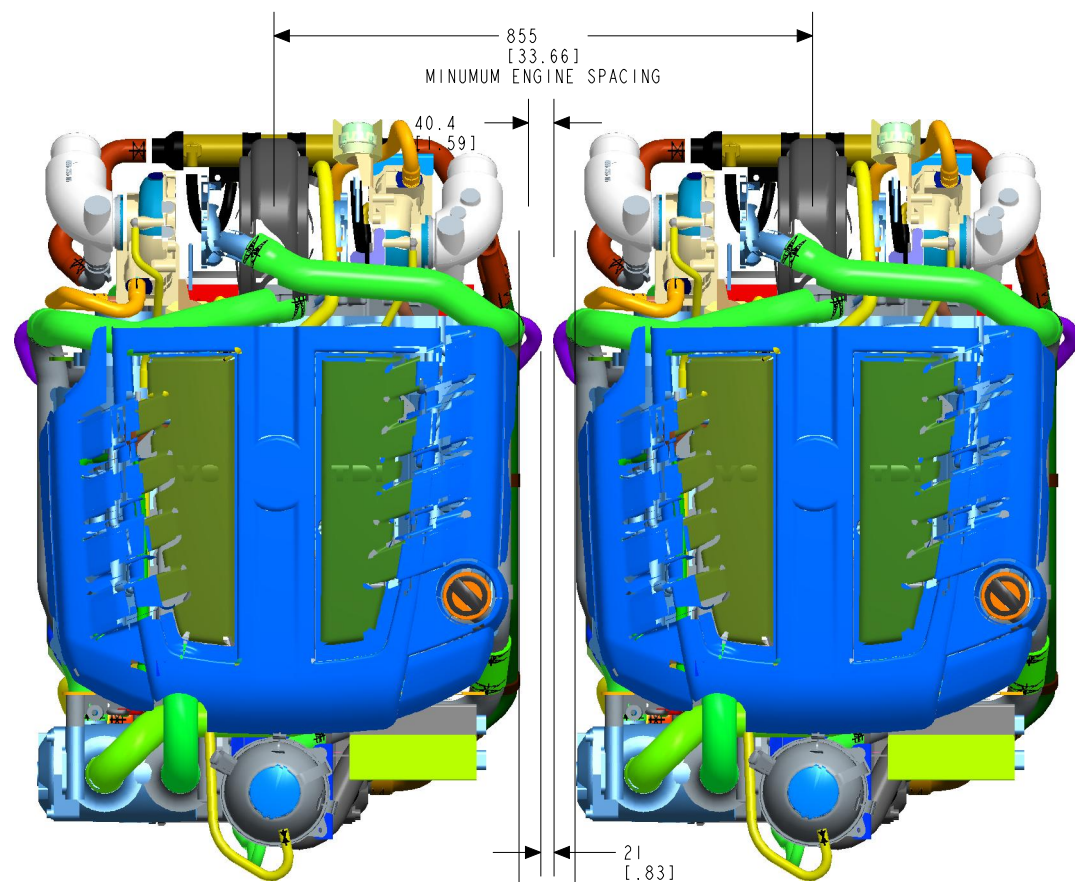


BATTERY CONNECTION



NOTES:  
 (1) REFER TO THE APPLICATION MANUAL FOR COMPLETE PRODUCT INSTALLATION REQUIREMENTS.  
 (2) DIMENSIONS REQUIRE A MINIMUM OF 1/2 in. (13 mm) CLEARANCE FOR MOTOR MOUNT DEFLECTION.

TDI_P1_V8_BOBTAIL	REVISION	UNITS	SCALE	SHEETS	<b>MERCURY</b> MerCruiser
	A	mm (in)	1:12 25.4 mm = 305 mm 1" = 1"	1 OF 2	



NOTES:  
 (1) REFER TO THE APPLICATION MANUAL FOR COMPLETE PRODUCT INSTALLATION REQUIREMENTS.  
 (2) DIMENSIONS REQUIRE A MINIMUM OF 1/2 in. (13 mm) CLEARANCE FOR MOTOR MOUNT DEFLECTION.

TDI_P1_V8_BOBTAIL	REVISION	UNITS	SCALE	SHEETS	<b>MERCURY</b> MerCruiser
	A	mm (in)	1:12 25.4 mm = 305 mm 1" = 1"	2 of 2	