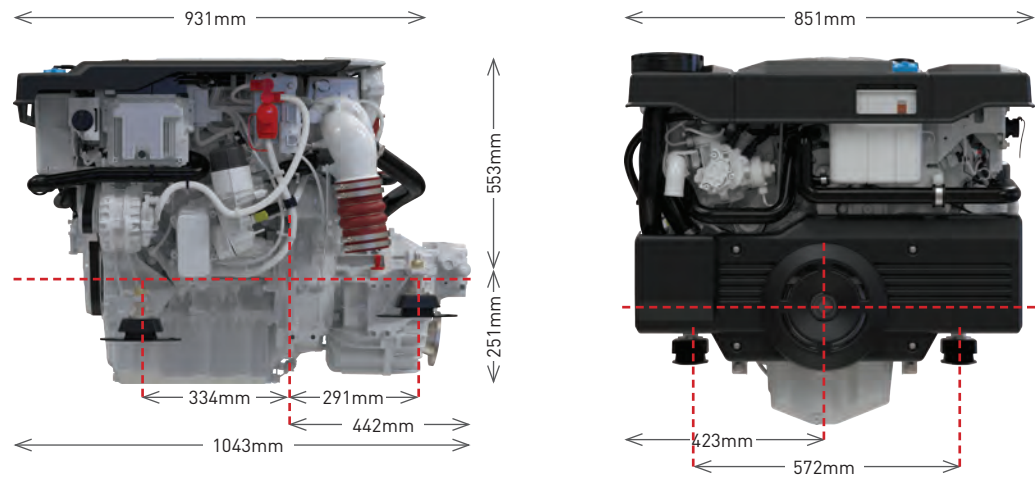


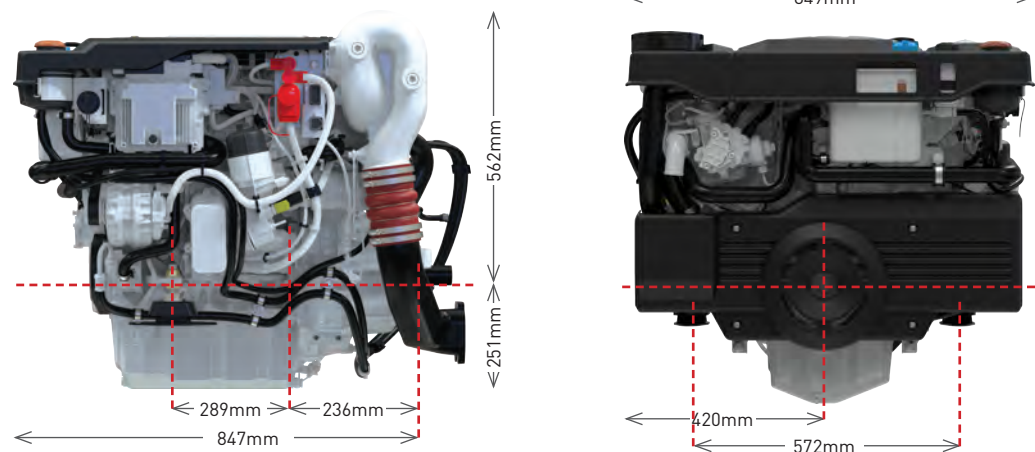
Specifications	150 mHP	230 mHP	270 mHP
Compression ratio	16.5:1		
Fuel pre-filtration requirement	Not required but feasible		
Fuel lift pump	On engine		
High pressure fuel pump	Bosch CP 4.2 w/integrated gear lift pump		
Valves per cylinder	4		
Pistons	Oil jet cooled		
Fuel injectors	Bosch CRS 2.20 (Solenoid)		
Air Inlet (Port rear)	Filtered and silenced		
Turbocharger	Honeywell VGT		
Engine and turbocharger cooling	Closed cooled		
Coolers; CAC, Oil, Fuel and Engine	Tube and Shell		
Seawater pump/inlet mm (in)	38 mm (1.5in)		
Peak torque at RPM N-m (ft-lb)	493 Nm @ 2000 rpm	503 Nm @ 2200 rpm	594 Nm @ 2200 rpm
Oil sump volume L (qt)	8.5L		
Dipstick range L (qt)	1.0L		
Oil maintenance interval hr*	200		
Flywheel size mm (in)	290 (11.42)		
Flywheel housing	SAE 8		
Electrical system	12V 110A		
Engine stop	ECU Controlled		
Engine Control Unit (ECU)	Bosch EDC17		
Throttle and shift	Mercury DTS or Mechanical Cable		
Helm and gauge compatibility	Mercury SmartCraft		
Mercury Joystick Piloting - Inboard & Sterndrive	Compatible		
Engine and ECU covers	Texture coated Aluminum. Protects engine plus provides step capable platform		
Inboard: ZF 63A	1.21, 1.56, 2.03, 2.52, 2.68		
Inboard: ZF 63	1.25, 1.75, 2.78		
Inboard: ZF 68IV	1.29, 1.56, 1.99		
Inboard: ZF 45C	1.00		
Sensors	Crank & cam position, intake manifold pressure/temp, compressor outlet temp, exhaust gas temp, fuel temp, rail pressure, water in fuel (WIF), oil pressure/ temp, coolant temp, seawater pressure/temp, atmospheric pressure		

Model	Driveline Options	Output Power		Fuel use at Rated Speed L/hr (gal/hr)	Rated Use	Idle Speed (RPM)	Max Rated Engine Speed (RPM)	Emissions Ratings (no after treatment)		
		mHP	kW					EPA	EU	IMO
150	Bobtail Inboard	150	110	31.5 (8.3)	LDC	650	3000	Tier 3		
230	Bobtail Inboard	230	169	49 (12.9)	REC/LDC		4200	Tier 3	RCD 2	Tier 2
270	Bobtail Inboard	270	199	55 (14.3)						

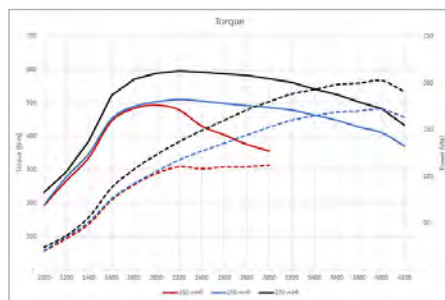
ENGINE DIMENSIONS - INBOARD



ENGINE DIMENSIONS - STERNDRIVE



TORQUE & POWER (full load at crankshaft)



BOAT LOAD FUEL CONSUMPTION

