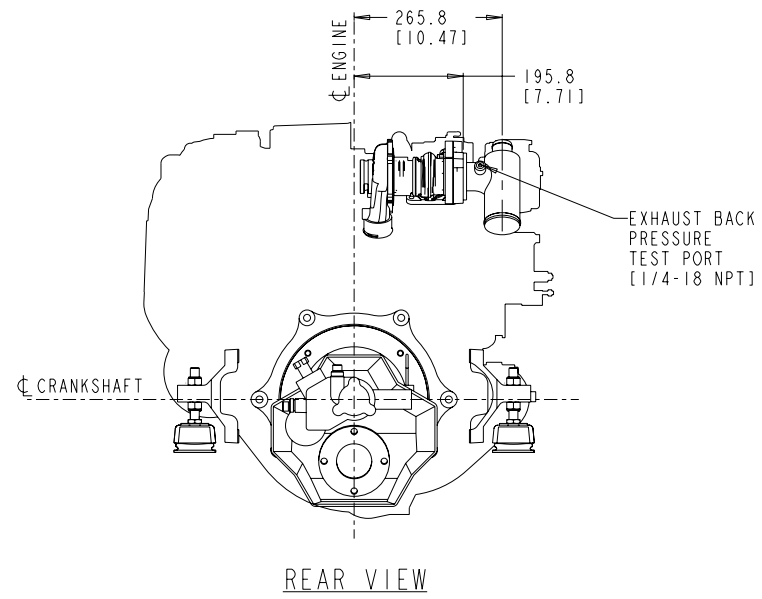
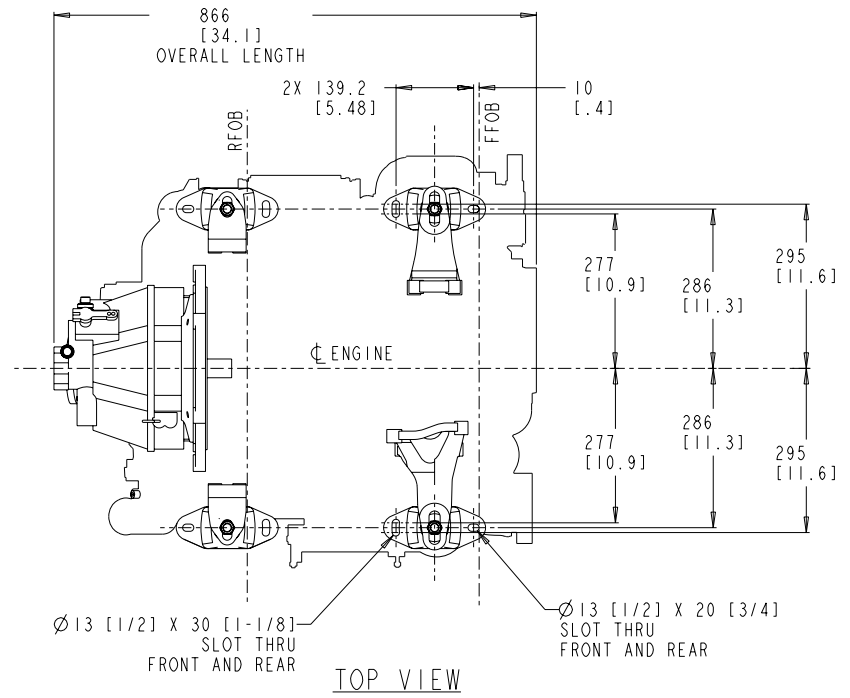


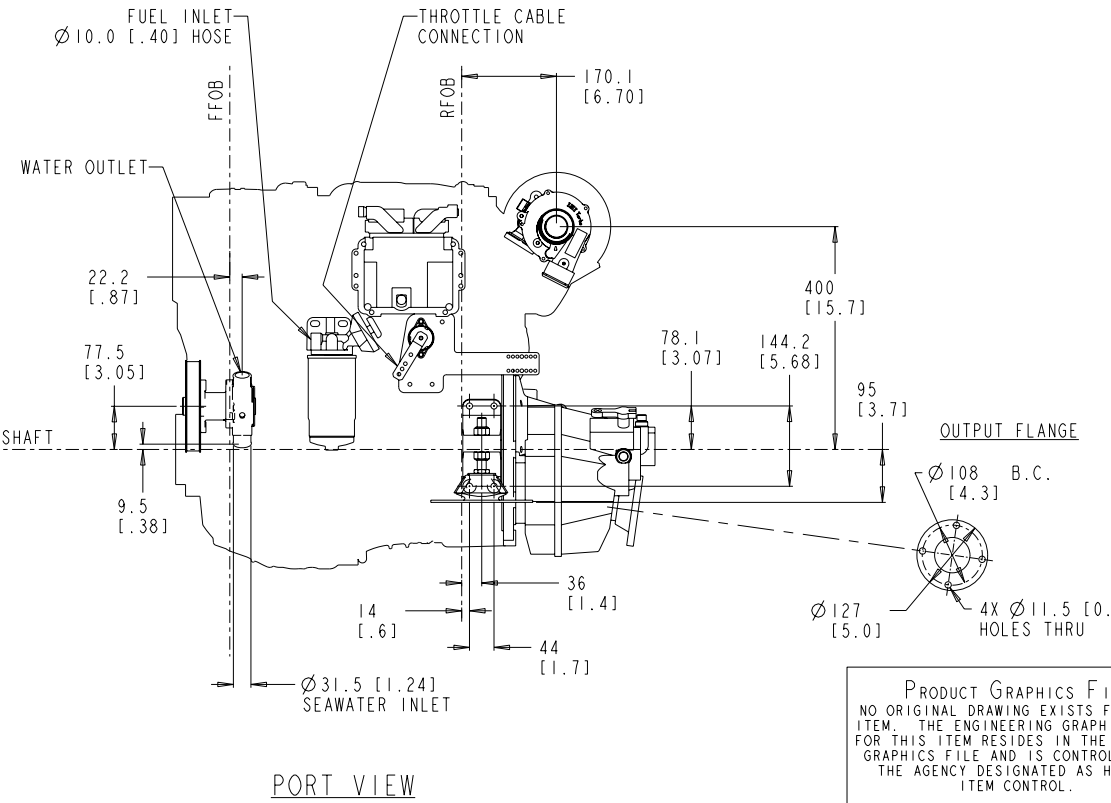
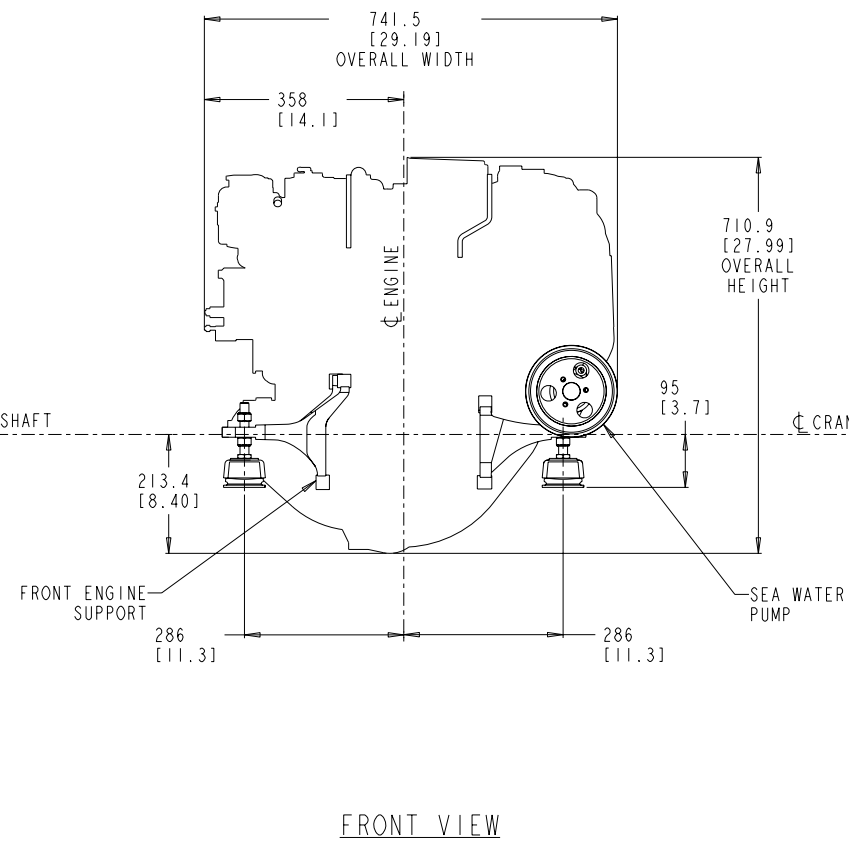
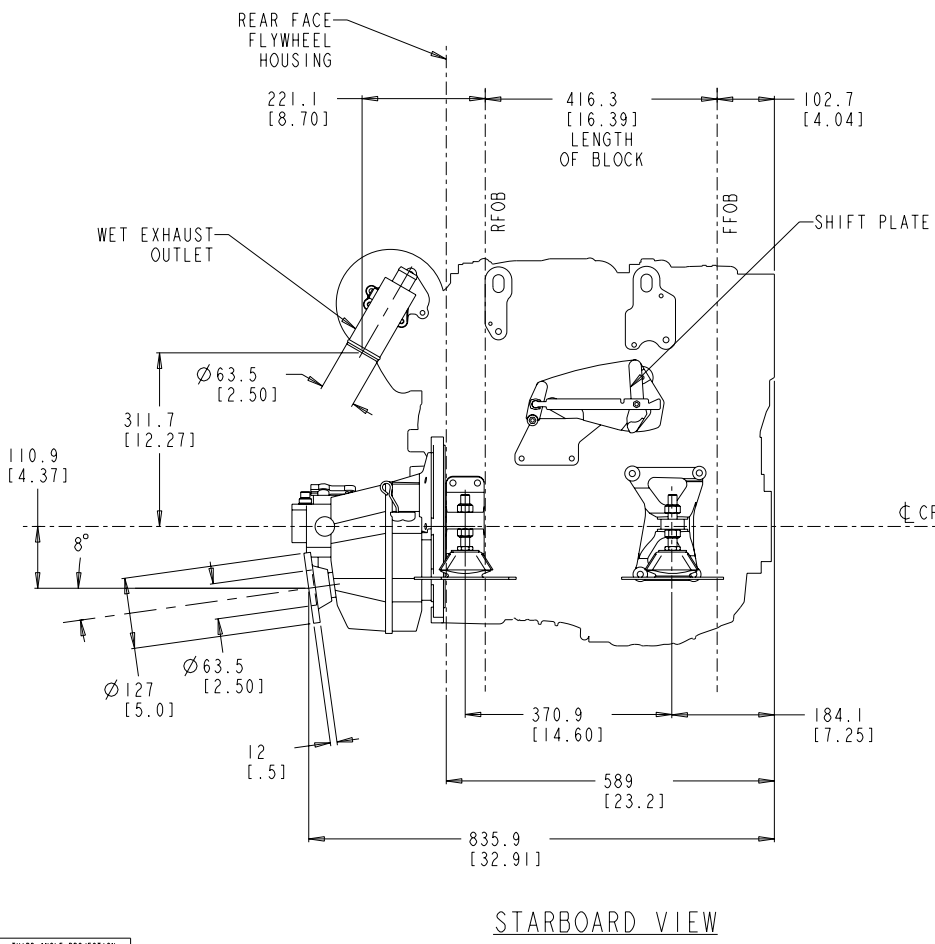
ITEM NUMBER  
4953734

REVISIONS			
ZONE	REV	DESCRIPTION	APP'D
01	REVISED		

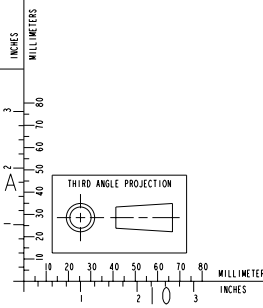


NOTES:

1. DIMENSIONS REQUIRE A MINIMUM 13mm [1/2] CLEARANCE FOR MOTOR MOUNT DEFLECTION.
2. ENGINE MOUNTS ADJUST 8mm [5/16] UP OR DOWN.
3. SECURE SEAWATER HOSE INLET AWAY FROM ALTERNATOR BELT.
4. SHOWN WITH TECHNODRIVE TM345A TRANSMISSION.
5. FOR CORRECT CABIN/WATER HEATER CONNECTION, REFER TO INSTALLATION MANUAL.
6. NUMBERS INSIDE BRACKETS ARE IN INCHES.



PRODUCT GRAPHICS FILE  
NO ORIGINAL DRAWING EXISTS FOR THIS ITEM. THE ENGINEERING GRAPHICS DATA FOR THIS ITEM RESIDES IN THE PRODUCT GRAPHICS FILE AND IS CONTROLLED BY THE AGENCY DESIGNATED AS HAVING ITEM CONTROL.



DO NOT SCALE THIS DRAWING

THIS DRAWING/DATA FILE (AND THE INFORMATION SHOWN THEREON) IS CONFIDENTIAL AND PROPRIETARY AND SHALL NOT BE USED, DISCLOSED TO OTHERS, OR REPRODUCED BY ANY MEANS FOR ANY PURPOSE IN HARD COPY FORM OR IN MACHINE READABLE FILES, WITHOUT WRITTEN CONSENT OF CUMMINS INC., MARKETING CAD SERVICES DEPARTMENT.

LAST SECTION LETTER USED: <b>NA</b>	REF. DRAWING STANDARDS: ANSI Y14.5M ISO 81101	ITEM NAME <b>CUMMINS INC.</b>
UNLESS OTHERWISE SPECIFIED DIMENSIONS ARE IN: MM 1.7 ARE IN: IN	IDENTIFIER <b>QSD 2.0L W/ TM345A</b>	SIZE CODE IDENT. NO. ITEM NUMBER <b>J 4953734</b>
DWN: D. SOMIN	SCALE: 25	ITEM CONTROL: MCS
CHD: UNCHECKED		SHEET 1 OF 1
APPD:		