

DRW81-006 SHEET 1 OF 2  
 8.1S WITH VELVET DRIVE 72C  
 REMOTE V-DRIVE TRANSMISSION

UNIT OF MEASURE  
 in. (mm)

SCALE  
 1" = 1'  
 25.4 mm = 305 mm

- NOTES:
- (1) DIMENSIONS REQUIRE A MINIMUM OF 1/2 in. (13 mm) CLEARANCE FOR MOTOR MOUNT DEFLECTION.
  - (2) SELECT THE APPROPRIATE EXHAUST RISE-HEIGHT TO MAINTAIN A MINIMUM OF 15 in. (381 mm) BETWEEN THE TOP OF THE EXHAUST ELBOW AND THE WATERLINE OF THE BOAT AT MAXIMUM RATED LOAD.
  - (3) DIMENSIONS APPLY TO POINT OF INTERSECTION OF OUTPUT SHAFT CENTERLINE AND OUTPUT FLANGE FACE.
  - (4) DIMENSIONS TO SEA WATER PUMP INLET.
  - (5) BASE OF MOUNT TO BE PARALLEL TO STRINGER. MOUNTS SHOWN AT CENTER OF ADJUSTMENT.

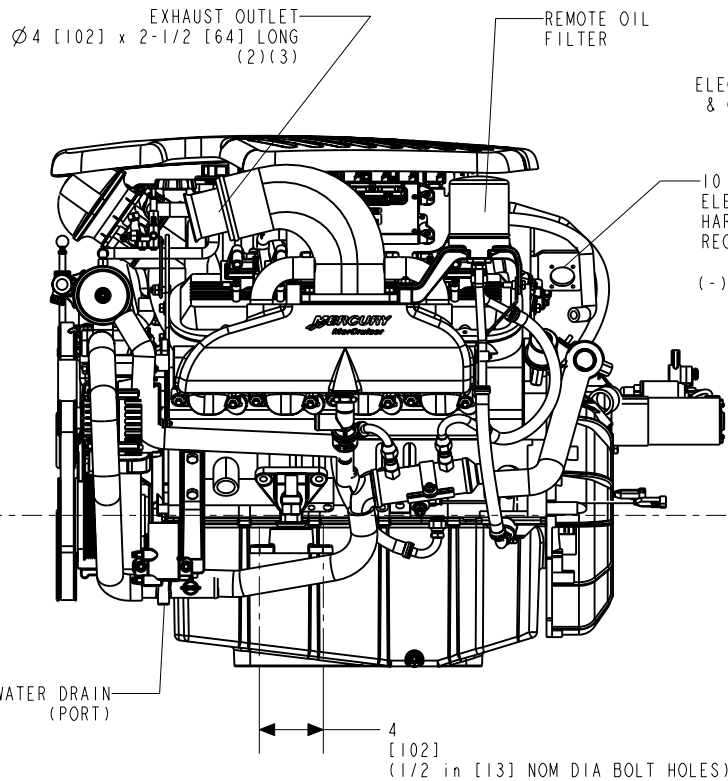
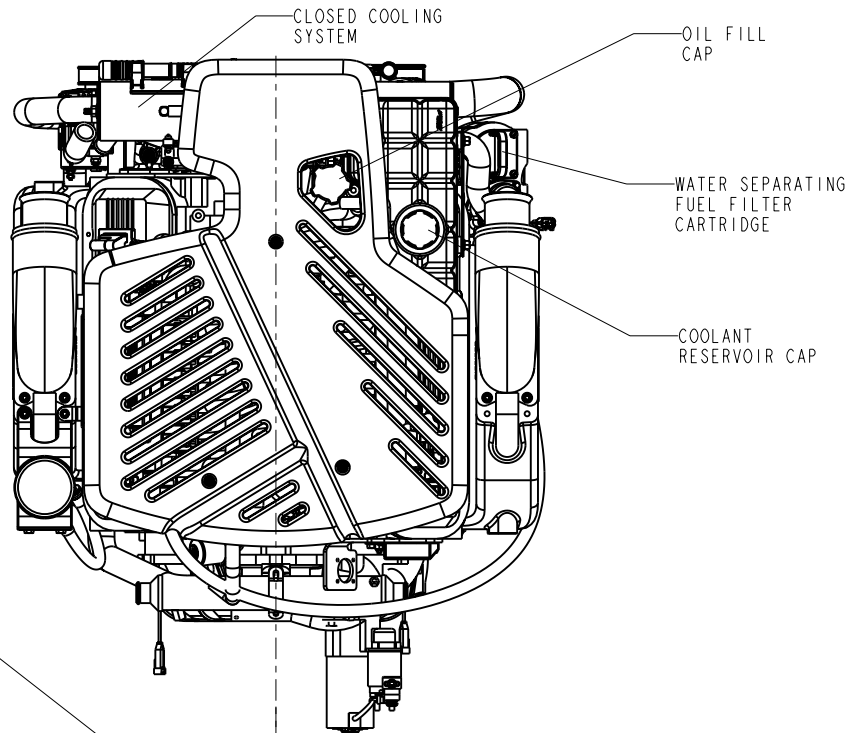
**DRW81-006 SHEET 2 OF 2**  
**8.15 WITH VELVET DRIVE 72C**  
**REMOTE V-DRIVE TRANSMISSION**

UNIT OF MEASURE  
 in. (mm)

SCALE  
 1" = 1'  
 25.4 mm = 305 mm

**NOTES:**

- (1) DIMENSIONS REQUIRE A MINIMUM OF 1/2 in. (13 mm) CLEARANCE FOR MOTOR MOUNT DEFLECTION.
- (2) SELECT THE APPROPRIATE EXHAUST RISE-HEIGHT TO MAINTAIN A MINIMUM OF 15 in. (381 mm) BETWEEN THE TOP OF THE EXHAUST ELBOW AND THE WATERLINE OF THE BOAT AT MAXIMUM RATED LOAD.
- (3) DIMENSIONS APPLY TO POINT OF INTERSECTION OF OUTPUT SHAFT CENTERLINE AND OUTPUT FLANGE FACE.
- (4) DIMENSIONS TO SEA WATER PUMP INLET.
- (5) BASE OF MOUNT TO BE PARALLEL TO STRINGER. MOUNTS SHOWN AT CENTER OF ADJUSTMENT.



14 PIN ELECTRICAL HARNESS RECEPTACLE

ELECTRICAL BRACKET & CIRCUIT BREAKER

10 PIN ELECTRICAL HARNESS RECEPTACLE

(-) BATTERY TERMINAL CONNECTION

CRANKSHAFT

