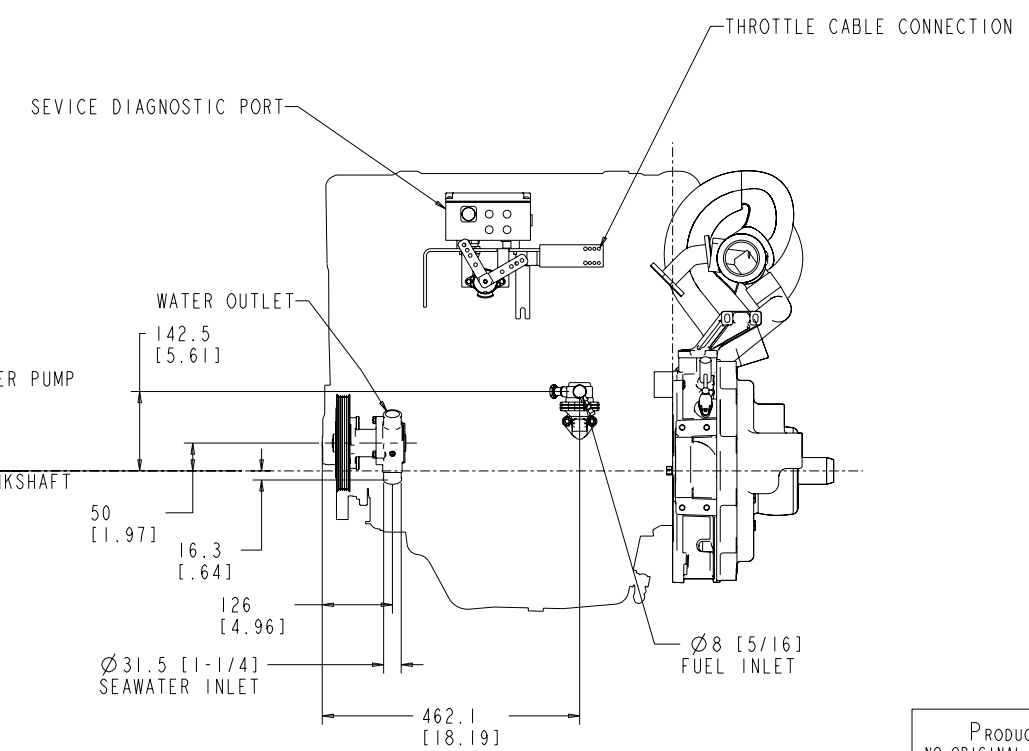
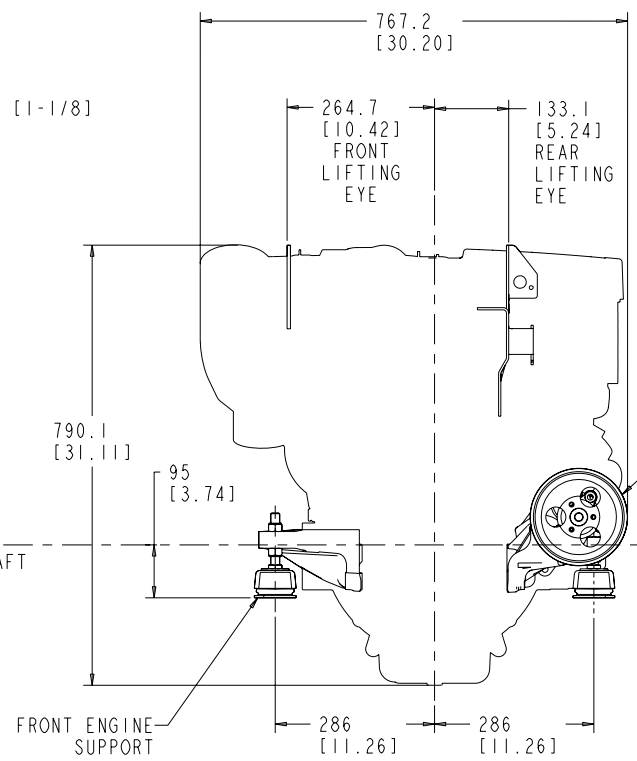
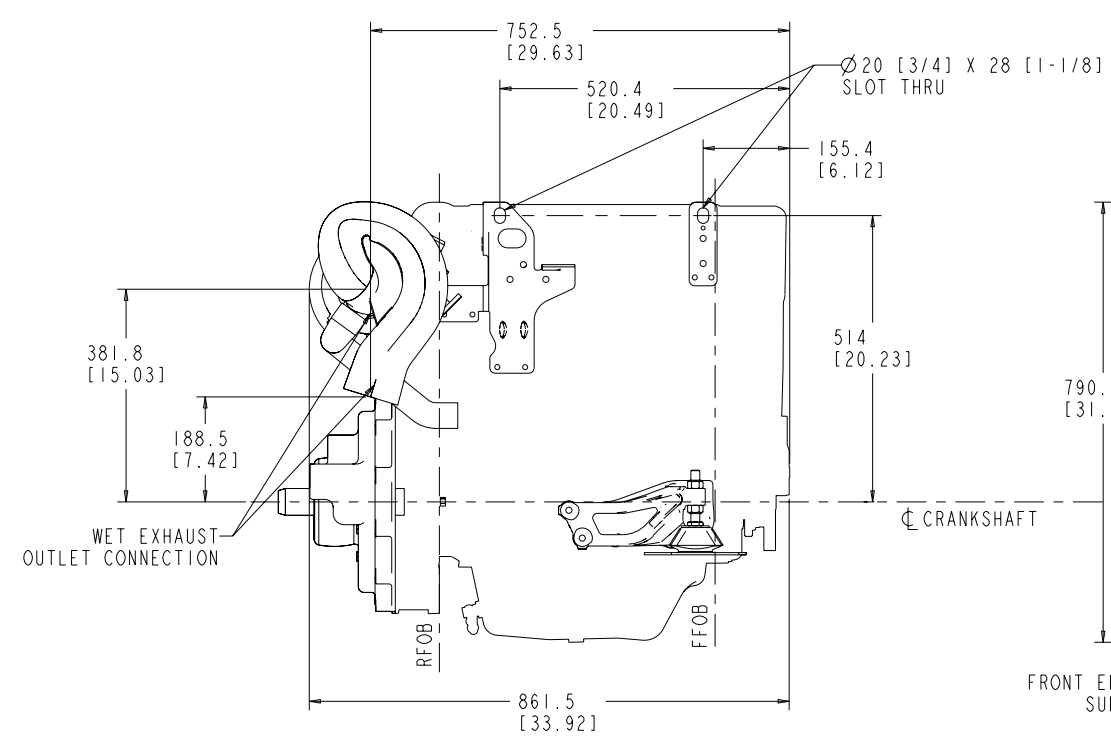
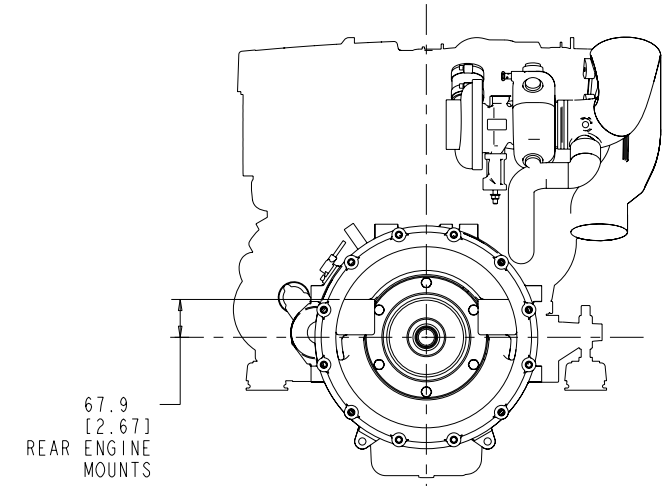
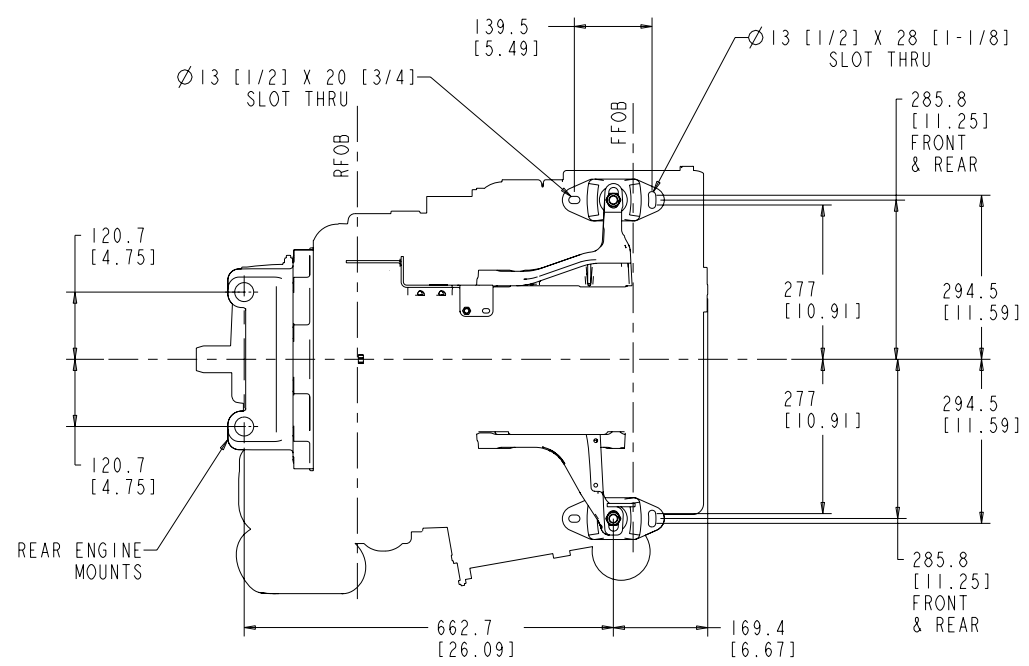


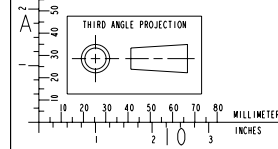
ITEM NUMBER
90-865821

REVISED		APP'D
ZONE	REV	DESCRIPTION
01	REVISED	



INSTALLATION CONNECTIONS

PRODUCT GRAPHICS FILE
NO ORIGINAL DRAWING EXISTS FOR THIS ITEM. THE ENGINEERING GRAPHICS DATA FOR THIS ITEM RESIDES IN THE PRODUCT GRAPHICS FILE AND IS CONTROLLED BY THE AGENCY DESIGNATED AS HAVING ITEM CONTROL.

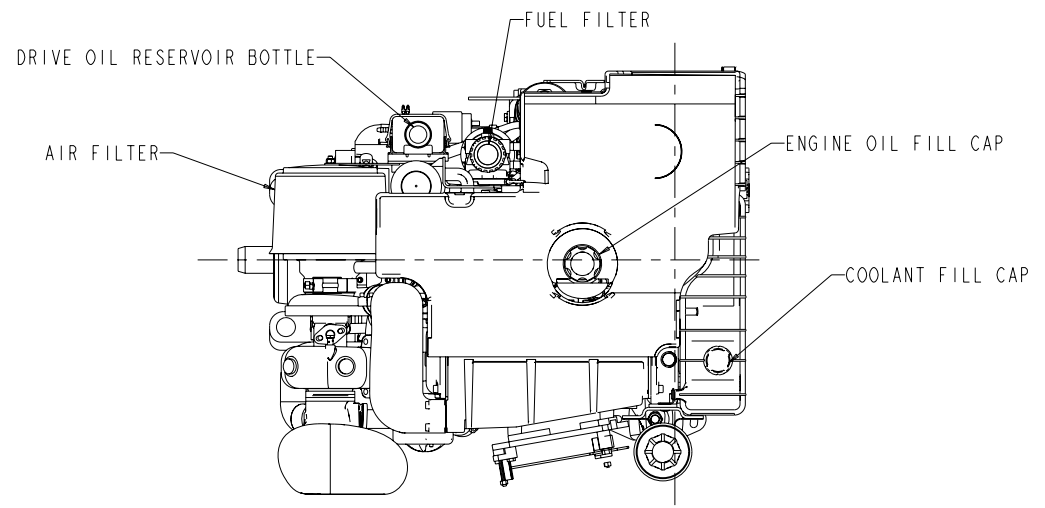


DO NOT SCALE THIS DRAWING
THIS DRAWING/DATA FILE (AND THE INFORMATION SHOWN THEREON) IS CONFIDENTIAL AND PROPRIETARY AND SHALL NOT BE USED, DISCLOSED TO OTHERS, OR REPRODUCED BY ANY MEANS FOR ANY PURPOSE IN HARD COPY FORM OR IN MACHINE READABLE FILES, WITHOUT WRITTEN CONSENT OF CUMMINS INC., MARKETING CAD SERVICES DEPARTMENT.

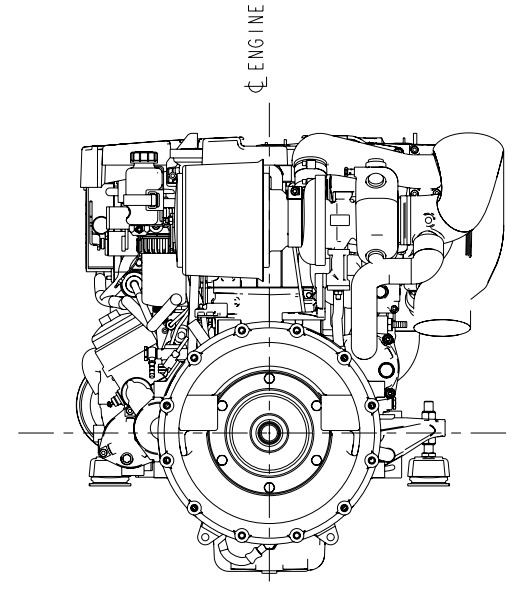
LAST SECTION LETTER USED: A	REF. DRAWING STANDARDS: ANSI Y14.5M ISO 81101	CUMMINS INC.
UNLESS OTHERWISE SPECIFIED DIMENSIONS ARE IN: MILLIMETERS () ARE IN: INCHES	ITEM NAME 2.8ES (170,200)	IDENTIFIER
DWN: D. SOMVIN CHD: UNCHECKED APPD:	SCALE: 2:1	ITEM NUMBER 90-865821
		ITEM CONTROL: MCS SHEET 1 OF 2

ITEM NUMBER
90-865821

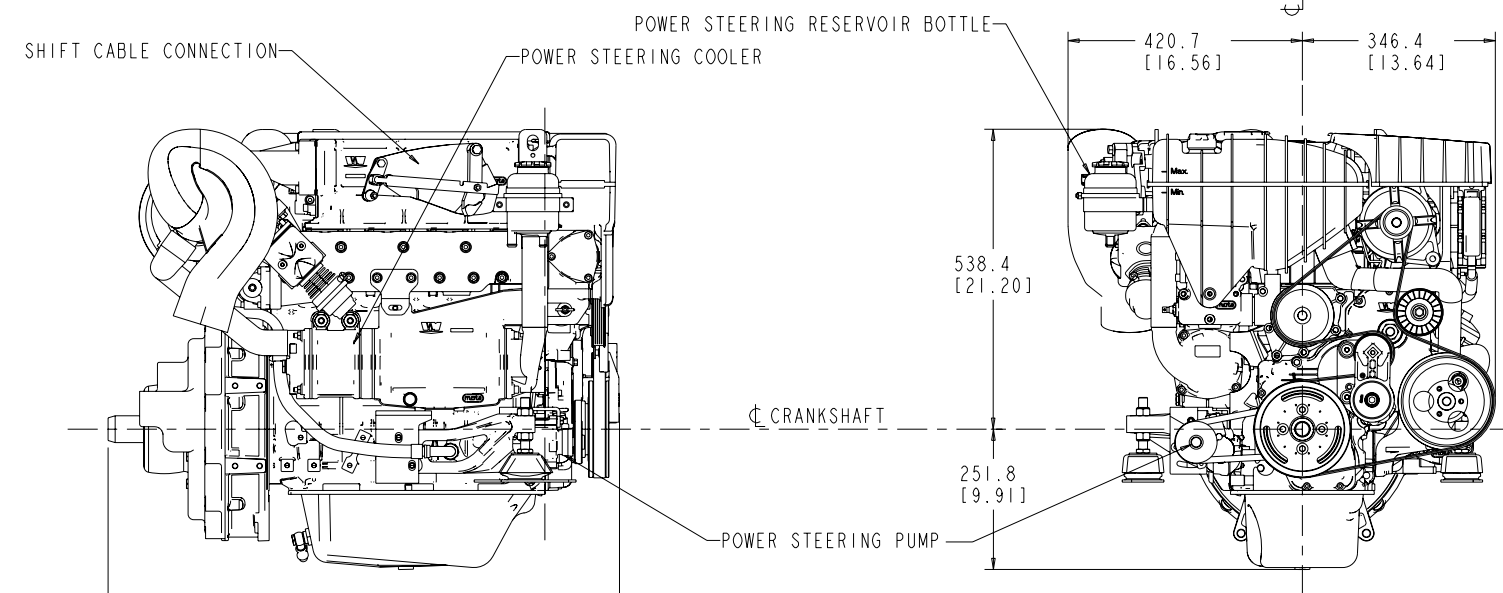
REVISIONS			
ZONE	REV	DESCRIPTION	APP'D
01	REVISED		



TOP VIEW

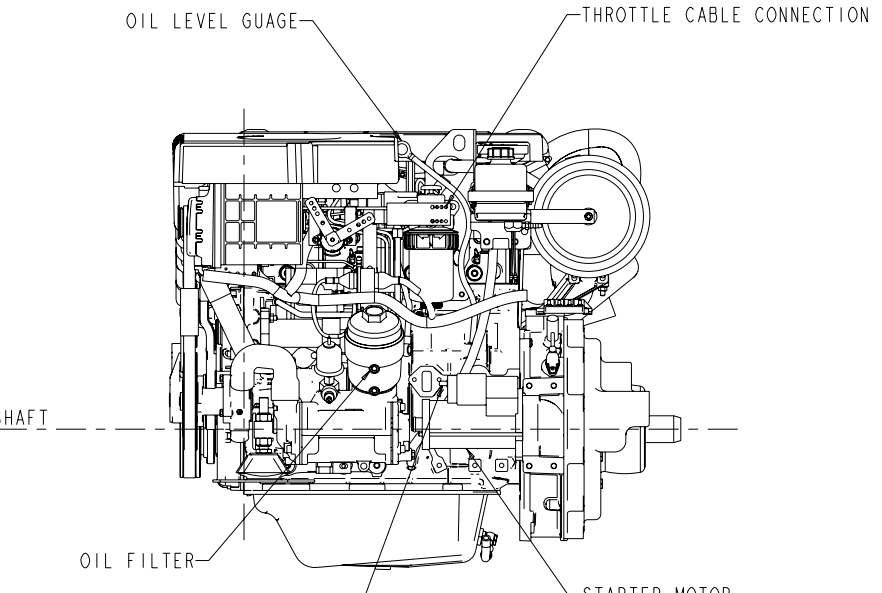


REAR VIEW



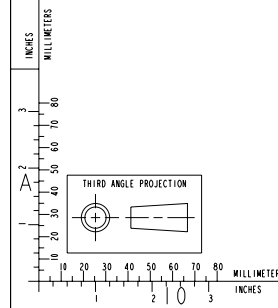
STARBOARD VIEW

FRONT VIEW



PORT VIEW

SERVICE PORTS



DO NOT SCALE THIS DRAWING
THIS DRAWING/DATA FILE (AND THE INFORMATION SHOWN THEREON) IS CONFIDENTIAL AND PROPRIETARY AND SHALL NOT BE USED, DISCLOSED TO OTHERS, OR REPRODUCED BY ANY MEANS FOR ANY PURPOSE IN HARD COPY FORM OR IN MACHINE READABLE FILES, WITHOUT WRITTEN CONSENT OF CUMMINS INC., MARKETING CAD SERVICES DEPARTMENT.

PRODUCT GRAPHICS FILE
NO ORIGINAL DRAWING EXISTS FOR THIS ITEM. THE ENGINEERING GRAPHICS DATA FOR THIS ITEM RESIDES IN THE PRODUCT GRAPHICS FILE AND IS CONTROLLED BY THE AGENCY DESIGNATED AS HAVING ITEM CONTROL.

LAST SECTION LETTER USED: A	REF. DRAWING STANDARDS: ANSI Y14.5M ISO 81101	CUMMINS INC.	
UNLESS OTHERWISE SPECIFIED DIMENSIONS ARE IN: MILLIMETERS () ARE IN: INCHES	ITEM NAME 2.8ES (170,200)	IDENTIFIER	
DWN: D. SOMIN CHD: UNCHECKED APPD:	SCALE: 2:1	ITEM CONTROL: MCS	ITEM NUMBER 90-865821 SHEET 2 OF 2