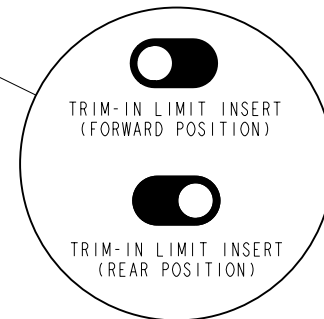
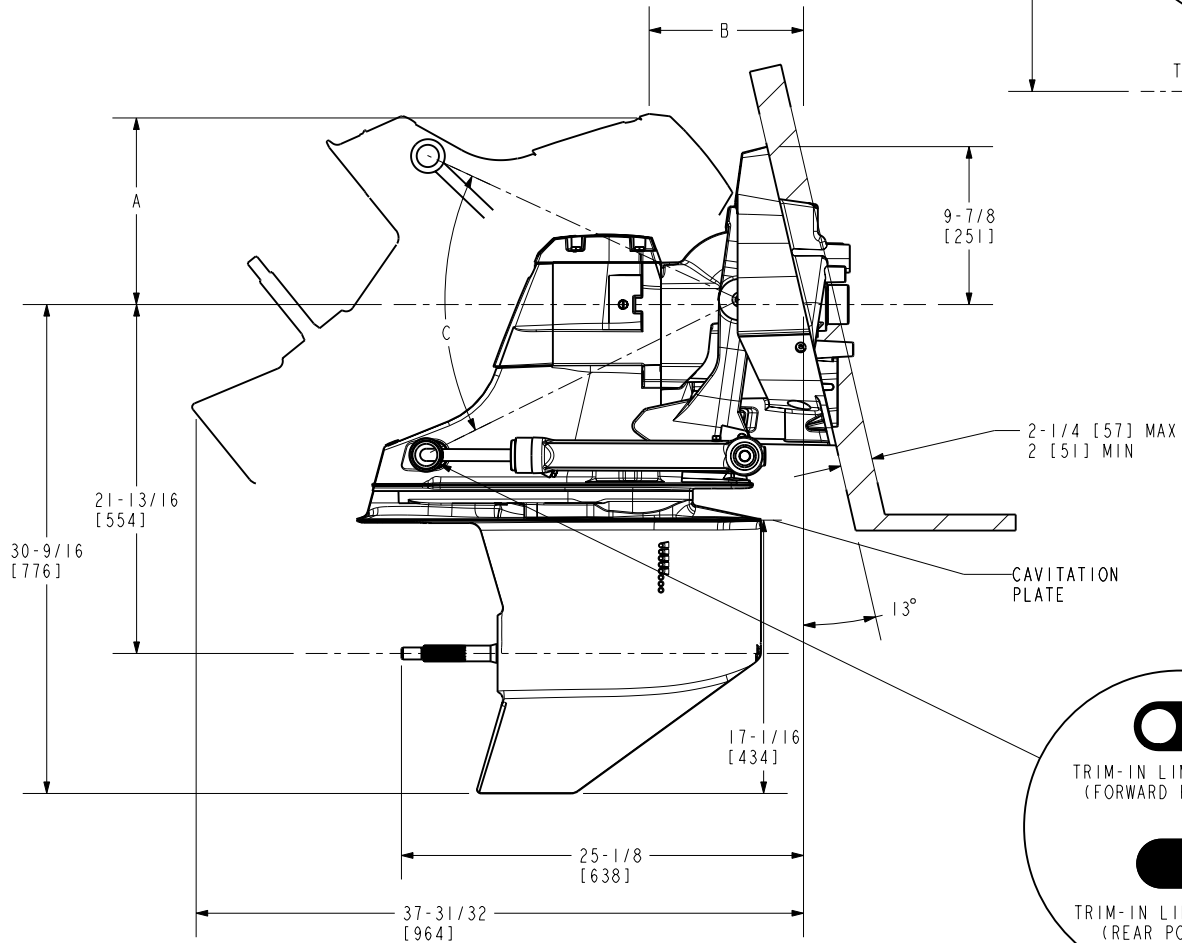
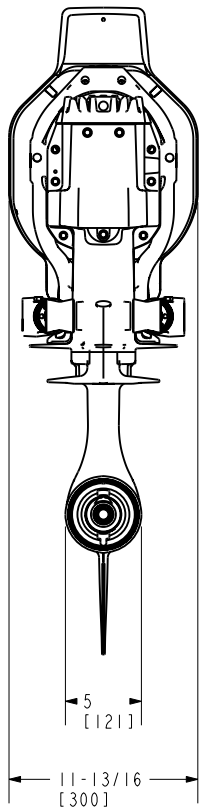
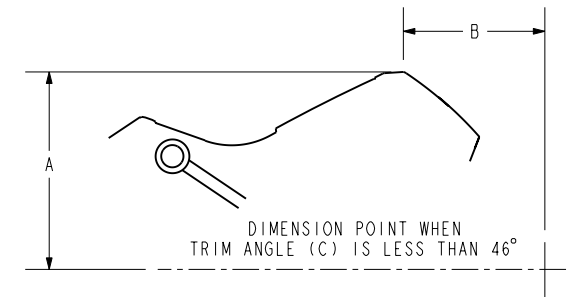
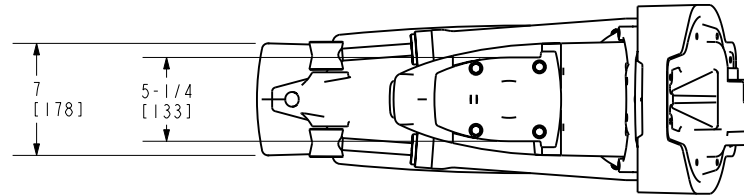


	.62" TILT-UP LIMIT SPACERS	A	B	C (MAX)
WITH TRIM-IN LIMIT INSERT IN REAR POSITION	0	12 [305]	9-9/16 [243]	51°
	1	11-1/2 [292]	10-9/16 [268]	46°
	2	10-15/16 [278]	11-7/16 [291]	41.4°
	.62" TILT-UP LIMIT SPACERS	A	B	C (MAX)
WITH TRIM-IN LIMIT INSERT IN FORWARD POSITION	0	11-1/2 [292]	10-9/16 [268]	46°
	1	10-15/16 [277]	11-7/16 [291]	41.3°
	2	10-5/16 [262]	12-1/4 [311]	36.8°

UNIT OF MEASURE
in. (mm)

SCALE APROX.
1" = 1'
25.4mm = 304 mm



WITH TRIM-IN LIMIT INSERT IN REAR POSITION	.62" TILT-UP LIMIT SPACERS	A	B	C (MAX)
	0	11-15/16 [303]	9-11/16 [246]	51°
	1	11-3/8 [289]	10-11/16 [271]	46°
	2	10-7/8 [276]	10-1/4 [260]	41.3°

WITH TRIM-IN LIMIT INSERT IN FORWARD POSITION	.62" TILT-UP LIMIT SPACERS	A	B	C (MAX)
	0	11-3/8 [289]	10-11/16 [271]	46°
	1	10-7/8 [276]	10-1/4 [260]	41.3°
	2	10-3/8 [263]	11-1/16 [281]	36.8°

UNIT OF MEASURE
in. (mm)

SCALE APPROX.
1" = 1'
25.4mm = 304 mm