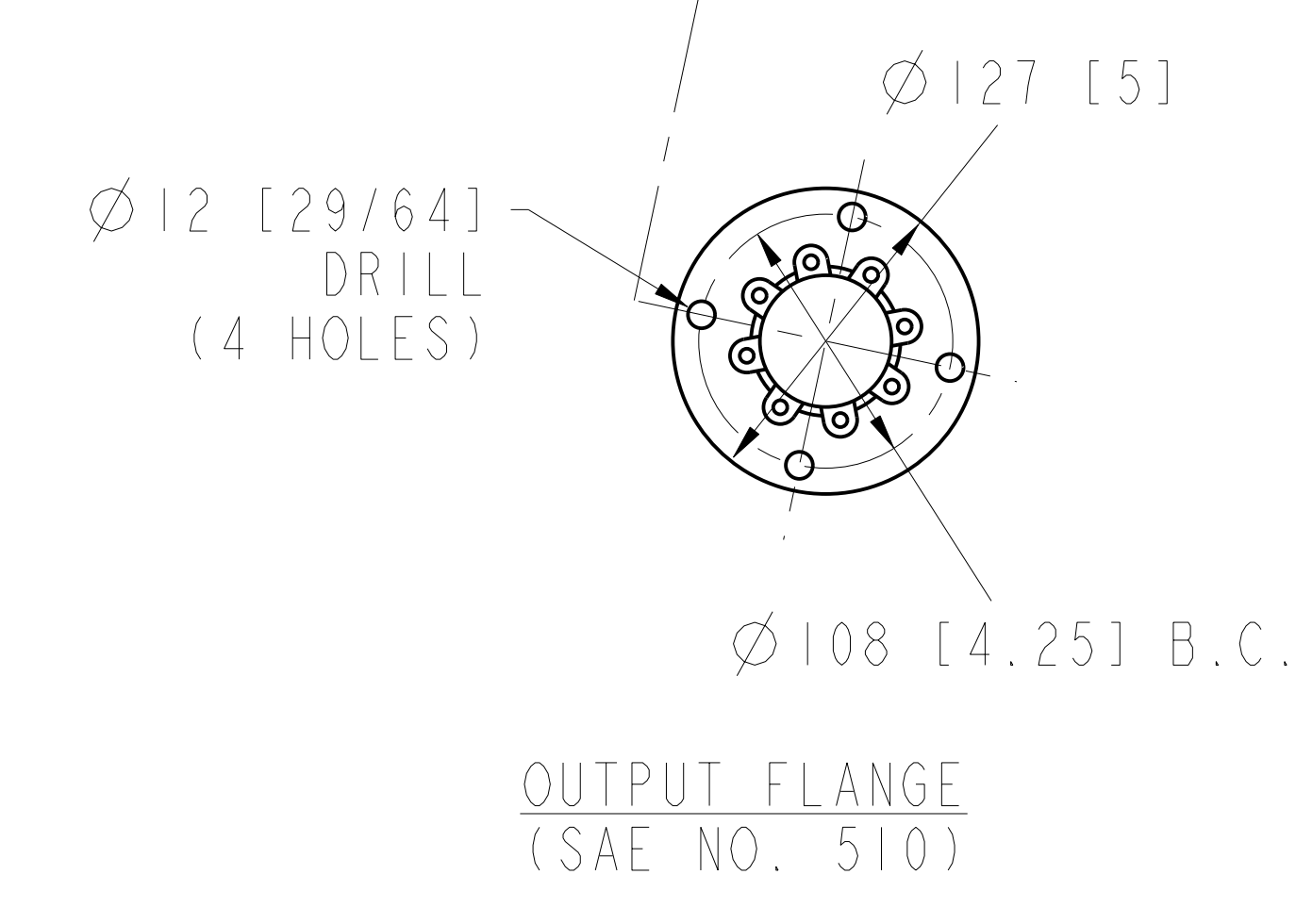
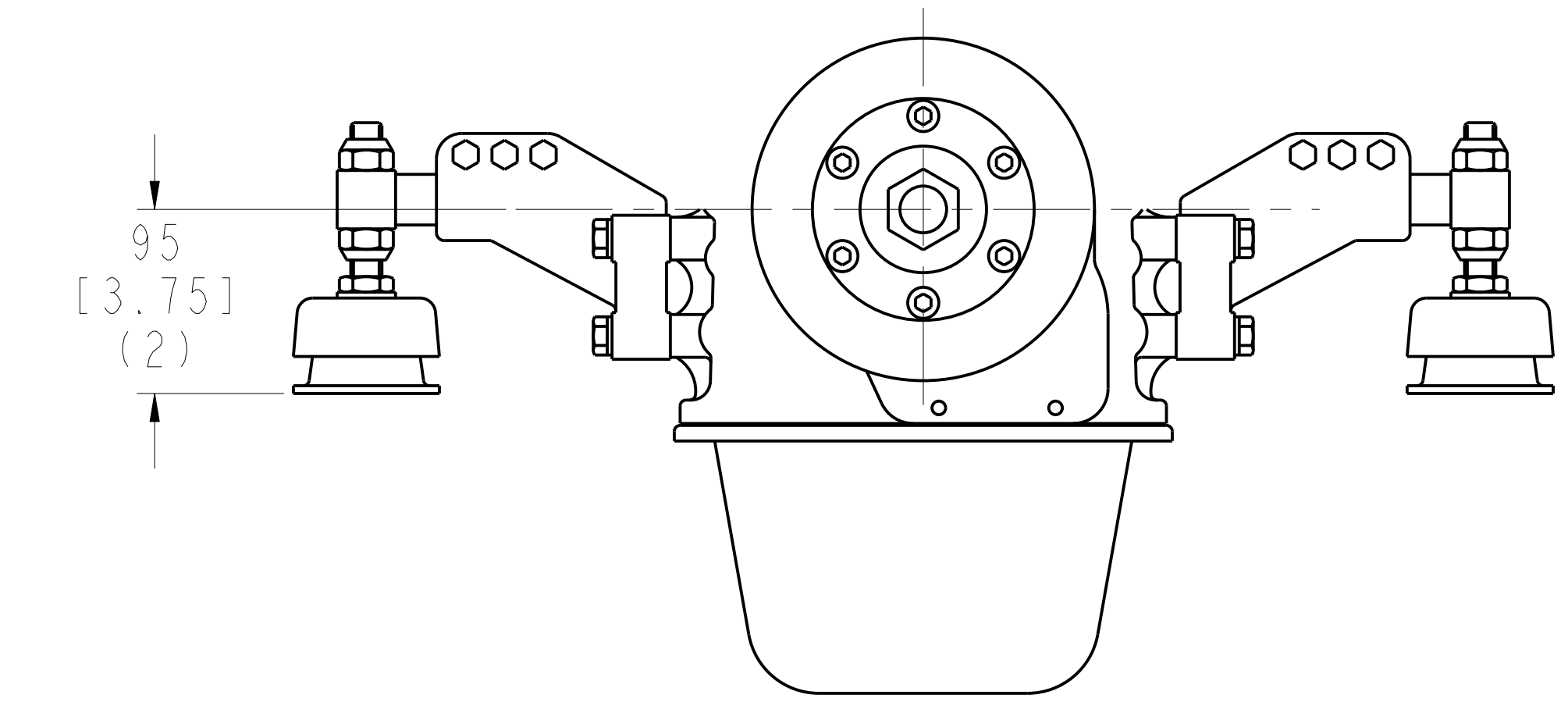
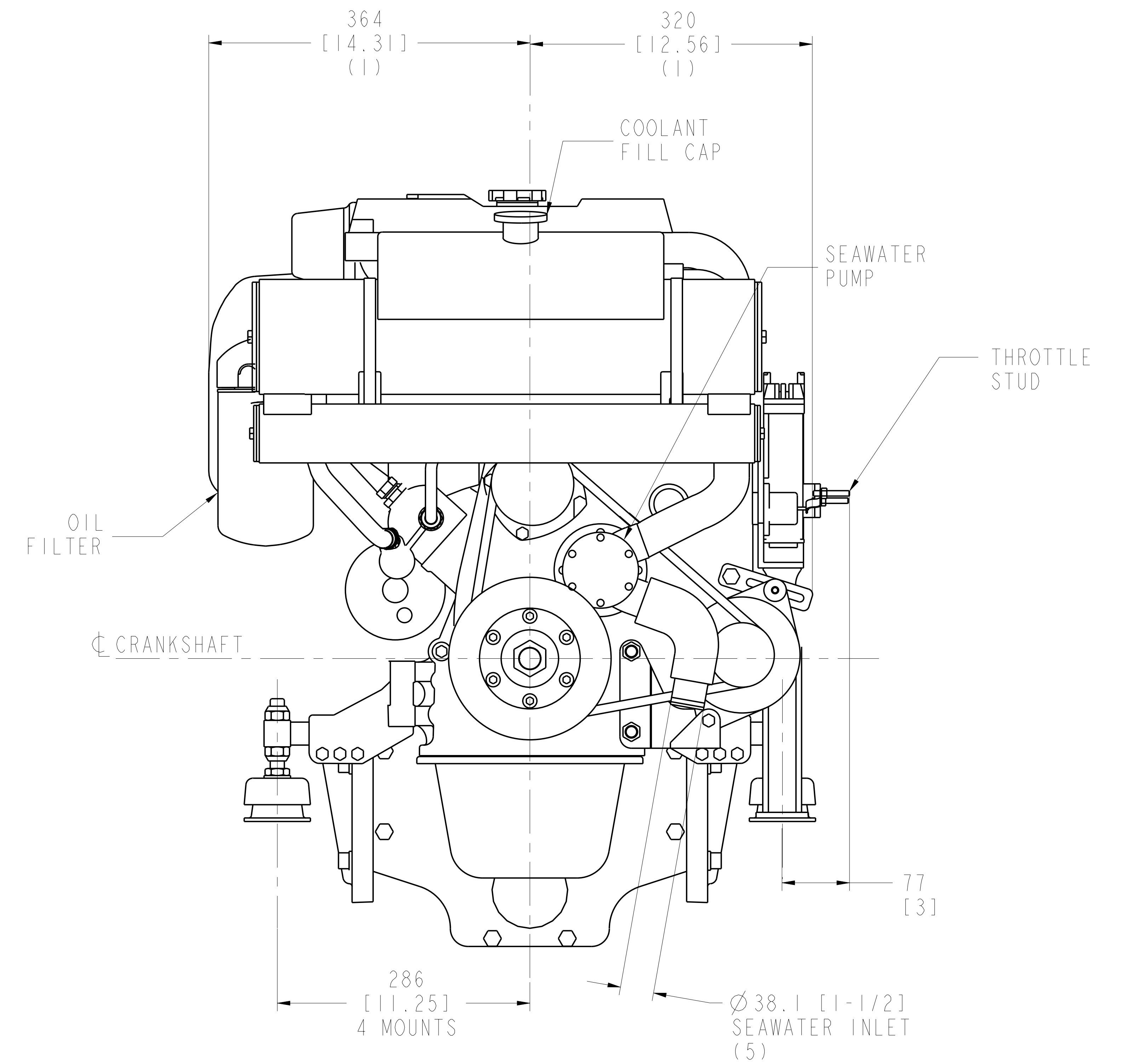
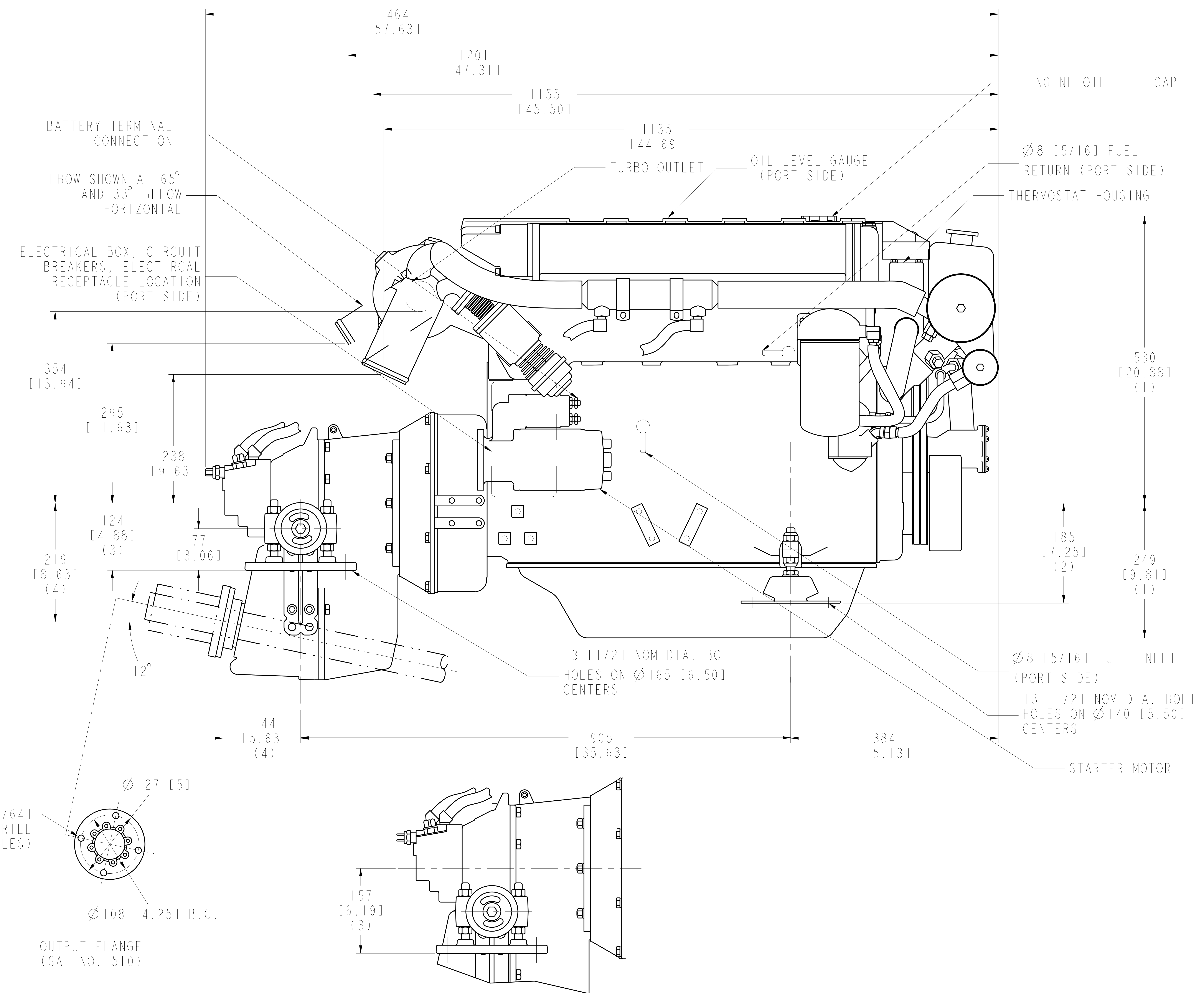


NOTES:

1. DIMENSIONS REQUIRE A MINIMUM 13mm [1/2] CLEARANCE FOR MOTOR MOUNT DEFLECTION.
2. FRONT MOUNTS ADJUST 8mm [5/16] UP OR DOWN.
3. REAR MOUNTS ADJUST 10mm [3/8] UP OR DOWN.
4. DIMENSIONS APPLY TO POINT OF INTERSECTION OF OUTPUT SHAFT CENTERLINE AND OUTPUT FLANGE FACE.
5. SECURE SEAWATER HOSE INLET AWAY FROM ALTERNATOR BELT.
6. SHOWN WITH ZF63IV TRANSMISSION.
7. NUMBERS INSIDE BRACKETS ARE IN INCHES.



PRODUCT GRAPHICS FILE
NO ORIGINAL ENGINEERING EXISTS FOR THIS ITEM. THE ENGINEERING GRAPHICS DATA FOR THIS ITEM RESIDES IN THE PRODUCT GRAPHICS FILE AND IS CONTROLLED BY THE AGENCY DESIGNATED AS HAVING ITEM CONTROL.

DO NOT SCALE THIS DRAWING
THIS DRAWING/DATA FILE (AND THE INFORMATION SHOWN THEREON) IS CONFIDENTIAL AND PROPRIETARY AND SHALL NOT BE USED, DISCLOSED TO OTHERS, OR REPRODUCED BY ANY MEANS FOR ANY PURPOSE IN HARD COPY FORM OR IN MACHINE READABLE FILES, WITHOUT WRITTEN CONSENT OF CUMMINS INC., MARKETING CAD SERVICES DEPARTMENT.

LAST SECTION LETTER USED: --	REF. DRAWING STANDARDS: ANSI Y14.5M ISO R1101	CUMMINS INC.	
UNLESS OTHERWISE SPECIFIED DIMENSIONS ARE IN: MM () ARE IN: ()	ITEM NAME: MerCruiser 4.2 E1250	INSTALLATION DIAGRAM	
DWN: D. SOMIN 09-18-03	SIZE CODE IDENT. NO. ITEM NUMBER: J 90-862723	SCALE: N/A ITEM CONTROL: MCS SHEET 1 OF 1	
CND: UNCHECKED			
APPD: --			

