

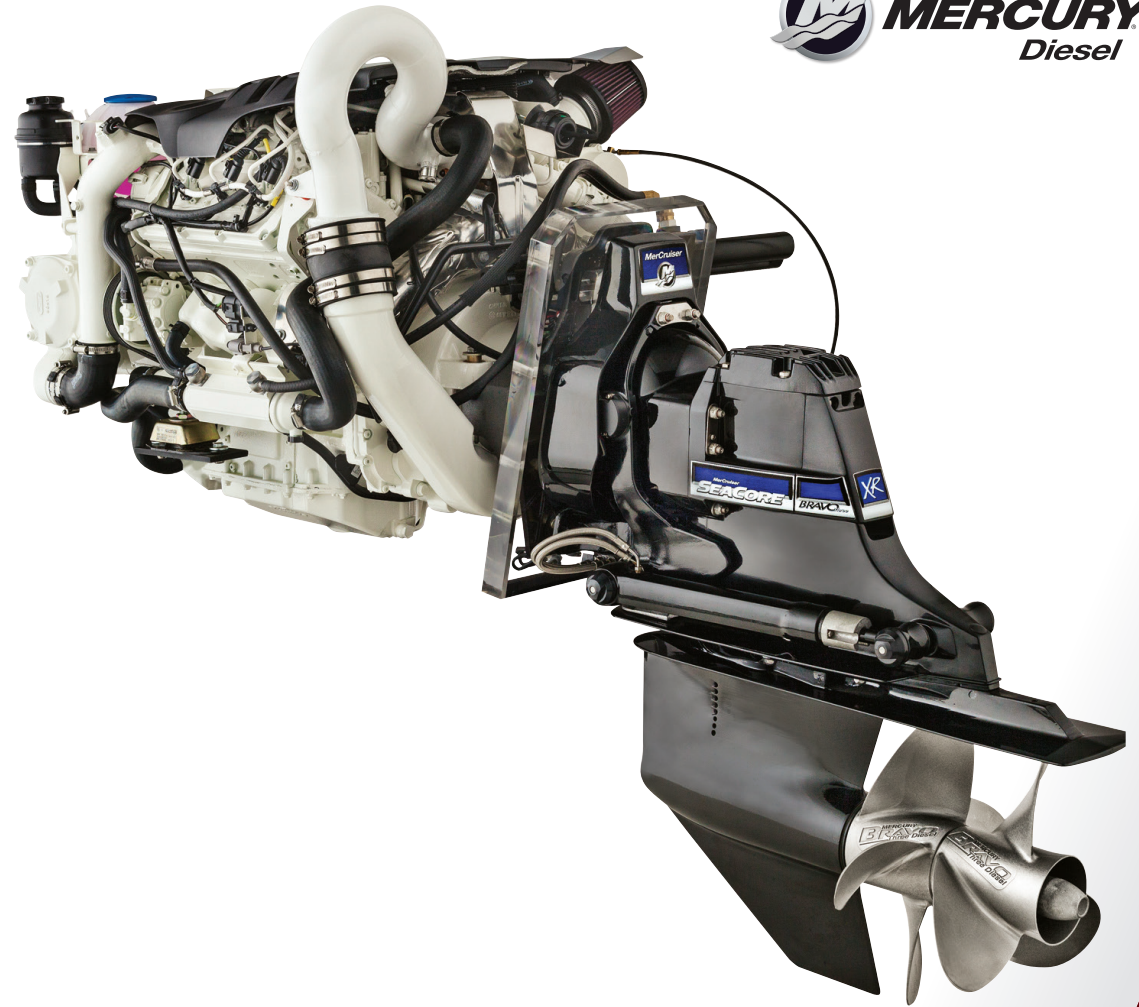
# TDI 3.0L V-6

## Compact and Efficient

This engine provides high power density in a compact light weight package. The variable geometry turbo provides peak torque at 2000 rpm, resulting in reduced time to plane and outstanding overall operating characteristics. This powerful compact package can fit in virtually any installation.

Built on a proven platform and boasting additional power options, the latest Mercury Diesel TDI engines are fully Mercury SmartCraft-compatible, allowing boaters to access dozens of engine, boat and navigation functions with Mercury's extensive selection of SmartCraft digital gauges and multi-function displays.

SmartCraft compatibility also enables boaters to specify optional Digital Throttle & Shift (DTS) control systems and Mercury Axis Joystick docking control.



## Features

### Engine

- Aluminum cylinder heads
- CGI-450 cylinder block
- Light weight, high strength with max heat transfer for optimal cooling
- Block, 90-degree V6

### Lubrication System

- Chain-driven oil pump
- Glycol-cooled oil cooler
- Self-draining oil filter for clean filter changes

### Fuel System

- TDI technology
- Common rail fuel injection for precise fuel control
- Piezo injectors

### Electrical System

- 12 volt system and 180 A alternator

### Cooling System

- Thermostat controlled
- Closed-coolant engine for corrosion resistance
- Seawater cooled charge air cooler

### Exhaust System

- Closed cooled manifolds
- Seawater cooled risers

### Turbocharger

- Single turbo charger
- Variable geometry turbine to eliminate turbo lag

### Emissions

- EPA Tier 3 / RCD 2 / IMO 2 / BSO 2

### Noise Level

- 70 dB

### Intake

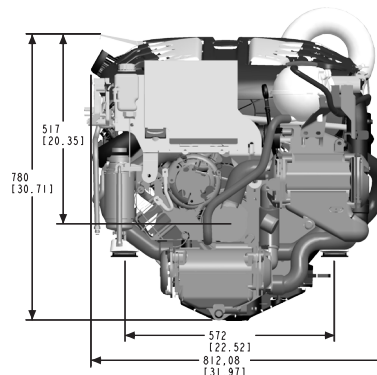
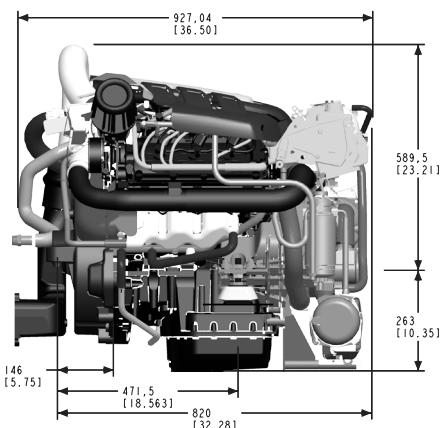
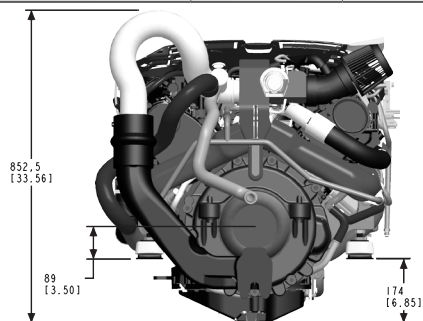
- Cast aluminum single plenum

Model	3.0L 230	3.0L 260
Engine Duty Ratio	Recreational	Recreational
Configuration	6-cylinder, 4-stroke diesel	6-cylinder, 4-stroke diesel
Output (kW/mhp)	169 / 230	191 / 260
Rated RPM	4000	4000
Cylinders	V-6	V-6
Displacement (L/in <sup>3</sup> )	3.0 / 181	3.0 / 181
Bore x Stroke (mm/in)	83.0 x 91.4 / 3.27 x 3.60	83.0 x 91.4 / 3.27 x 3.60
Compression Ratio	17.5	17.5
Max Torque (Nm/ft-lb)	500 / 369 @ 2000 rpm	555 / 409 @ 2000 rpm
Dry Weight (kg/lb)	306 / 675	306 / 675
Propulsion System	Sterndrive and Inboard	Sterndrive and Inboard
Emission Certification	EPA TIER 3 / RCD 2 / IMO 2 / BSO 2	EPA TIER 3 / RCD 2 / IMO 2 / BSO 2

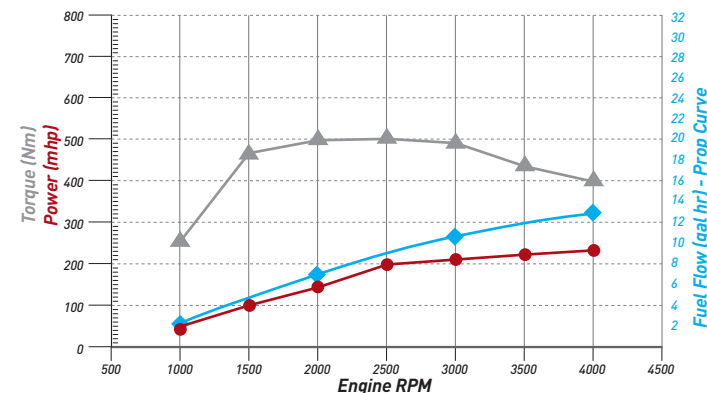
Propulsion System	Model	3.0L 230	3.0L 260	Weight (kg/lb)
Sterndrive*	Bravo One X	1.36:1 / 1.50:1 / 1.65:1	1.36:1 / 1.50:1 / 1.65:1	100 / 220
	Bravo Two X	1.50:1 / 1.65:1 1.81:1 / 2.00:1 / 2.20:1	1.50:1 / 1.65:1 / 1.81:1 / 2.00:1 / 2.20:1	105 / 231
	Bravo Three X	1.36:1 / 1.50:1 / 1.65:1 1.81:1 / 2.00:1 / 2.20:1	1.36:1 / 1.50:1 / 1.65:1 1.81:1 / 2.00:1 / 2.20:1	109 / 240
	Bravo One XR	1.36:1 / 1.50:1	1.36:1 / 1.50:1	100 / 220
	Bravo Two XR	1.65:1	1.65:1	105 / 231
	Bravo Three XR	1.65:1 / 1.81:1 / 2.00:1	1.65:1 / 1.81:1 / 2.00:1	109 / 240
Inboard	ZF 45	3.03:1	3.03:1	60 / 132
	ZF 45A	1.25:1 / 1.51:1 2.03:1 / 2.43:1	-	28 / 62
	ZF 63	1.75:1 / 2.78:1	-	46 / 103
	ZF 63A	1.216:1 / 1.56:1 2.03:1 / 2.52:1 / 2.68:1	1.216:1 / 1.56:1 / 2.03:1 / 2.52:1 / 2.68:1	44 / 97
	ZF 63IV	1.56:1 / 1.99:1	1.29:1 / 1.56:1 / 1.99:1	62 / 136

\*Weights reflect sterndrive & transom

Dimensions	3.0L 230	3.0L 260
Length (mm/in)	927 / 36.5	927 / 36.5
Width (mm/in)	835 / 33.0	835 / 33.0
Height (mm/in)	853 / 33.6	853 / 33.6
Weight (kg/lb)	306 / 675	306 / 675

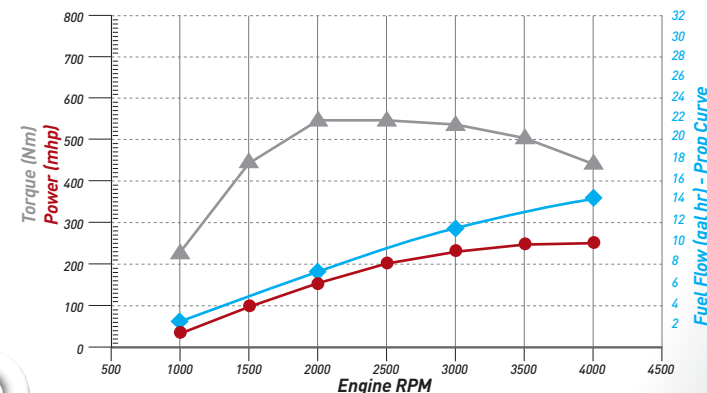


### 3.0L 230



TDI 3.0L 230			
RPM	Torque (Nm/ft-lb)	Power (kW/mhp)	Fuel Flow (l/hr / gal/hr)
1000	264 / 195	28 / 38	8.8 / 2.3
2000	502 / 370	105 / 143	27 / 7.1
3000	489 / 361	154 / 209	40.3 / 10.7
4000	401 / 296	167 / 228	47.7 / 12.6

### 3.0L 260



3.0L 260			
RPM	Torque (Nm/ft-lb)	Power (kW/mhp)	Fuel Flow (l/hr / gal/hr)
1000	234 / 173	24 / 33	7.8 / 2.1
2000	551 / 407	115 / 156	29.3 / 7.7
3000	534 / 394	168 / 228	43.4 / 11.5
4000	450 / 332	189 / 256	54 / 14.3

Dimension specifications subject to change without notice.