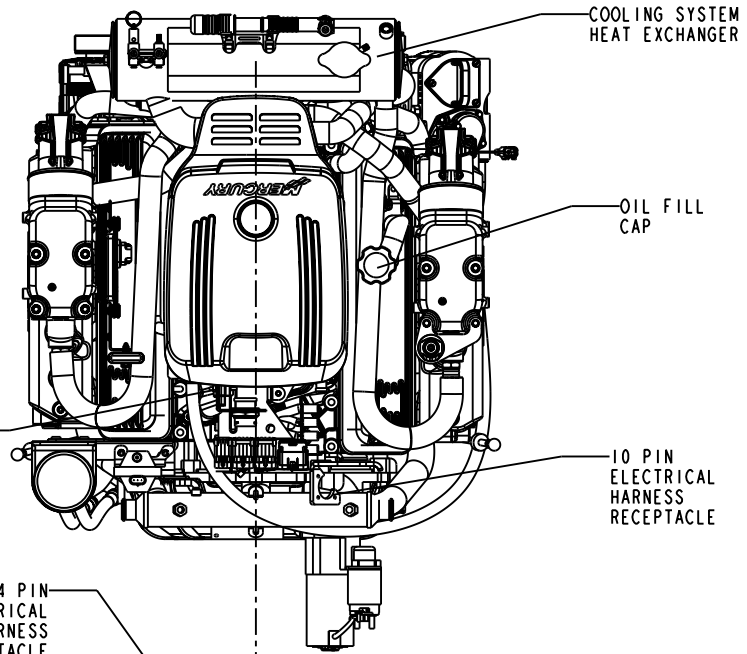


DRW57-021 SHEET 1 OF 4 350 MAG MPI HORIZON / MX 6.2L MPI HORIZON WITH ZF 631V V-DRIVE TRANSMISSION	UNIT OF MEASURE in. (mm)	SCALE 1" = 1' 25.4 mm = 305 mm
NOTES: (1) DIMENSIONS REQUIRE A MINIMUM OF 1/2 in. (13 mm) CLEARANCE FOR MOTOR MOUNT DEFLECTION. (2) SELECT THE APPROPRIATE EXHAUST RISE-HEIGHT TO MAINTAIN A MINIMUM OF 13 in. (330 mm) BETWEEN THE TOP OF THE EXHAUST ELBOW AND THE WATERLINE OF THE BOAT AT MAXIMUM RATED LOAD. (3) DIMENSIONS APPLY TO POINT OF INTERSECTION OF OUTPUT SHAFT CENTERLINE AND OUTPUT FLANGE FACE. (4) DIMENSIONS TO SEA WATER PUMP INLET. (5) BASE OF MOUNT TO BE PARALLEL TO STRINGER. MOUNTS SHOWN AT CENTER OF ADJUSTMENT.		

NOTES:

- (1) DIMENSIONS REQUIRE A MINIMUM OF 1/2 in. (13 mm) CLEARANCE FOR MOTOR MOUNT DEFLECTION.
- (2) SELECT THE APPROPRIATE EXHAUST RISE-HEIGHT TO MAINTAIN A MINIMUM OF 13 in. (330 mm) BETWEEN THE TOP OF THE EXHAUST ELBOW AND THE WATERLINE OF THE BOAT AT MAXIMUM RATED LOAD.
- (3) DIMENSIONS APPLY TO POINT OF INTERSECTION OF OUTPUT SHAFT CENTERLINE AND OUTPUT FLANGE FACE.
- (4) DIMENSIONS TO SEA WATER PUMP INLET.
- (5) BASE OF MOUNT TO BE PARALLEL TO STRINGER. MOUNTS SHOWN AT CENTER OF ADJUSTMENT.



EXHAUST OUTLET
 $\varnothing 4$ [102] X 2 [51] LONG
 (2)(3)

REMOTE OIL FILTER

ENGINE CONTROL MODULE (ECM)

(-) BATTERY TERMINAL CONNECTION

CRANKSHAFT

14 PIN ELECTRICAL HARNESS RECEPTACLE

26-7/16 [671]
 WITH 6" RISER
 (1)(2)

23-7/16 [595]
 WITH 3" RISER
 (1)(2)

20-3/8 [517]
 (1)(2)

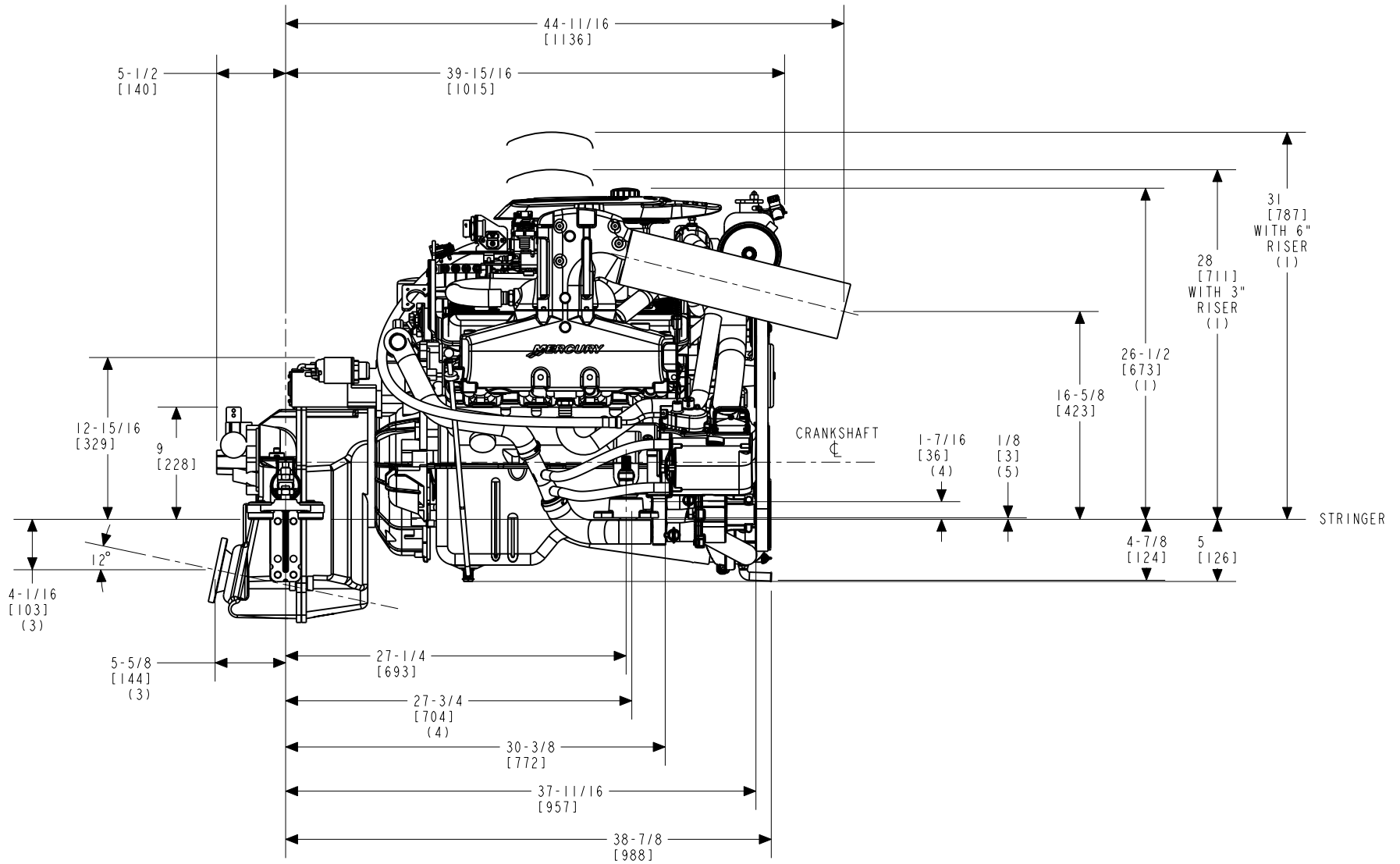
4-3/8 [111]

MOUNTING BRACKETS ADJUST
 1/2 in. [13MM]
 UP OR DOWN

9-9/16 [243]

WATER DRAIN (PORT)

4 [102]
 (1/2 [12] NOM DIA BOLT HOLES)



12° PROPSHAFT ANGLE SHOWN

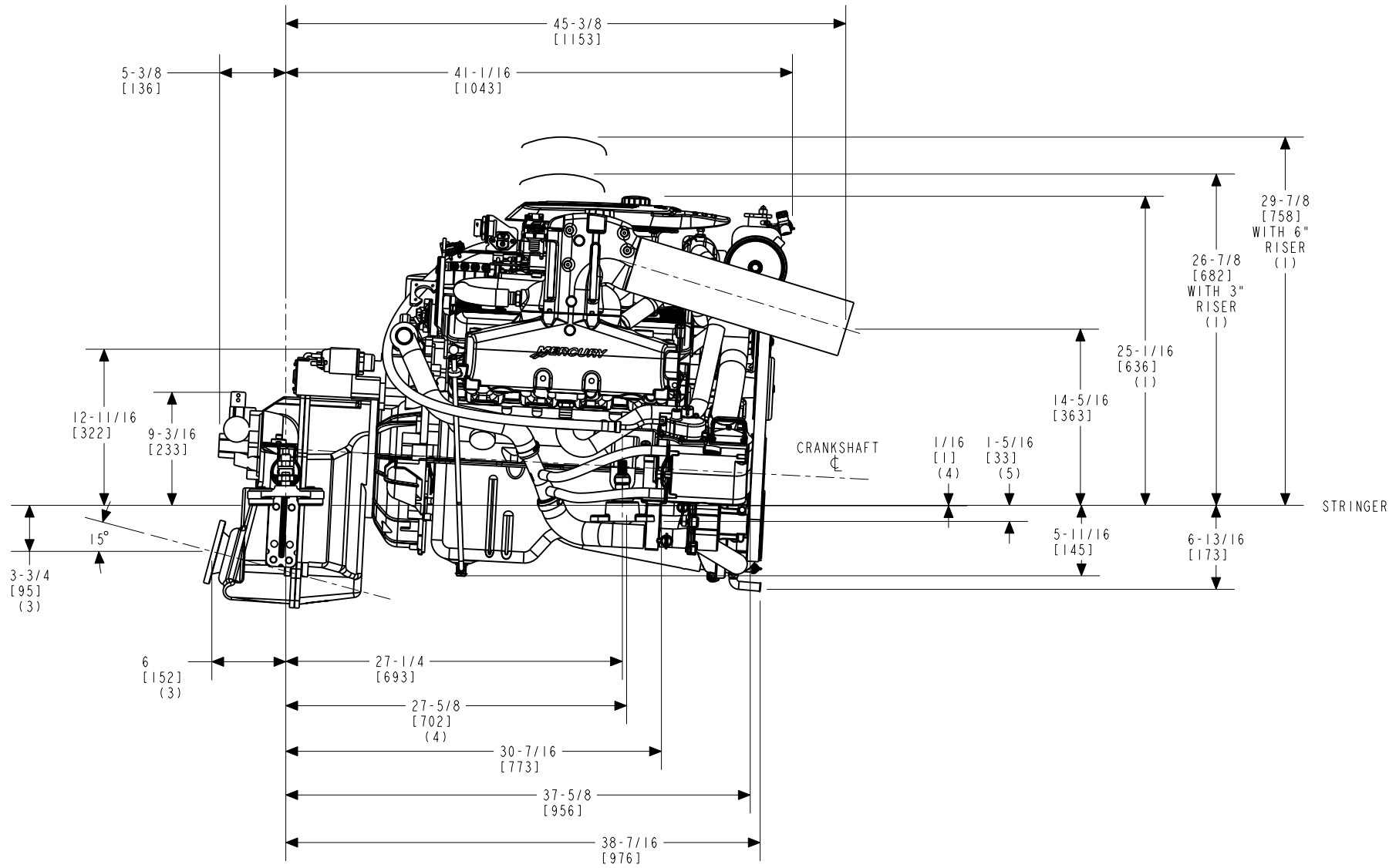
DRW57-021 SHEET 3 OF 4
350 MAG MPI HORIZON / MX 6.2L MPI HORIZON
WITH ZF 63IV V-DRIVE TRANSMISSION

UNIT OF MEASURE
in. (mm)

SCALE
1" = 1'
25.4 mm = 305 mm

NOTES:

- (1) DIMENSIONS REQUIRE A MINIMUM OF 1/2 in. (13 mm) CLEARANCE FOR MOTOR MOUNT DEFLECTION.
- (2) SEE THE INSTALLATION MANUAL FOR EXHAUST SPECIFICATIONS.
- (3) DIMENSIONS APPLY TO POINT OF INTERSECTION OF OUTPUT SHAFT CENTERLINE AND OUTPUT FLANGE FACE.
- (4) DIMENSIONS TO SEA WATER PUMP INLET.
- (5) BASE OF MOUNT TO BE PARALLEL TO STRINGER. MOUNTS SHOWN AT CENTER OF ADJUSTMENT.



15° PROPSHAFT ANGLE SHOWN

<p>DRW57-021 SHEET 4 OF 4 350 MAG MPI HORIZON / MX 6.2L MPI HORIZON WITH ZF 63IV V-DRIVE TRANSMISSION</p>	<p>UNIT OF MEASURE in. (mm)</p>	<p>SCALE 1" = 1' 25.4 mm = 305 mm</p>
<p>NOTES: (1) DIMENSIONS REQUIRE A MINIMUM OF 1/2 in. (13 mm) CLEARANCE FOR MOTOR MOUNT DEFLECTION. (2) SEE THE INSTALLATION MANUAL FOR EXHAUST SPECIFICATIONS. (3) DIMENSIONS APPLY TO POINT OF INTERSECTION OF OUTPUT SHAFT CENTERLINE AND OUTPUT FLANGE FACE. (4) DIMENSIONS TO SEA WATER PUMP INLET. (5) BASE OF MOUNT TO BE PARALLEL TO STRINGER. MOUNTS SHOWN AT CENTER OF ADJUSTMENT.</p>		