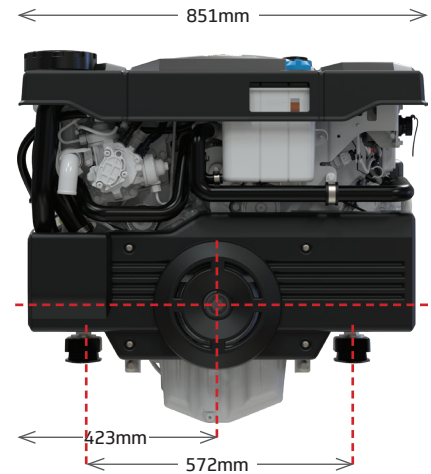
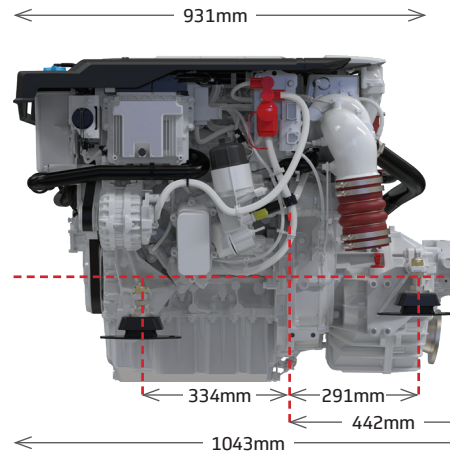


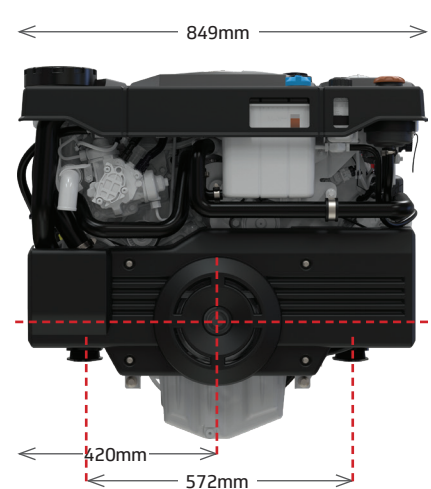
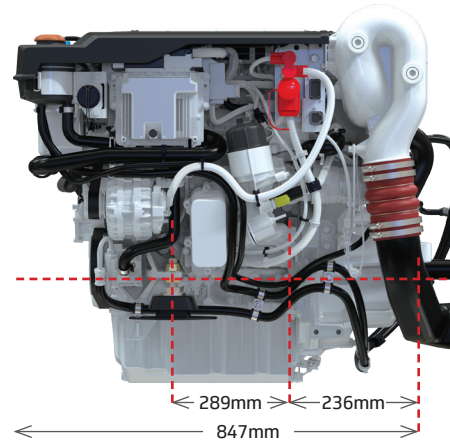
| Specifications | 150 mHP | 230 mHP | 270 mHP |
|--|---|-------------------|-------------------|
| Compression ratio | 16.5:1 | | |
| Fuel pre-filtration requirement | Not required but feasible | | |
| Fuel lift pump | On engine | | |
| High-pressure fuel pump | Bosch CP 4.2 w/ integrated gear lift pump | | |
| Valves per cylinder | 4 | | |
| Pistons | Oil jet cooled | | |
| Fuel injectors | Bosch CRS 2.20 (Solenoid) | | |
| Air inlet (port rear) | Filtered and silenced | | |
| Turbocharger | Honeywell VGT | | |
| Engine and turbocharger cooling | Closed cooled | | |
| Coolers; CAC, oil, fuel and engine | Tube and shell | | |
| Seawater pump/inlet mm (in) | 38 (1.5) | | |
| Peak torque at rpm Nm | 493 Nm @ 2000 rpm | 503 Nm @ 2200 rpm | 594 Nm @ 2200 rpm |
| Oil sump volume | 8.5L | | |
| Dipstick range | 1.0L | | |
| Oil maintenance interval hr | 200 | | |
| Flywheel size mm (in) | 290 (11.42) | | |
| Flywheel housing | SAE 8 | | |
| Electrical system | 12V 110A | | |
| Engine stop | ECU Controlled | | |
| Engine Control Unit (ECU) | Bosch EDC17 | | |
| Throttle and shift | Mercury DTS or mechanical cable | | |
| Helm and gauge compatibility | Mercury SmartCraft | | |
| Mercury Joystick Piloting - Inboard & Sterndrive | Compatible | | |
| Engine and ECU covers | Texture-coated aluminum; protects engine and provides step-capable platform | | |
| Inboard: ZF 68A | 1.21, 1.56, 2.03, 2.52, 2.68 | | |
| Inboard: ZF 68 | 1.25, 1.75, 2.78 | | |
| Inboard: ZF 68IV | 1.29, 1.56, 1.99 | | |
| Inboard: ZF 45C | 1.00 | | |
| Sensors | Crank & cam position, intake manifold pressure/temp, compressor outlet temp, exhaust gas temp, fuel temp, rail pressure, water in fuel (WIF), oil pressure/temp, coolant temp, seawater pressure/temp, atmospheric pressure | | |

| Model | Driveline Options | Output Power | | Fuel Use At Rated Speed L/hr (gal/hr) | Rated Use | Idle Speed (RPM) | Max Rated Engine Speed (RPM) | Emissions Ratings (no after treatment) | | |
|-------|-------------------|--------------|-----|---------------------------------------|-----------|------------------|------------------------------|--|-------|--------|
| | | mHP | kW | | | | | EPA | EU | IMO |
| 150 | Bobtail Inboard | 150 | 110 | 31.5 (8.3) | REC | 650 | 3000 | Tier 3 | RCD 2 | Tier 2 |
| 230 | Bobtail Inboard | 230 | 169 | 49 (12.9) | REC | | 4200 | Tier 3 | | |
| 270 | Bobtail Inboard | 270 | 199 | 55 (14.3) | | | | | | |

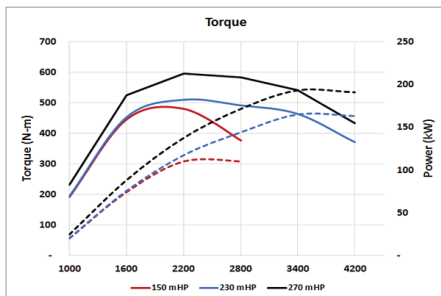
ENGINE DIMENSIONS - INBOARD



ENGINE DIMENSIONS - STERNDRIVE



TORQUE & POWER (full load at crankshaft)



BOAT LOAD FUEL CONSUMPTION

