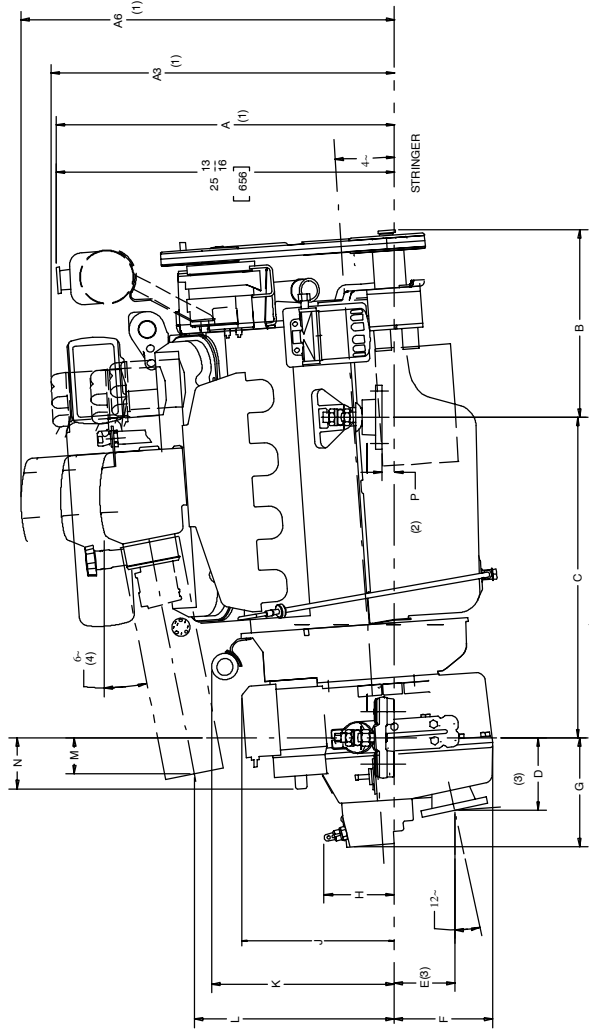


MIE 8.2L MPI with Hurth 630A



MIE 8.2L MPI BLUEWATER WITH (HURTH 630A) DOWN-ANGLE TRANSMISSION

- NOTES:
 (1) Dimensions Require a Minimum 1/2 in. (13mm) Clearance for Motor Mount Deflection.
 (2) Base of Mounts to be Parallel to Stringer, Mounts Shown at Center of Adjustment.
 (3) Dimensions Apply to Point of Intersection of Output Shaft Centerline and Output Flange Face.
 (4) Minimum Angle of Exhaust Drop 6 (1.25 in./ft.) With Boat in Water at Rest.

DIMENSIONS	10~	12~	15~
A STANDARD (1)	24-9/16	25-13/16	27-11/16
A3 (3" RISERS) (1)	25-1/4	26-1/4	27-5/8
A6 (6" RISERS) (1)	27-7/8	28-1/2	29-7/16
B	14-3/16	14-5/16	14-1/2
C	24-1/2	24-7/16	24-3/8
D (3)	5-3/4	5-1/2	5-1/8
E (3)	4-7/16	4-5/8	4-15/16
F (1)	7-1/2	7-1/2	7-1/2
G	8-5/16	8-3/8	8-3/8
H	5-5/8	5-5/16	4-15/16
J	11-1/2	11-9/16	11-3/4
K	13-11/16	13-7/8	14-3/16
L	15-5/16	15-1/4	15-1/16
M	2-5/16	2-3/4	3-3/8
N	3-3/4	3-7/8	4-1/8
O	7/8	7/8	7/8

DIMENSIONS	10~	12~	15~
A STANDARD (1)	624	656	703
A3 (3" RISERS) (1)	642	666	701
A6 (6" RISERS) (1)	708	724	747
B	360	383	368
C	622	621	619
D (3)	147	140	130
E (3)	113	118	125
F (1)	191	191	191
G	211	212	213
H	142	135	125
J	291	294	298
K	348	353	360
L	389	387	383
M	59	70	86
N	95	99	105
O	23	23	23

METRIC
MM.

ENGLISH
IN.