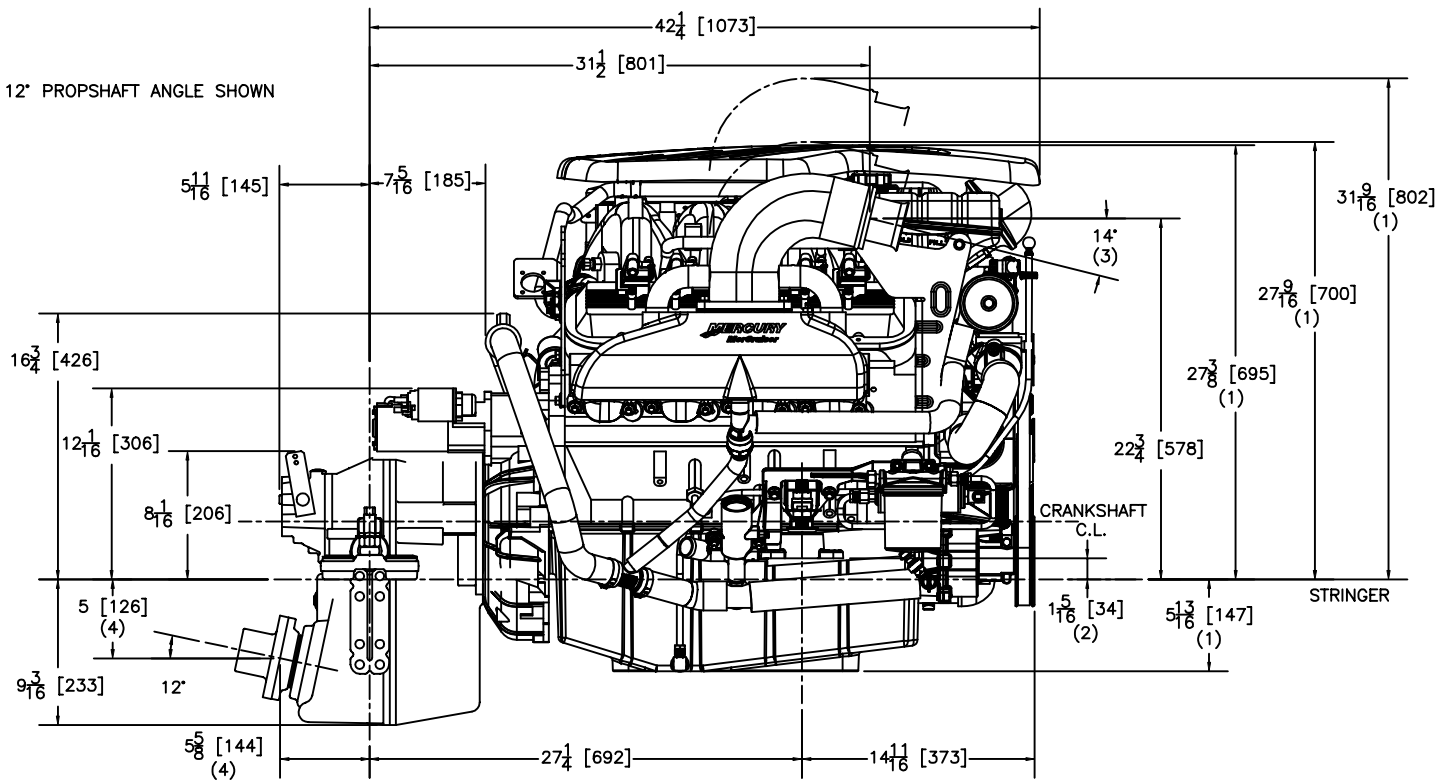
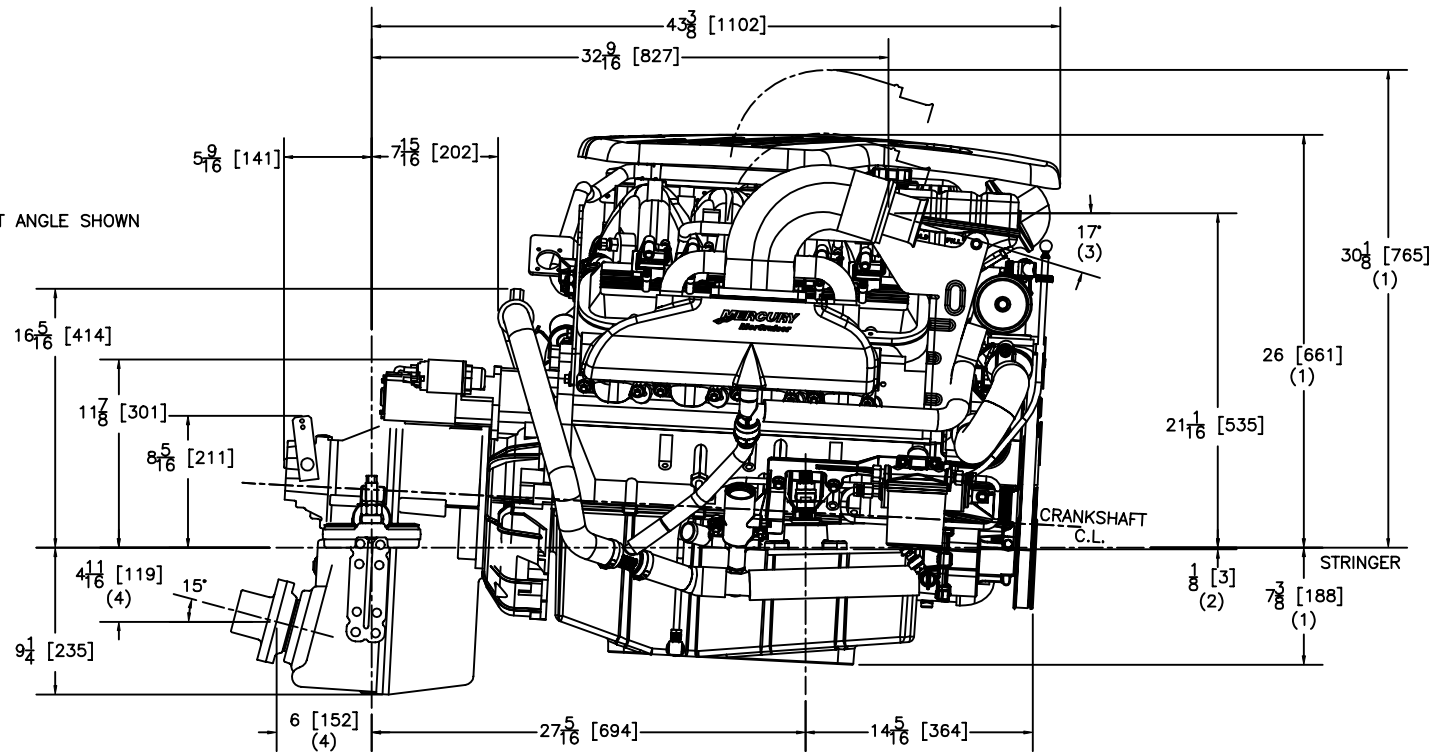


12° PROPSHAFT ANGLE SHOWN



15° PROPSHAFT ANGLE SHOWN



864786 SHEET 3 OF 3
 8.1S WITH ZF/HURTH 630V V-DRIVE TRANSMISSION

- NOTES:
- (1) DIMENSIONS REQUIRE A MINIMUM 1/2 in. (13mm) CLEARANCE FOR MOTOR MOUNT DEFLECTION.
 - (2) BASE OF MOUNT TO BE PARALLEL TO STRINGER. MOUNTS SHOWN AT CENTER OF ADJUSTMENT.
 - (3) MINIMUM ANGLE OF EXHAUST DROP 7' (1-1/2 in./ft.) WITH BOAT IN WATER AT REST.
 - (4) DIMENSIONS APPLY TO POINT OF INTERSECTION OF OUTPUT SHAFT CENTERLINE AND OUTPUT FLANGE FACE.