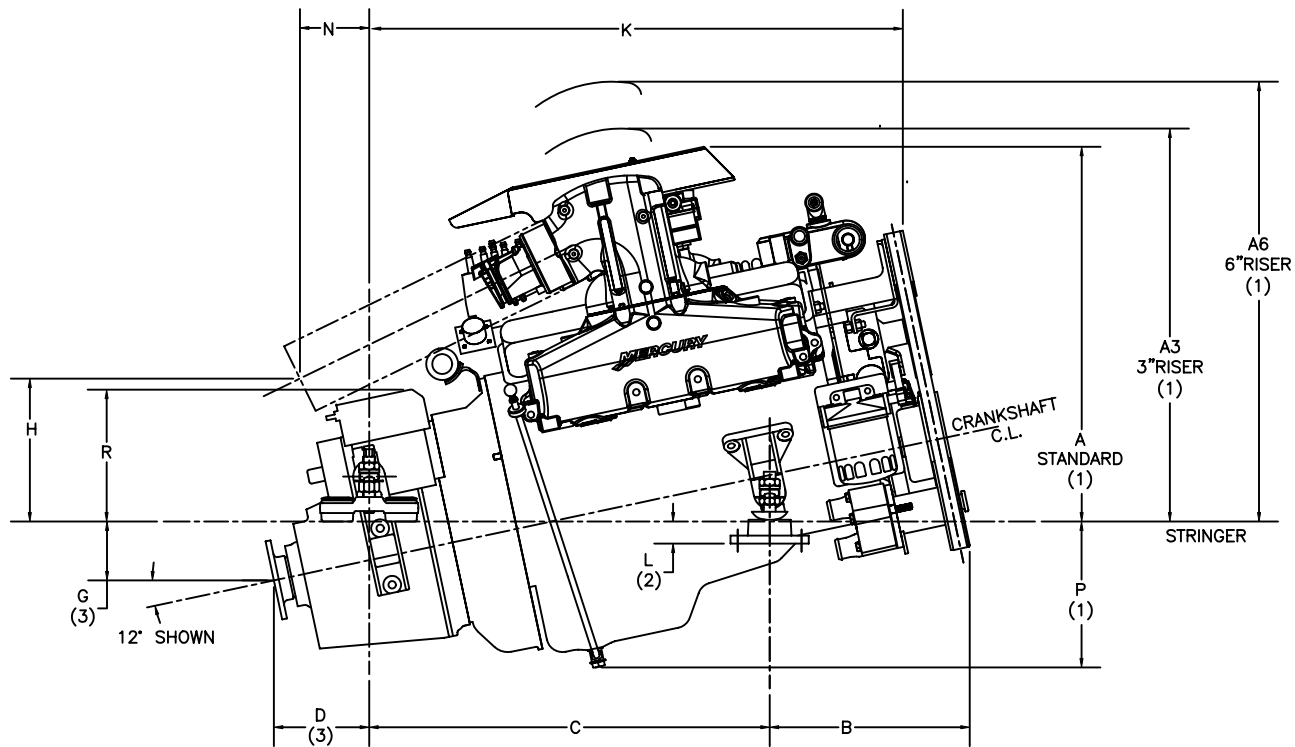


UNIT OF MEASURE in. (mm)	SCALE APROX. 1" = 1' 25.4mm = 304mm
-----------------------------	---

864759 SHEET 1 OF 2
MIE 5.7L WITH VELVET DRIVE 72C IN-LINE TRANSMISSION

NOTES:
(1) DIMENSIONS REQUIRE A MINIMUM 1/2 in. (13mm) CLEARANCE FOR MOTOR MOUNT DEFLECTION.



DIMENSIONS	PROPSHAFT ANGLE		
	10°	12°	15°
A STANDARD	577	596	623
A3 (3" RISER)	611	625	646
A6 (6" RISER)	686	700	719
B	315	318	322
C	636	637	638
D	157	152	143
G	88	94	101
H	231	227	221
K	862	849	827
L	57	35	2
N	105	110	118
P	245	232	213
R	208	210	213

METRIC
MM.

DIMENSIONS	PROPSHAFT ANGLE		
	10°	12°	15°
A STANDARD	22-3/4	23-1/2	24-9/16
A3 (3" RISER)	24-1/16	24-5/8	25-7/16
A6 (6" RISER)	27	27-9/16	28-5/16
B	12-7/16	12-9/16	12-11/16
C	25-1/16	25-1/16	25-1/8
D	6-3/16	5-15/16	5-5/8
G	3-1/2	3-11/16	4
H	9-1/8	8-15/16	8-3/4
K	33-15/16	33-7/16	32-9/16
L	2-1/4	1-3/8	1/16
N	4-1/8	4-5/16	4-5/8
P	9-5/8	9-1/8	8-3/8
R	8-3/16	8-1/4	8-3/8

ENGLISH
IN.

864759 SHEET 2 OF 2
MIE 5.7L WITH VELVET DRIVE 72C IN-LINE TRANSMISSION.

NOTES:

- (1) DIMENSIONS REQUIRE A MINIMUM 1/2 in. (13mm) CLEARANCE FOR MOTOR MOUNT DEFLECTION.
- (2) BASE OF MOUNT TO BE PARALLEL TO STRINGER. MOUNTS SHOWN AT CENTER OF ADJUSTMENT.
- (3) DIMENSIONS APPLY TO POINT OF INTERSECTION OF OUTPUT SHAFT CENTERLINE AND OUTPUT FLANGE FACE.