

OUTPUT FLANGE
(SAE NO. 510)

UNIT OF MEASURE in. [mm]	SCALE 1" = 1' 25.4mm = 304mm
-----------------------------	------------------------------------

864779 SHEET 1 OF 3

350 MAG MPI HORIZON/MX 6.2L MPI HORIZON WITH VELVET DRIVE 5000V V-DRIVE TRANSMISSION

NOTES:

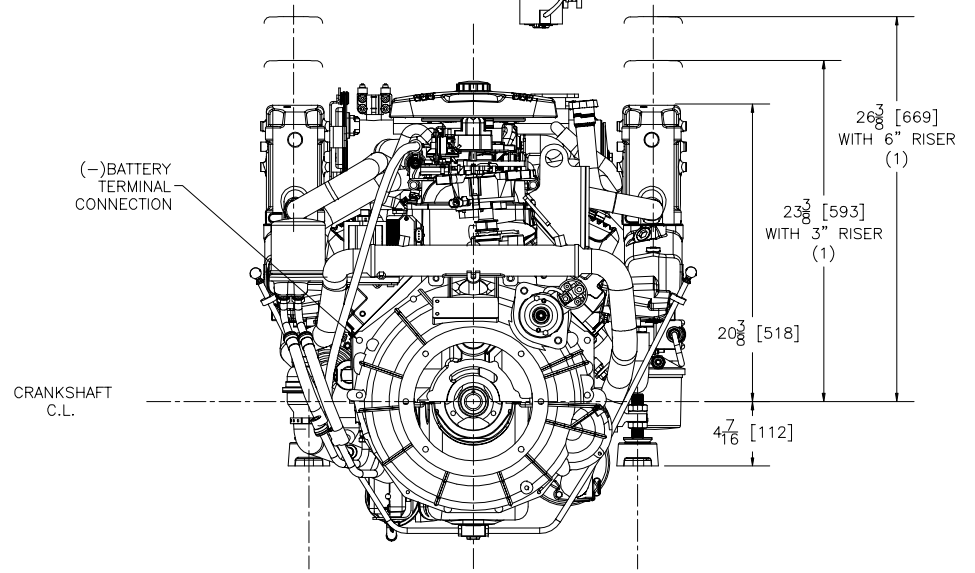
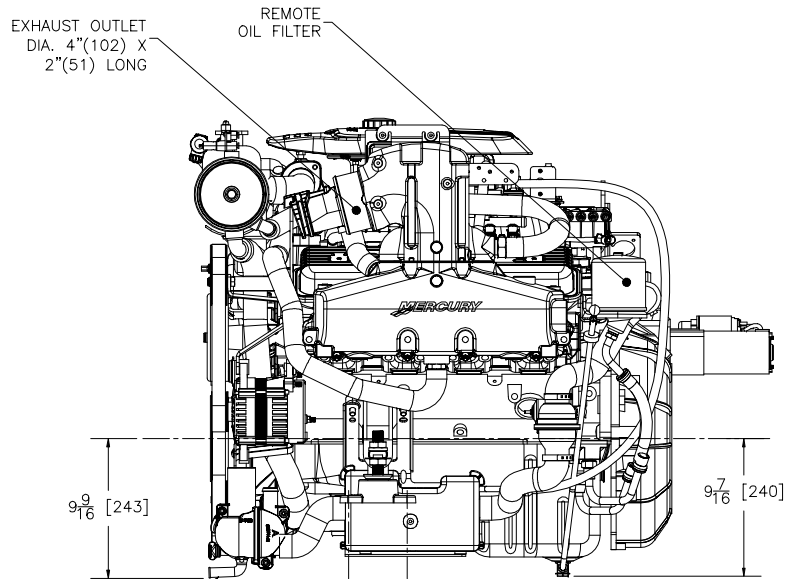
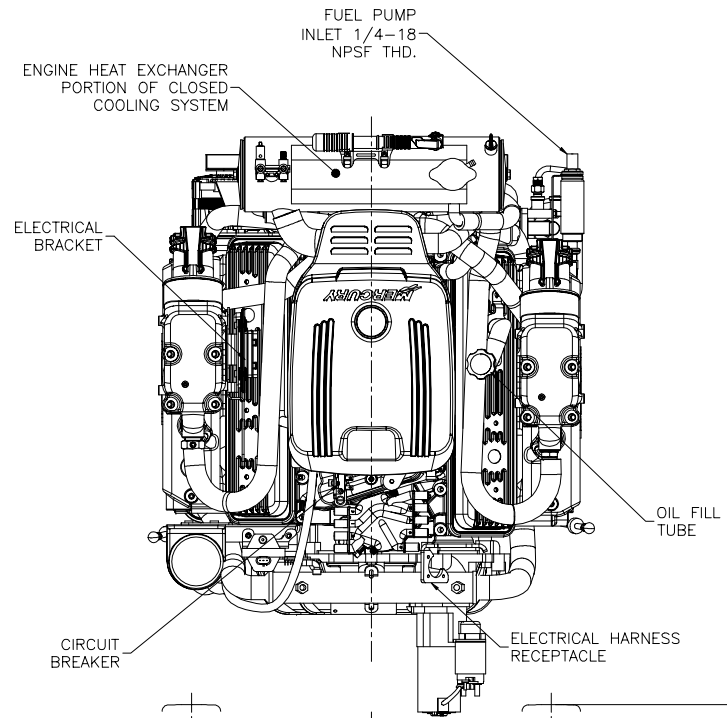
- (1) DIMENSIONS REQUIRE A MINIMUM 1/2 in. (13mm) CLEARANCE FOR MOTOR MOUNT DEFLECTION.
- (2) DIMENSIONS APPLY TO POINT OF INTERSECTION OF OUTPUT SHAFT CENTERLINE AND OUTPUT FLANGE FACE.
- (3) DIMENSIONS TO SEA WATER PUMP INLET.

350 MAG MPI HORIZON/MX 6.2L MPI HORIZON WITH VELVET DRIVE 5000V V-DRIVE TRANSMISSION

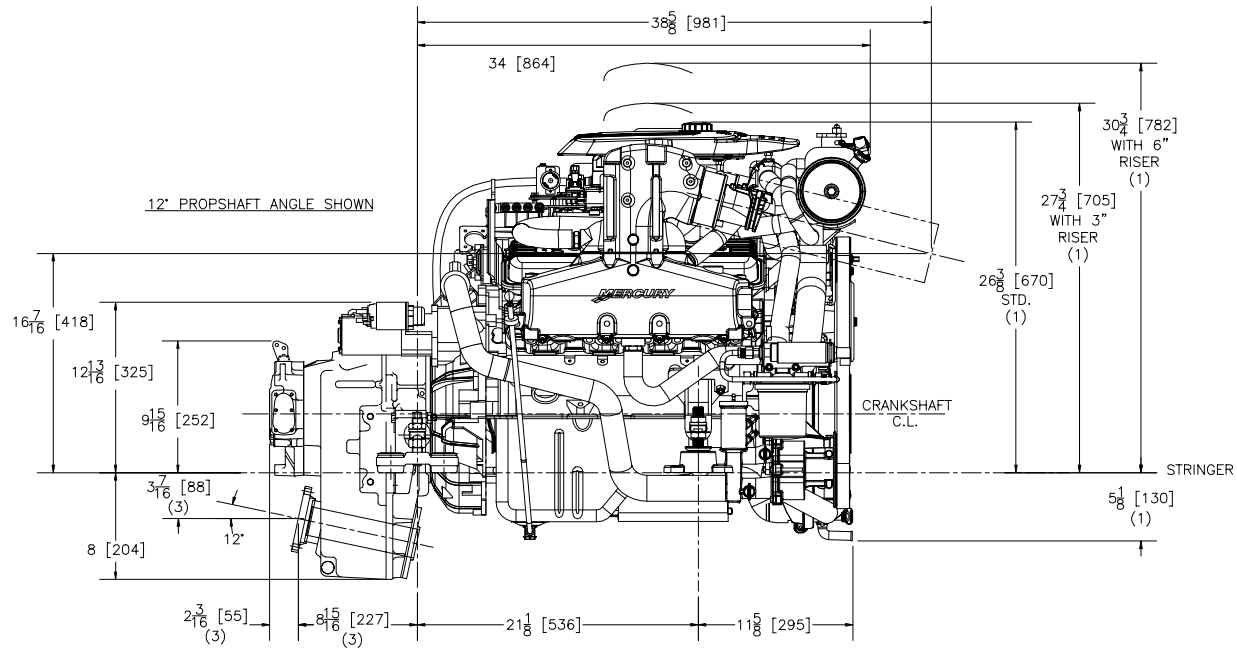
NOTES:

(1) DIMENSIONS REQUIRE A MINIMUM 1/2 in. (13mm) CLEARANCE FOR MOTOR MOUNT DEFLECTION.

UNIT OF MEASURE	SCALE
in. [mm]	1" = 1' 25.4mm = 304mm



4 [102] BETWEEN 1/2 [13] NOM. DIA. BOLT HOLES



864779 SHEET 3 OF 3
 350 MAG MPI HORIZON/MX 6.2L MPI HORIZON WITH VELVET DRIVE 5000V V-DRIVE TRANSMISSION

NOTES:

- (1) DIMENSIONS REQUIRE A MINIMUM 1/2 in. (13mm) CLEARANCE FOR MOTOR MOUNT DEFLECTION.
- (2) BASE OF MOUNT TO BE PARALLEL TO STRINGER. MOUNTS SHOWN AT CENTER OF ADJUSTMENT.
- (3) DIMENSIONS APPLY TO POINT OF INTERSECTION OF OUTPUT SHAFT CENTERLINE AND OUTPUT FLANGE FACE.

