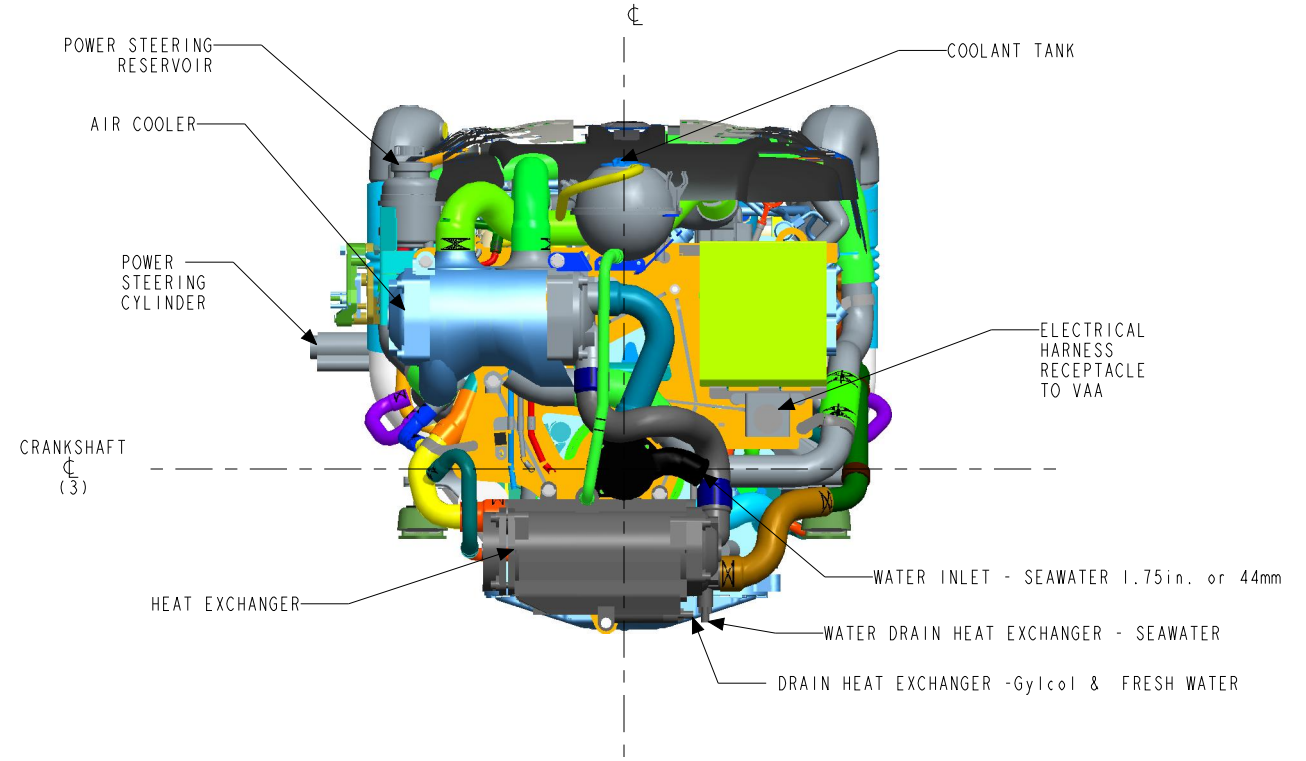
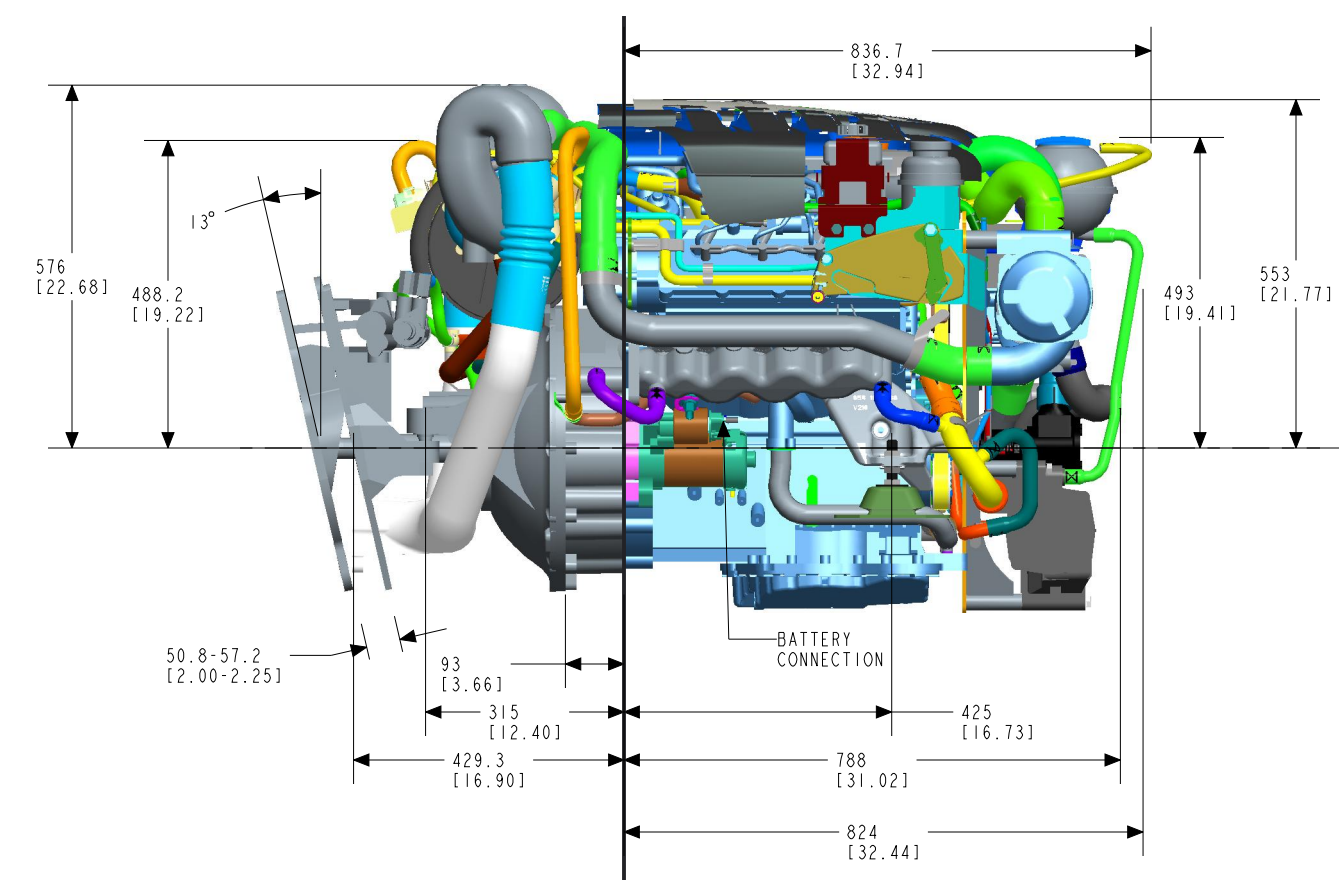
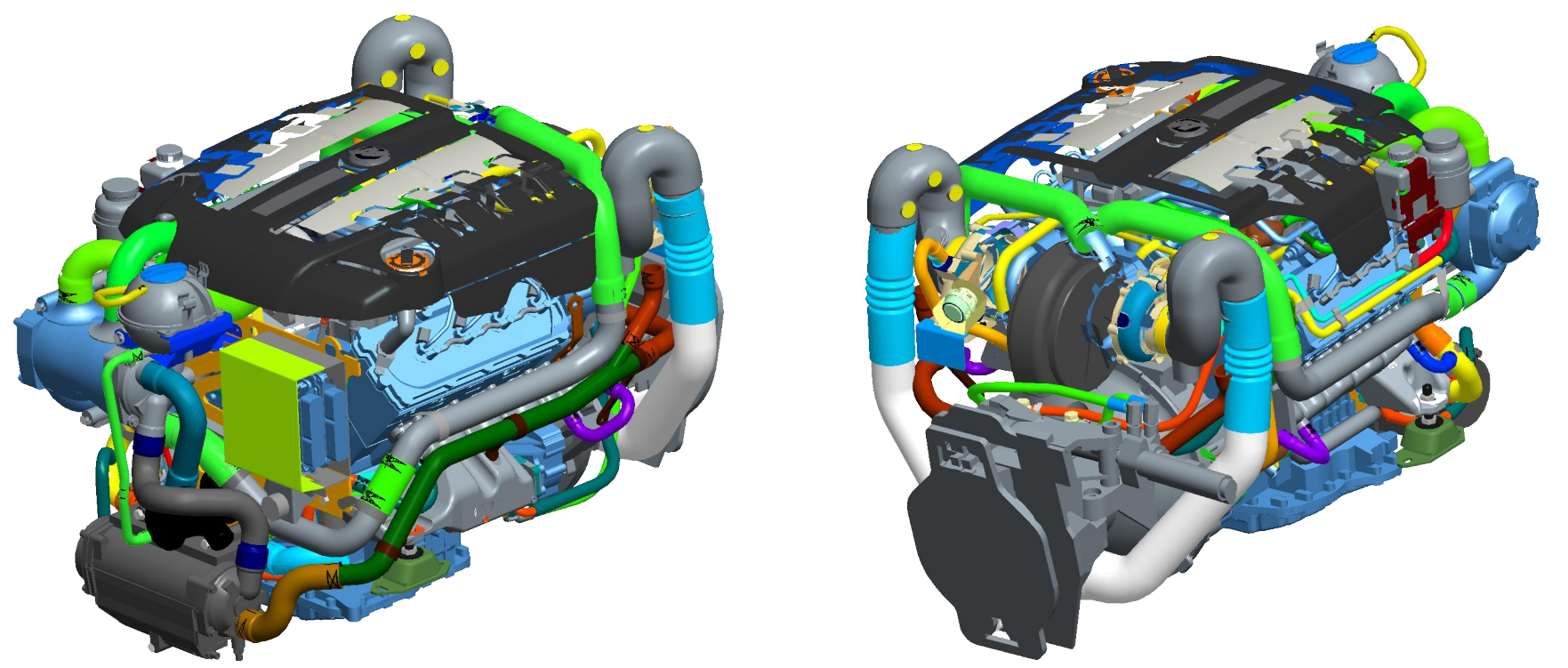
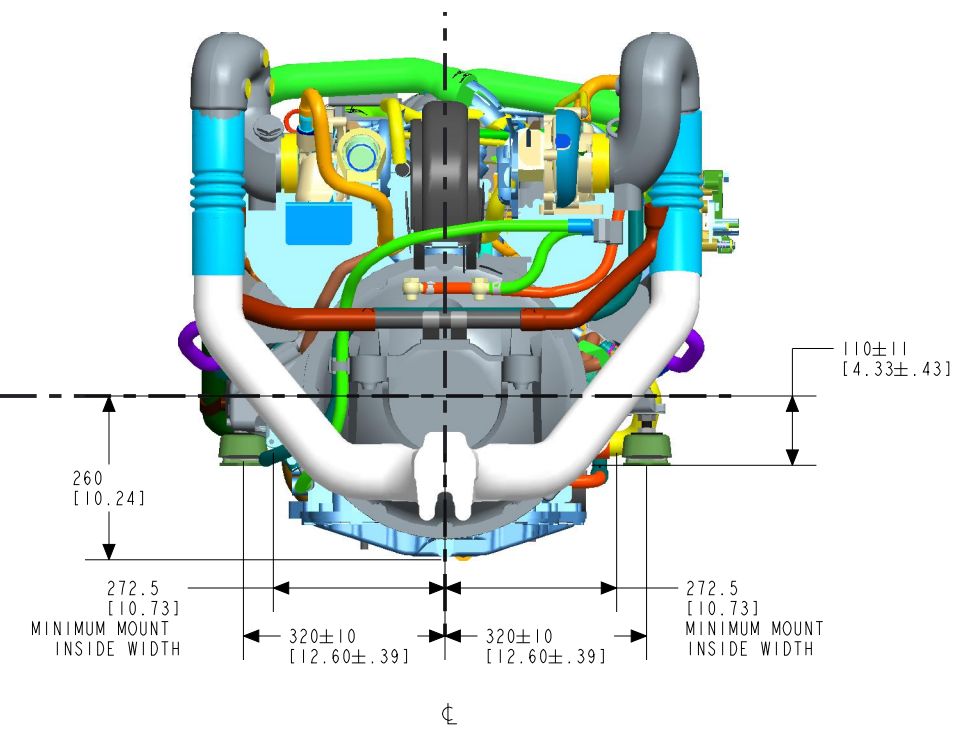
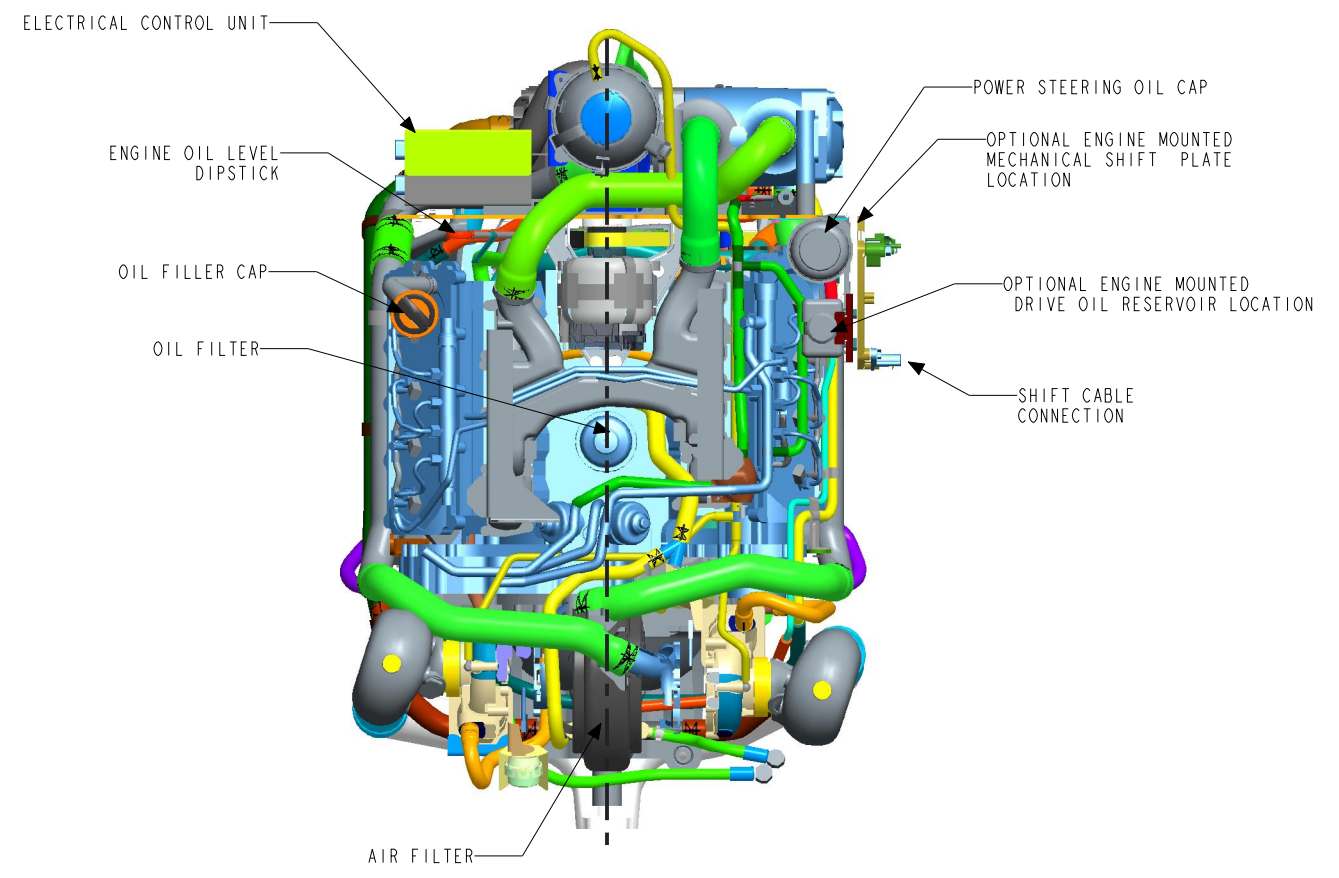
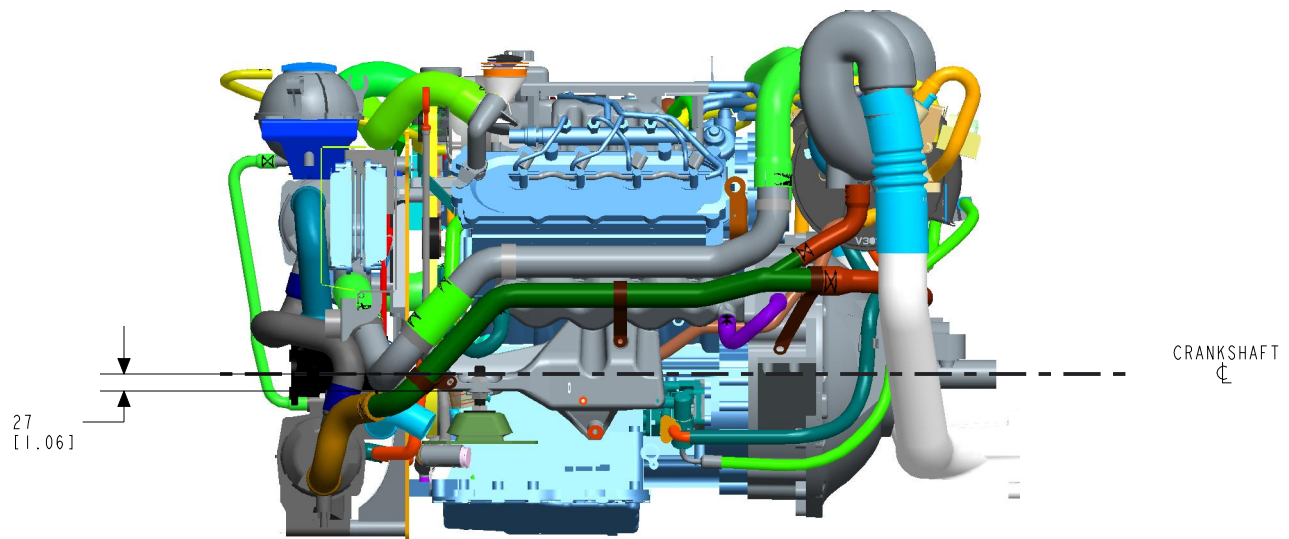
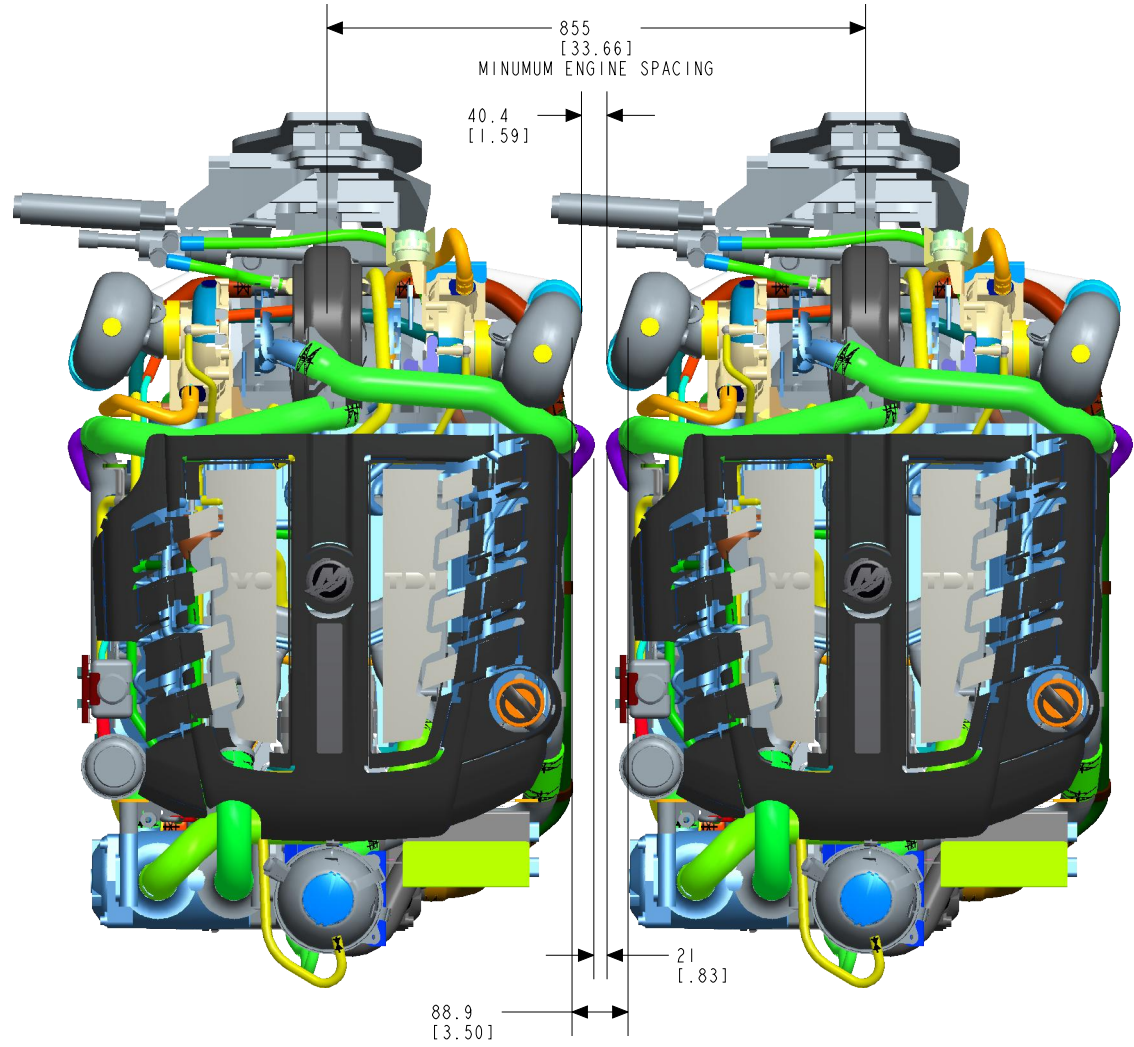


BACK OF BLOCK



NOTES:
 (1) REFER TO THE APPLICATION MANUAL FOR COMPLETE PRODUCT INSTALLATION REQUIREMENTS.
 (2) DIMENSIONS REQUIRE A MINIMUM OF 1/2 in. (13 mm) CLEARANCE FOR MOTOR MOUNT DEFLECTION.
 (3) INNER AND OUTER SURFACES OF TRANSOM MUST BE PARALLEL WITHIN 1/8 in. (3 mm) IN AREA COVERED BY TRANSOM PLATES AND REMAIN WITHIN TRANSOM THICKNESS LIMITS.
 (4) REFER TO "TRANSOM CUTOUT" IN THE INSTALLATION MANUAL TO FIND THE CRANKSHAFT CENTERLINE VS. BOAT BOTTOM.

TDI_P1_V8_BRAVO	REVISION	UNITS	SCALE	SHEETS
	A	mm (in)	1:12 25.4 mm = 305 mm 1" = 1"	1 of 2



NOTES:
 (1) REFER TO THE APPLICATION MANUAL FOR COMPLETE PRODUCT INSTALLATION REQUIREMENTS.
 (2) DIMENSIONS REQUIRE A MINIMUM OF 1/2 in. (13 mm) CLEARANCE FOR MOTOR MOUNT DEFLECTION.
 (3) INNER AND OUTER SURFACES OF TRANSOM MUST BE PARALLEL WITHIN 1/8 in. (3 mm) IN AREA COVERED BY TRANSOM PLATES AND REMAIN WITHIN TRANSOM THICKNESS LIMITS.
 (4) REFER TO "TRANSOM CUTOUT" IN THE INSTALLATION MANUAL TO FIND THE CRANKSHAFT CENTERLINE VS. BOAT BOTTOM.

TDI_P1_V8_BRAVO	REVISION	UNITS	SCALE	SHEETS
	A	mm (in)	1:12 25.4 mm = 305 mm 1" = 1"	2 of 2