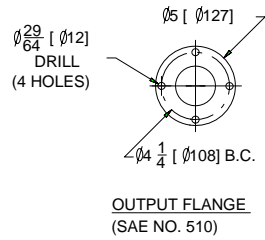
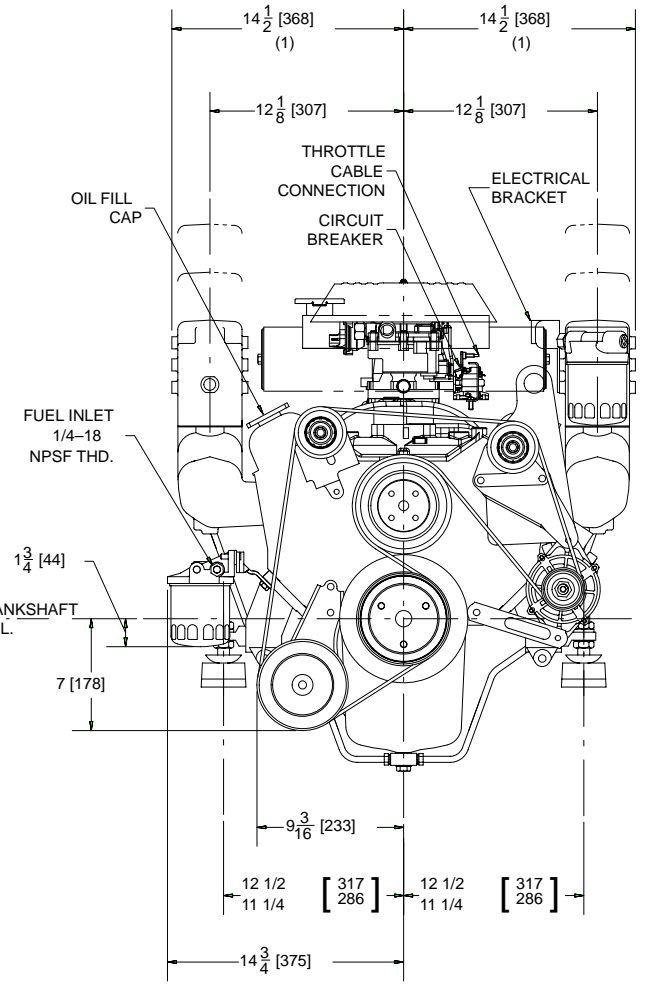
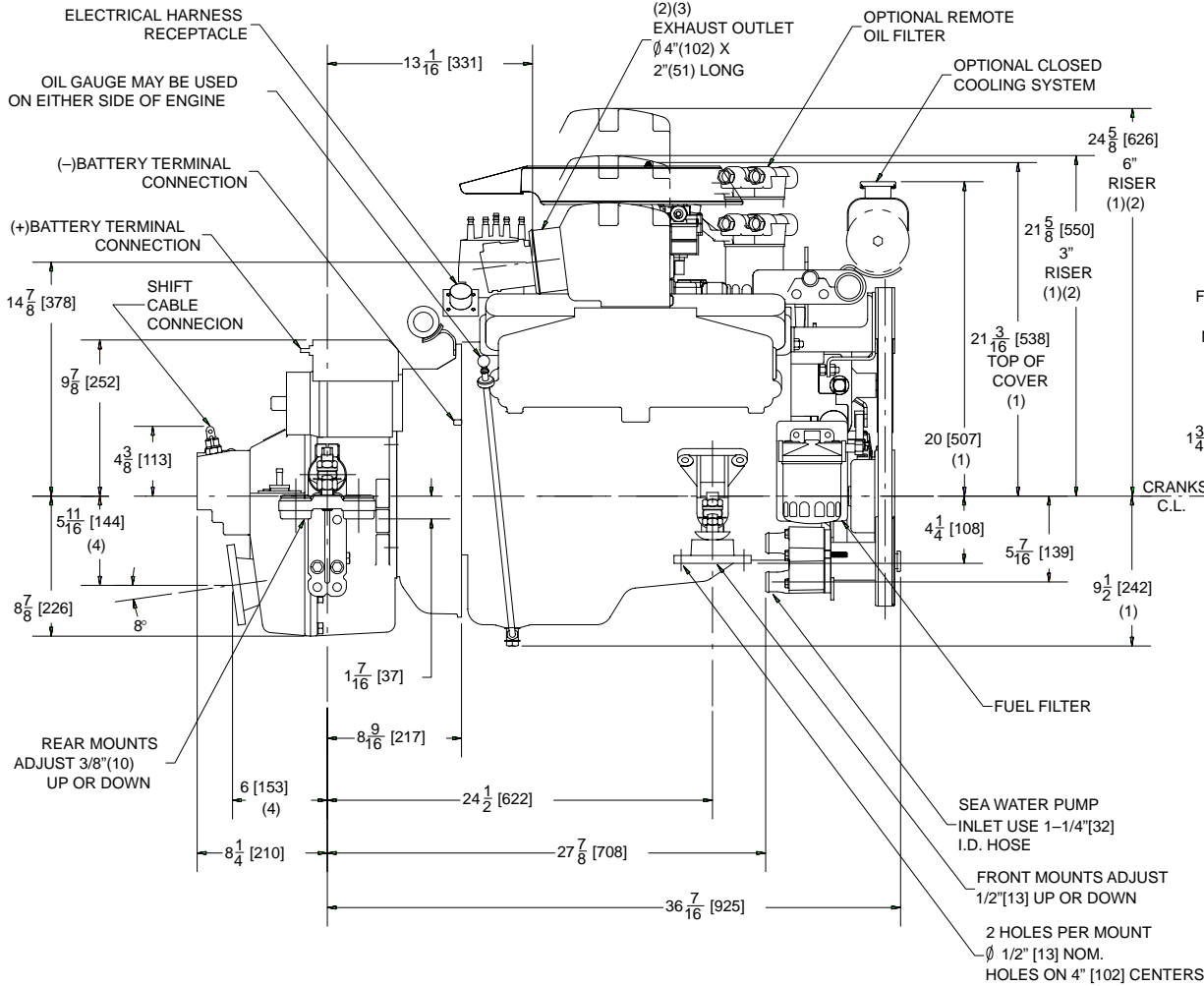


MIE 5.7L WITH HURTH 630A DOWN ANGLE TRANSMISSION



UNIT OF MEASURE in. (mm)	SCALE APROX. 1" = 1' 25.4mm = 304mm
-----------------------------	---

- MIE 5.7L WITH HURTH 630A DOWN ANGLE TRANSMISSION
- NOTES:
- (1) DIMENSIONS REQUIRE A MINIMUM 1/2 in. (13mm) CLEARANCE FOR MOTOR MOUNT DEFLECTION.
 - (2) SELECT THE APPROPRIATE EXHAUST RISE-HEIGHT TO MAINTAIN A MINIMUM OF 13 in. (330mm) BETWEEN THE TOP OF THE EXHAUST ELBOW AND THE WATERLINE OF THE BOAT AT MAXIMUM RATED LOAD.
 - (3) EXHAUST OUTLETS MUST BE ABOVE WATERLINE OF BOAT AT MAXIMUM RATED LOAD.
 - (4) DIMENSIONS APPLY TO POINT OF INTERSECTION OF OUTPUT SHAFT CENTERLINE AND OUTPUT FLANGE FACE.
 - (5) NUMBERS INSIDE BRACKETS "[]" ARE IN MILLIMETERS.