

OUTPUT FLANGE
(SAE NO. 510)

UNIT OF MEASURE	SCALE
in. [mm]	1" = 1'
	25.4mm = 304mm

864778 SHEET 1 OF 4

350 MAG MPI HORIZON/MX 6.2L MPI HORIZON WITH VELVET DRIVE 5000A DOWN ANGLE TRANSMISSION

NOTES:

- (1) DIMENSIONS REQUIRE A MINIMUM 1/2 in. (13mm) CLEARANCE FOR MOTOR MOUNT DEFLECTION.
- (2) DIMENSIONS APPLY TO POINT OF INTERSECTION OF OUTPUT SHAFT CENTERLINE AND OUTPUT FLANGE FACE.
- (3) DIMENSIONS TO SEA WATER PUMP INLET.

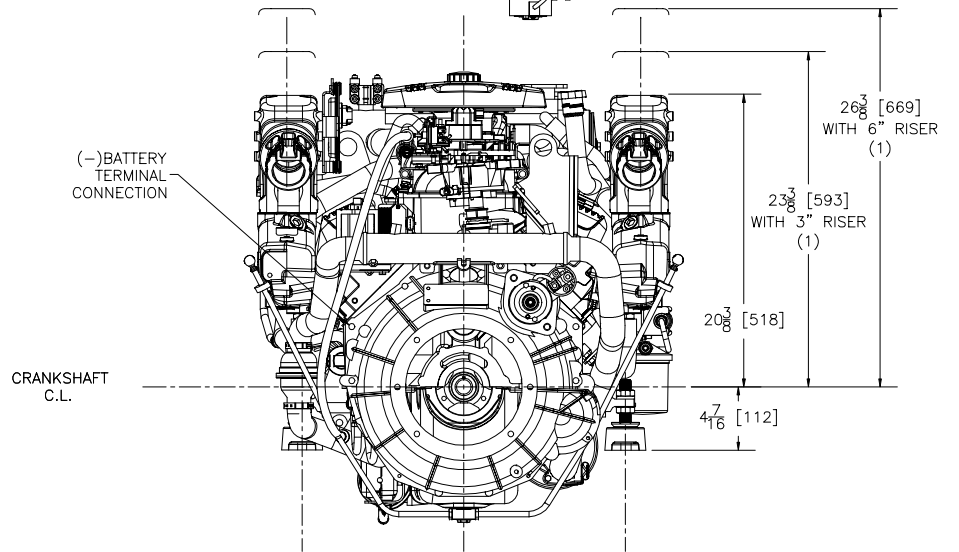
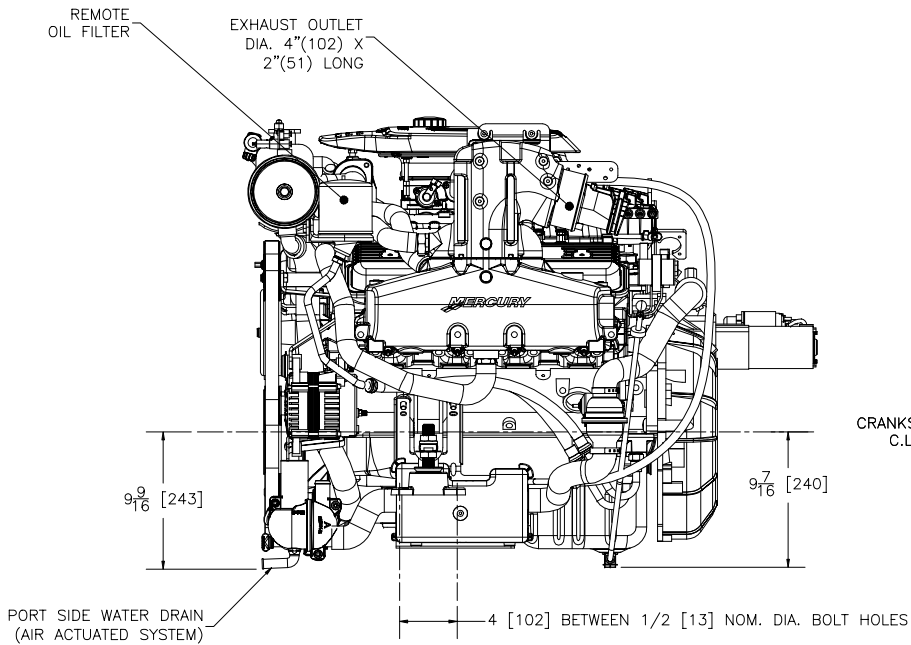
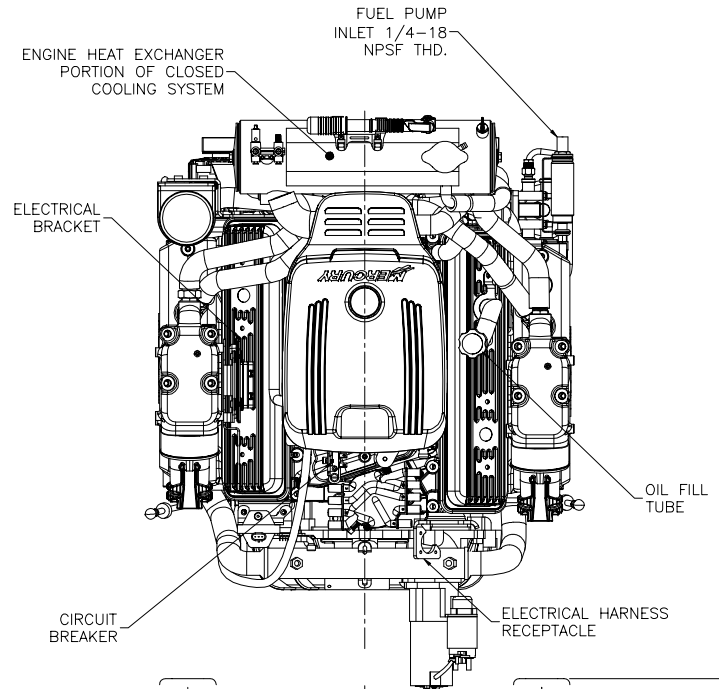
864778 SHEET 2 OF 4

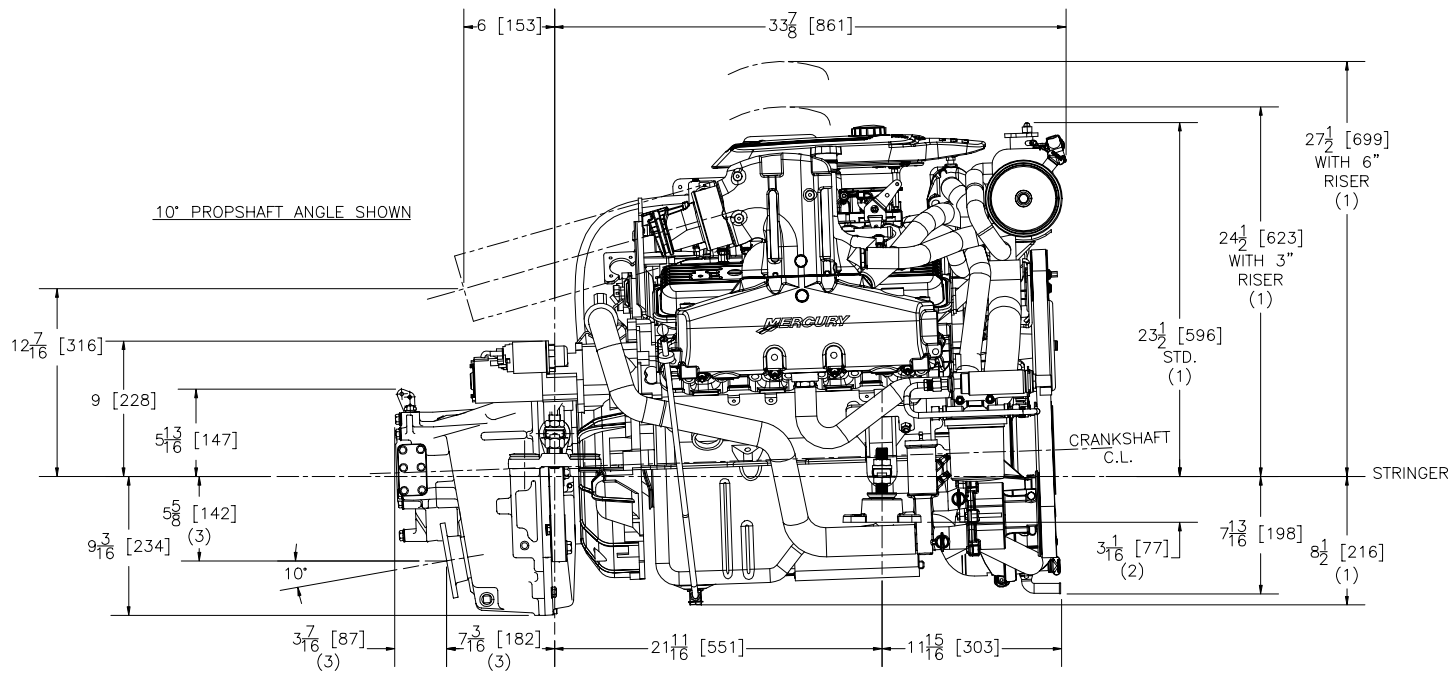
350 MAG MPI HORIZON/MX 6.2L MPI HORIZON WITH VELVET DRIVE 5000A DOWN ANGLE TRANSMISSION

NOTES:

(1) DIMENSIONS REQUIRE A MINIMUM 1/2 in. (13mm) CLEARANCE FOR MOTOR MOUNT DEFLECTION.

UNIT OF MEASURE in. [mm]	SCALE 1" = 1' 25.4mm = 304mm
-----------------------------	------------------------------------



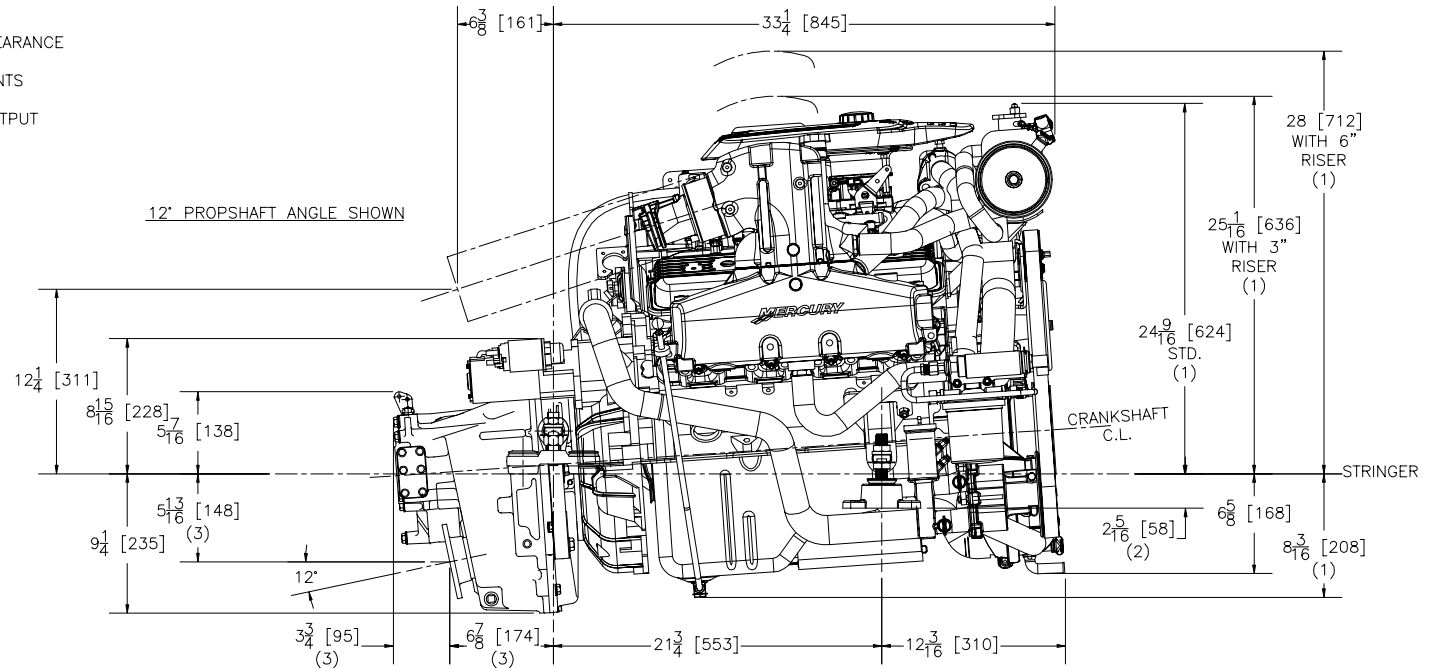


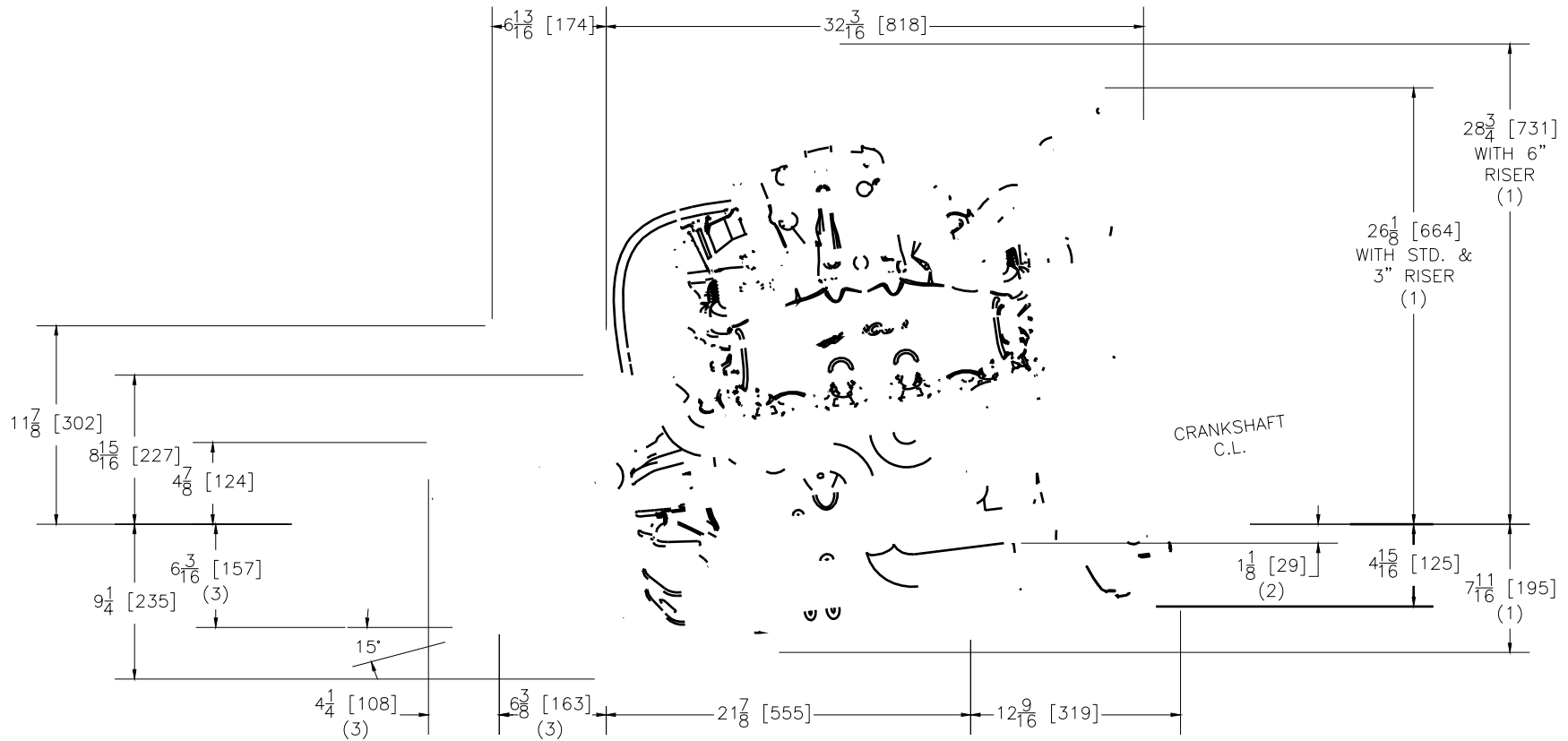
864778 SHEET 3 OF 4

350 MAG MPI HORIZON/MX 6.2L MPI HORIZON WITH VELVET DRIVE 5000A DOWN ANGLE TRANSMISSION

NOTES:

- (1) DIMENSIONS REQUIRE A MINIMUM 1/2 in. (13mm) CLEARANCE FOR MOTOR MOUNT DEFLECTION.
- (2) BASE OF MOUNT TO BE PARALLEL TO STRINGER. MOUNTS SHOWN AT CENTER OF ADJUSTMENT.
- (3) DIMENSIONS APPLY TO POINT OF INTERSECTION OF OUTPUT SHAFT CENTERLINE AND OUTPUT FLANGE FACE.





864778 SHEET 4 OF 4

350 MAG MPI HORIZON/MX 6.2L MPI HORIZON WITH VELVET DRIVE 5000A DOWN ANGLE TRANSMISSION

NOTES:

- (1) DIMENSIONS REQUIRE A MINIMUM 1/2 in. (13mm) CLEARANCE FOR MOTOR MOUNT DEFLECTION.
- (2) BASE OF MOUNT TO BE PARALLEL TO STRINGER. MOUNTS SHOWN AT CENTER OF ADJUSTMENT.
- (3) DIMENSIONS APPLY TO POINT OF INTERSECTION OF OUTPUT SHAFT CENTERLINE AND OUTPUT FLANGE FACE.