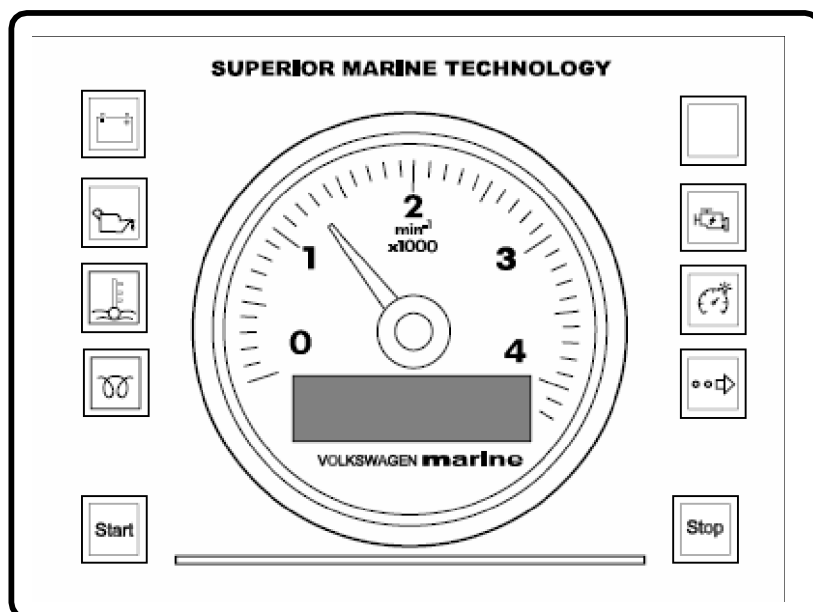
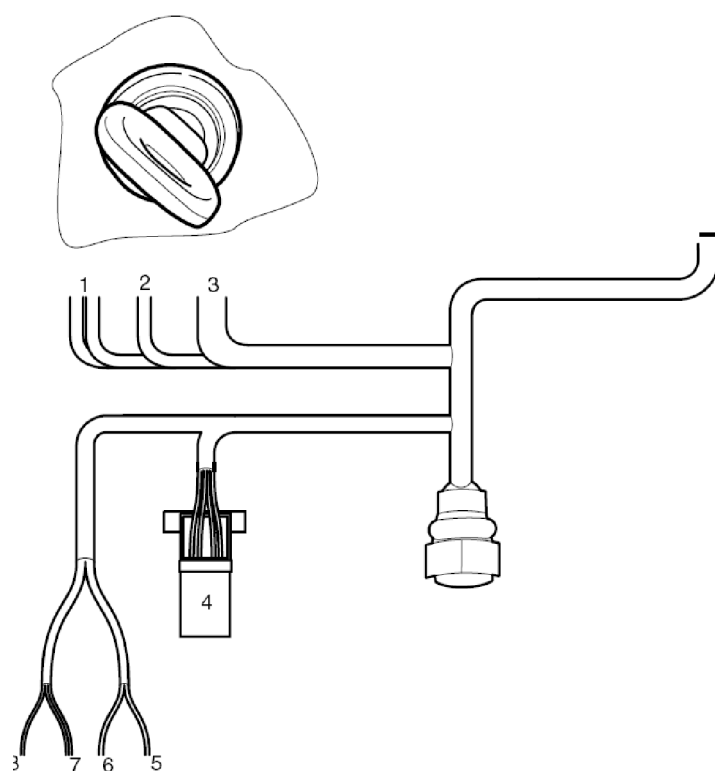


for all 5-Cylinder marine engines with central electric 065 937 025 B (from end of 2005)
with panel 065 805 103 and adapting harness 064 971 067

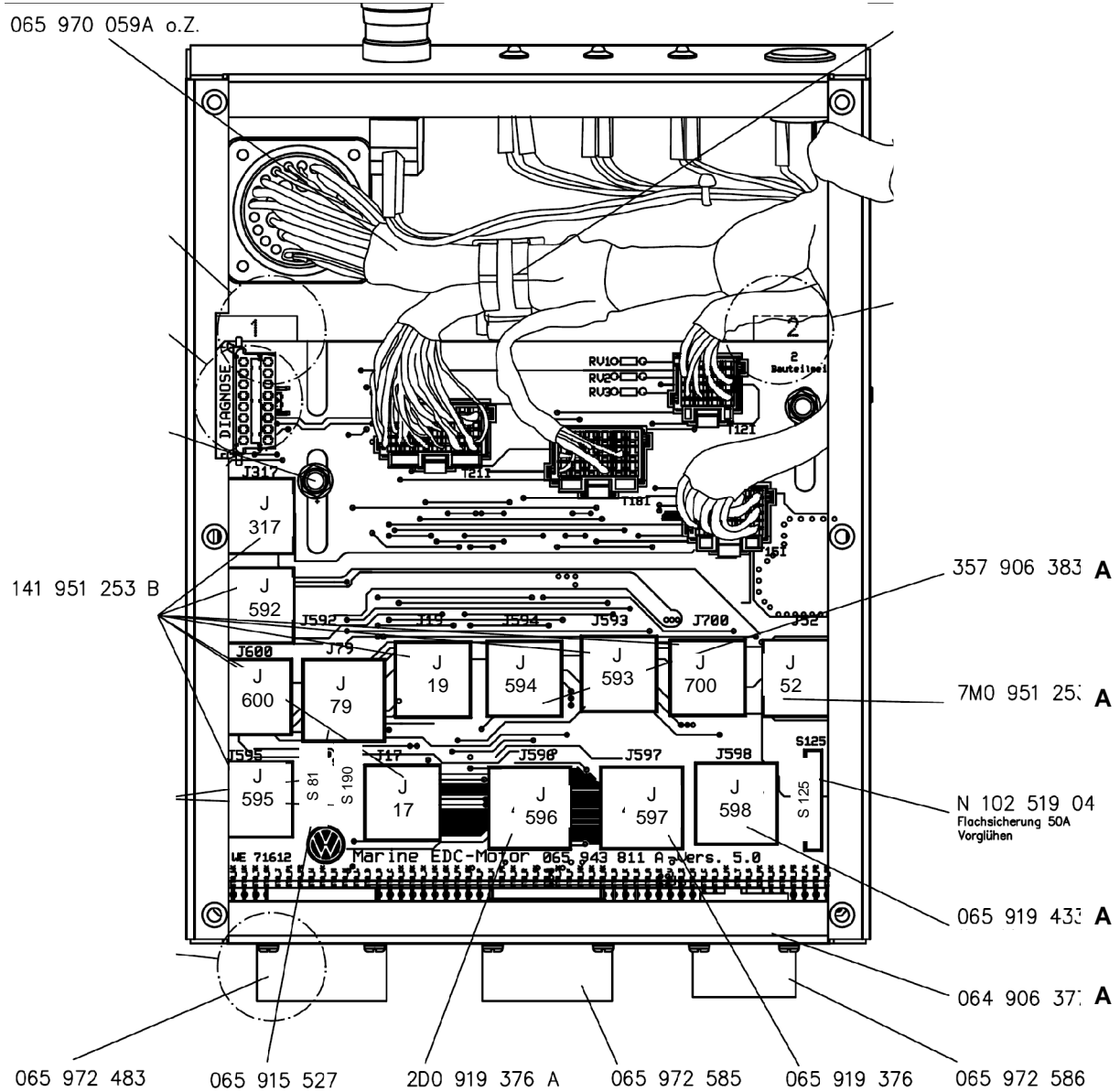


065 805 103

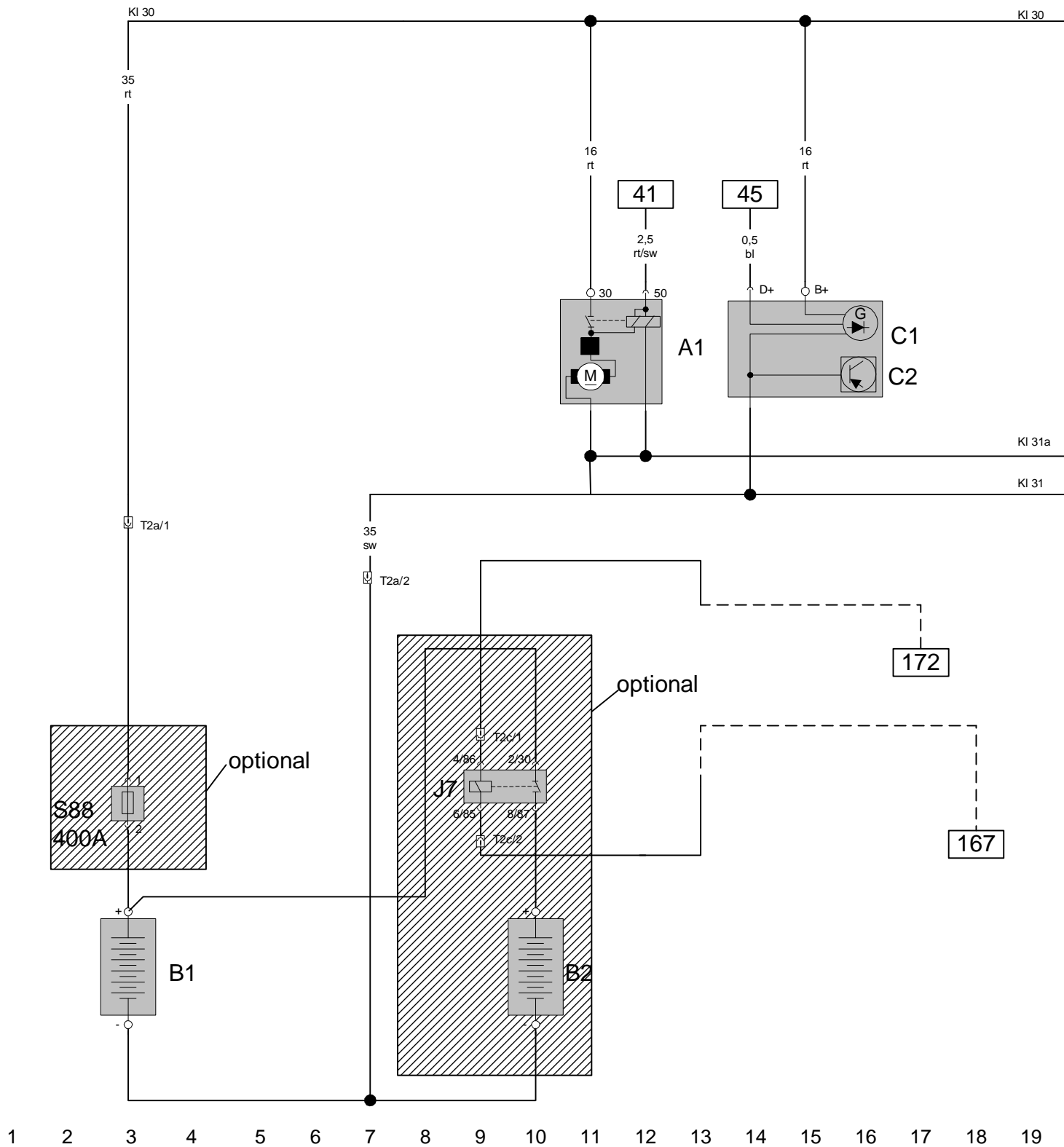


064 971 067

Relays and Fuses



- | | | | |
|-------|---------------------------------------|-------|----------------------------------|
| J 317 | main relay for MDC | J 79 | diode group |
| J 593 | relay "ground free" shutoff device | J 52 | relay for glowing plugs |
| J 592 | relay terminal 15 | J 17 | relay for fuel pump (not used) |
| J 597 | relay "water in fuel" | S 81 | fuse for oil extr. and fuel pump |
| J 600 | starting aid relay | J 19 | starting relay |
| J 700 | relay "ground free" for glowing plugs | J 594 | engine stop relay |
| S 125 | fuse glowing plugs 50A | S 190 | fuse terminal 30a 15A |
| J 595 | relay oil extraction pump | J 598 | acoustic alert relay |
| J 596 | relay "coolant level" | | |

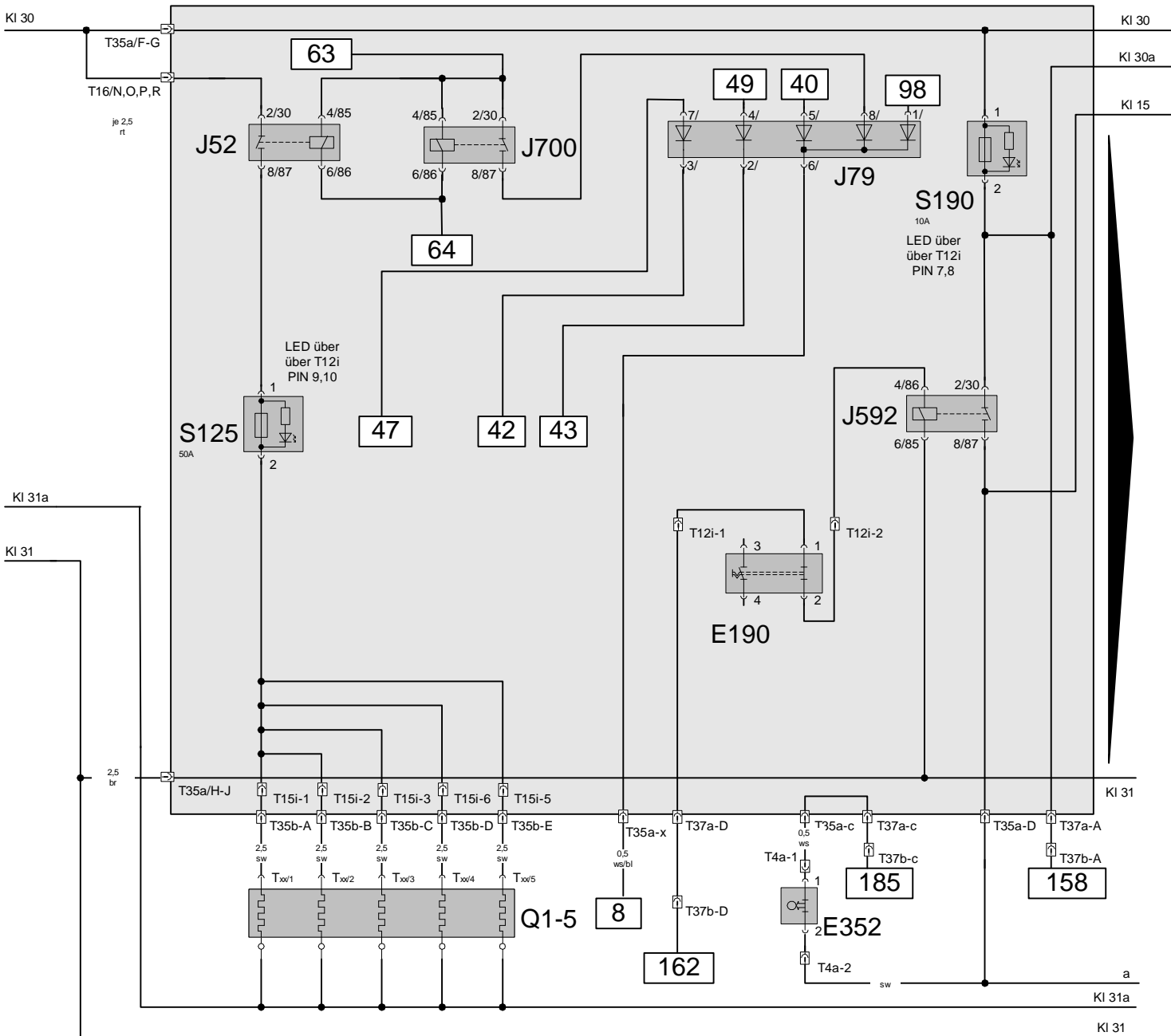


- B1 Starter-Battery
- B2 optional 2nd battery
- S88 optional fuse
- J7 optional battery separation relay
- J591 relay for option "ground free"
- A1 starter
- C1 alternator
- C2 voltage regulator in alternator
- C24 Cap pack for relay "ground free"

- T2a 2pin high current connector
- T2b 2pin connector on at J591
- T2c 2pin connector at relay J7

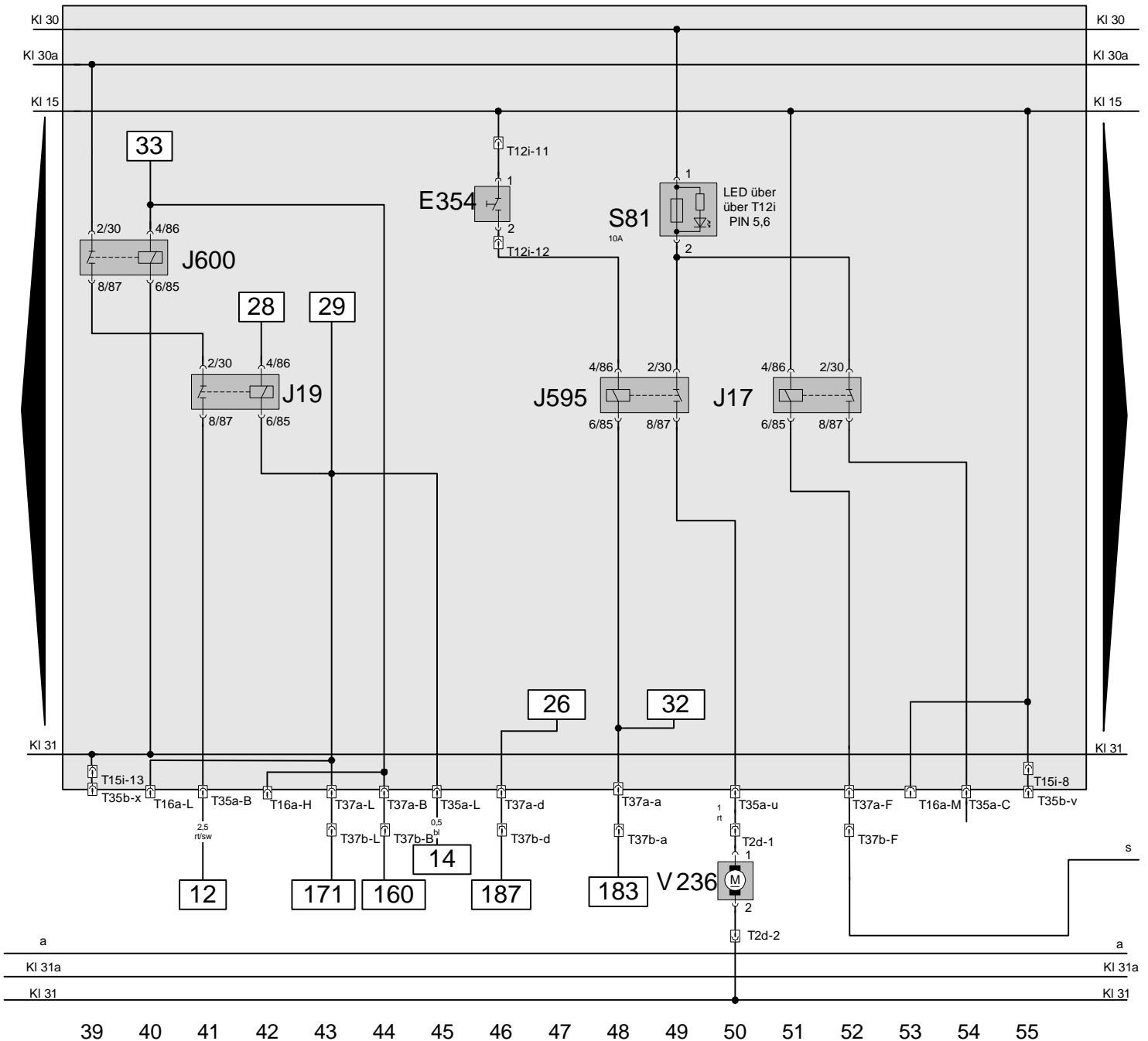
Colors:

- rt = red sw = black bl = blue
- ws = white gb = yellow gr = gray
- gn = green li = violet



- | | | | |
|----|-----------|---|--|
| 20 | J52 | relay for glowing plugs | |
| 21 | J700 | relay "ground free" shutoff device | |
| 22 | S125 | fuse for glowing plugs | |
| 23 | J79 | diode group | |
| 24 | S190 | fuse terminal 30a | |
| 25 | J592 | fuse terminal 15 | |
| 26 | E190 | stop switch at central electric box | |
| 27 | E352 | neutral switch (gear box) | |
| 28 | Q1 bis Q5 | glowing plugs | |
| 29 | T35a | 35pin connector at bottom of central electric box | |
| 30 | T35b | 35pin connector at back side of central electric box | |
| 31 | T15i | 15pin connector at bottom of central electric box | |
| 32 | T37a | 37pin connector at bottom of central electric box | |
| 33 | T37b | 37pin connector near the panel | |
| 34 | T4a | 4pin connector "gear box version" on the back of the engine | |
| 35 | Txx | connector glowing plug | |
| 36 | T15i | 15pin internal connector in central electric | |
| 37 | T12i | 12pin internal connector in central electric | |
| 38 | a | terminal 15 in engine harness | |

Colors:
 rt = red sw = black bl = blue
 ws = white gb = yellow gr = gray
 gn = green li = violet

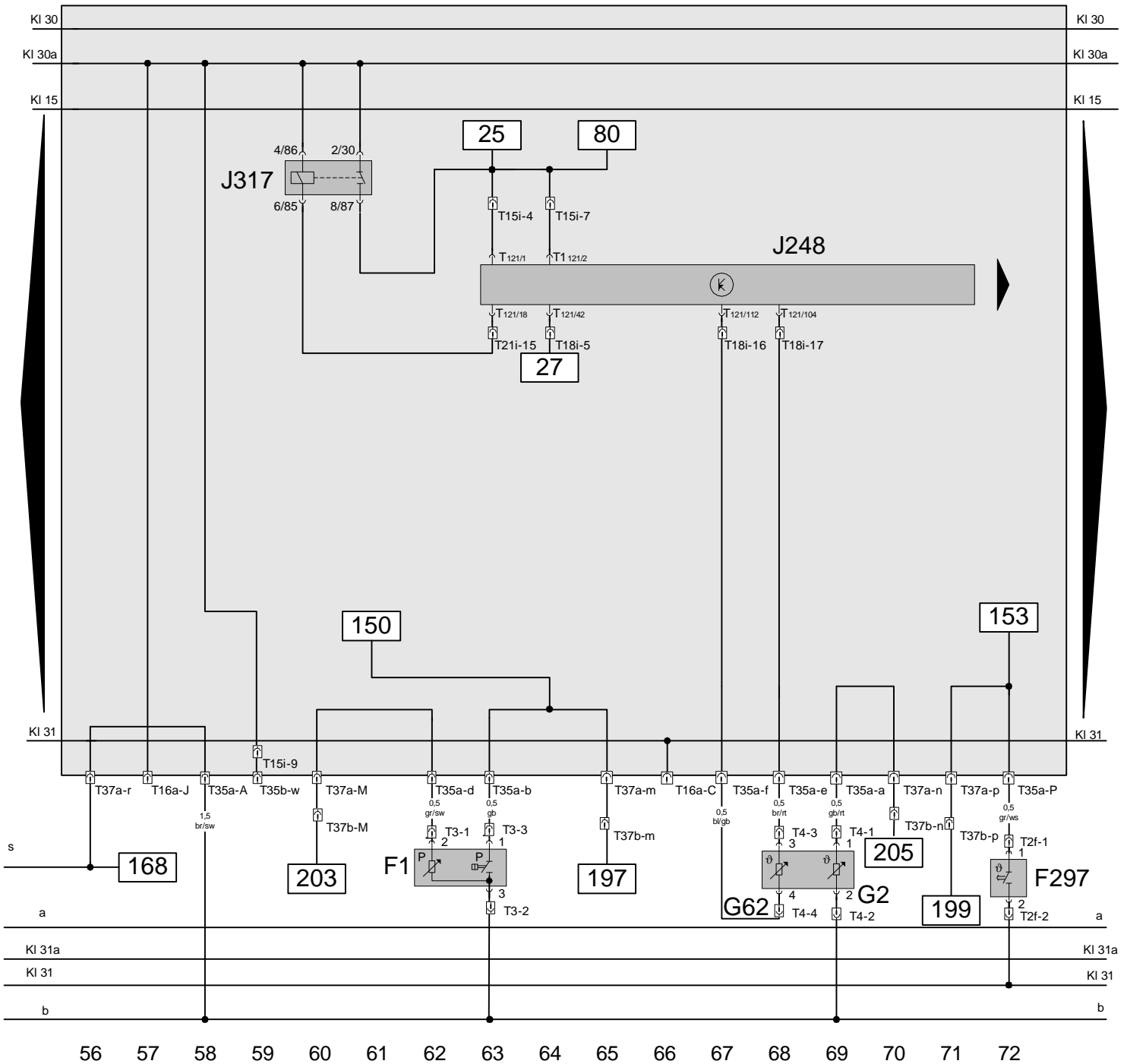


- T35a 35pin connector at bottom of central electric box
- T35b 35pin connector at back side of central electric box
- T16a 16pin connector at bottom of central electric box
- T37a 37pin connector at bottom of central electric box
- T37b 37pin connector near the panel
- T2d 2pin connector at oil extraction pump
- J600 starting aid relay
- J19 starting relay
- E354 switch for oil extraction pump
- S81 fuse for oil extr./fuel pump
- J595 relay oil extraction pump
- J17 relay fuel pump
- V236 oil extraction pump
- G6 fuel pump
- T15i 15pin internal connector in central electric
- T12i 12pin internal connector in central electric
- T121 121pin two part connector pin 1-81 and pin 82-121

- a terminal 15 in engine harness
- s connection in harness

Colors:

- rt = red
- sw = black
- bl = blue
- ws = white
- gb = yellow
- gr = gray
- gn = green
- li = violet

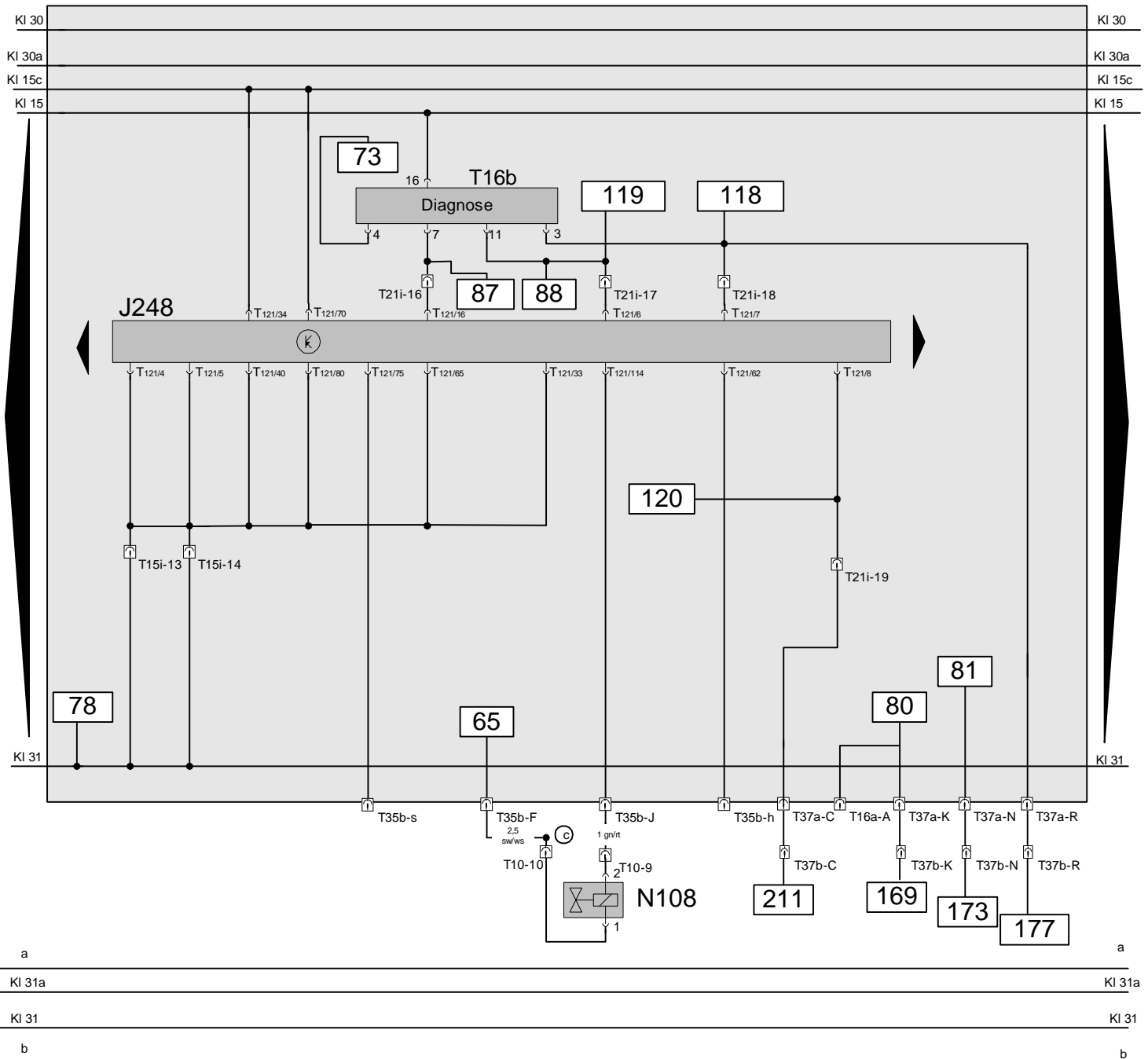


- T16a 16pin connector at bottom of central electric box
- T35a 35pin connector at bottom of central electric box
- T35b 35pin connector at the back side of central electric box
- T37a 37pin connector at bottom of central electric box
- T37b 37pin connector near the panel
- T2f 2pin connector at temperature switch
- F1 oil pressure sensor / switch
- G62 coolant temp. sensor for MDC
- G2 coolant temp. sensor for instruments
- F297 coolant temp. switch (Instruments)
- J317 main relay MDC
- J248 MDC (ECU)
- T15i 15pin internal connector in central electric
- T12i 12pin internal connector in central electric
- T21i 21pin internal connector in central electric
- T18i 18pin internal connector in central electric
- T121 121pin two part connector pin 1-81 and pin 82-121
- T4 4pin connector at temp. sensor
- T3 3pin connector at oil pressure sensor

- a terminal 15 in engine harness
- b sensor ground in engine harness
- s connection in harness

Colors:

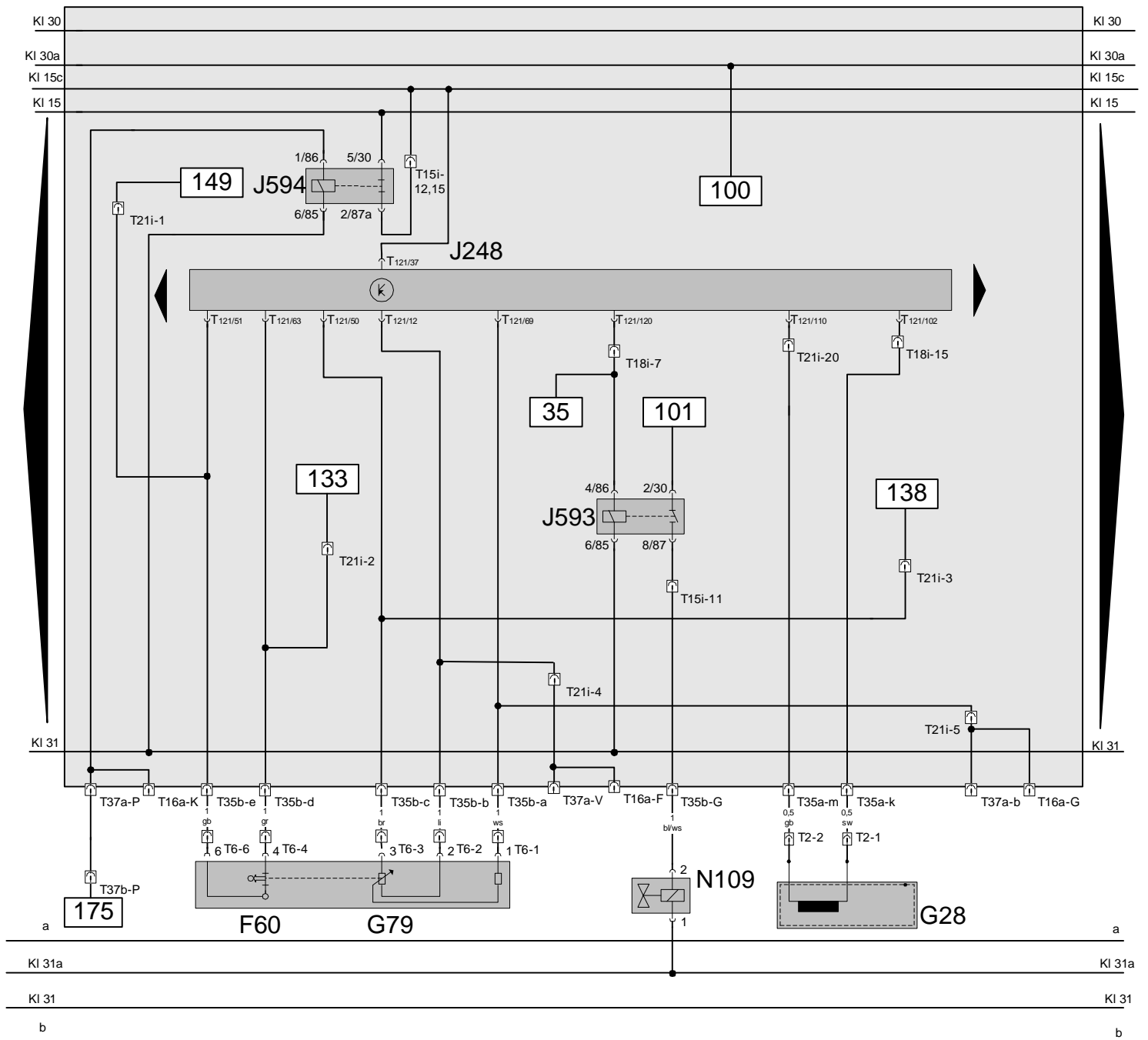
- rt = red
- sw = black
- bl = blue
- ws = white
- gb = yellow
- gr = gray
- gn = green
- li = violet



	73	74	75	76	77	78	79	80	81	82	83	84	85	86	87	88	89
T16a	16pin connector at bottom of central electric box																
T35a	35pin connector at bottom of central electric box																
T35b	35pin connector at the back side of central electric box																
T37a	37pin connector at bottom of central electric box																
T37b	37pin connector near the panel																
T16b	16pin connector "diagnosis" in central electric box																
T10	10pin connector at distribution pump																
J248	MDC (ECU)																
N108	timing adjuster																
T15i	15pin internal connector in central electric																
T12i	12pin internal connector in central electric																
T21i	21pin internal connector in central electric																
T18i	18pin internal connector in central electric																
T121	121pin two part connector pin 1-81 and pin 82-121																

Colors:

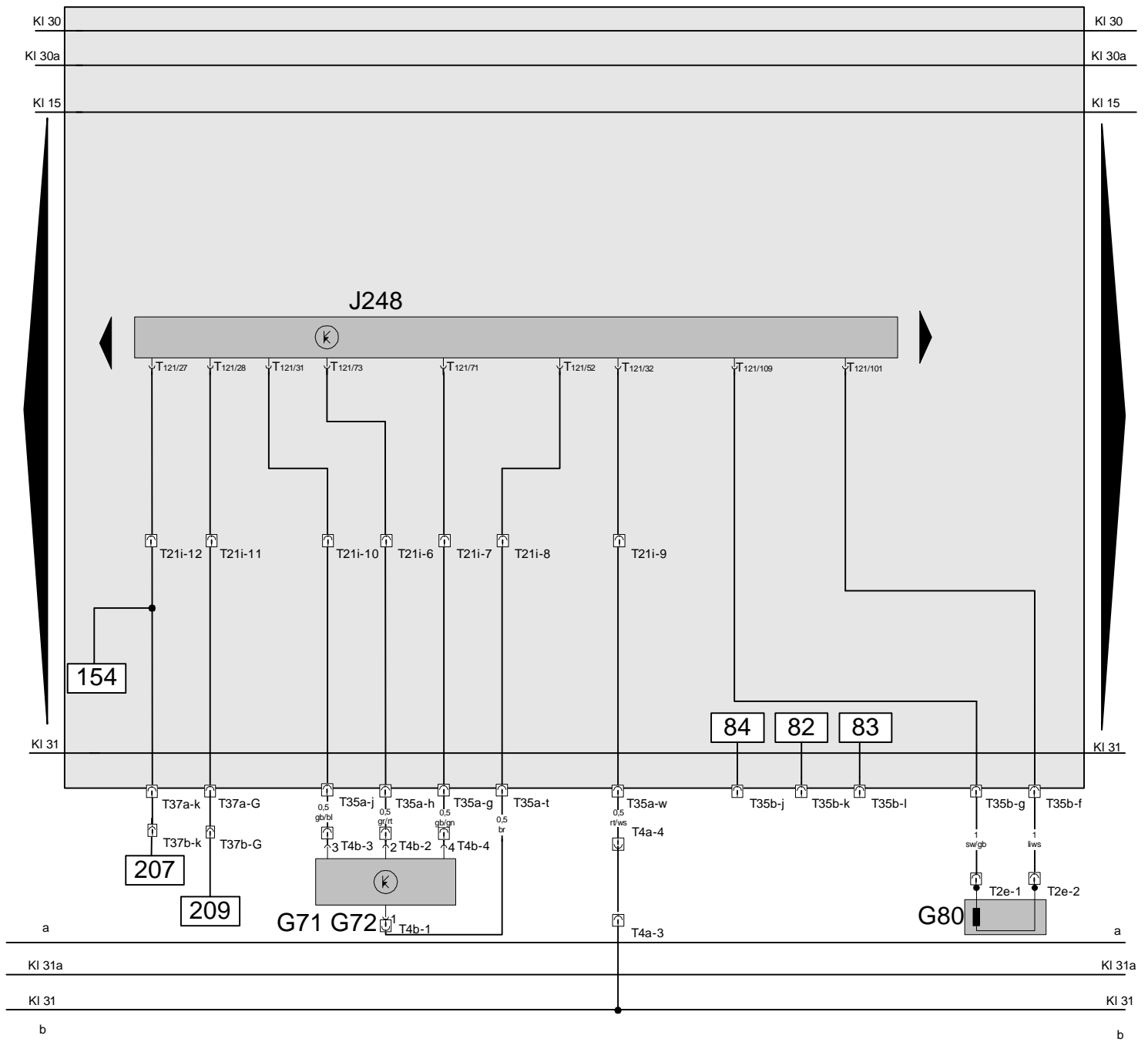
rt = red	sw = black	bl = blue
ws = white	gb = yellow	gr = gray
gn = green	li = violet	



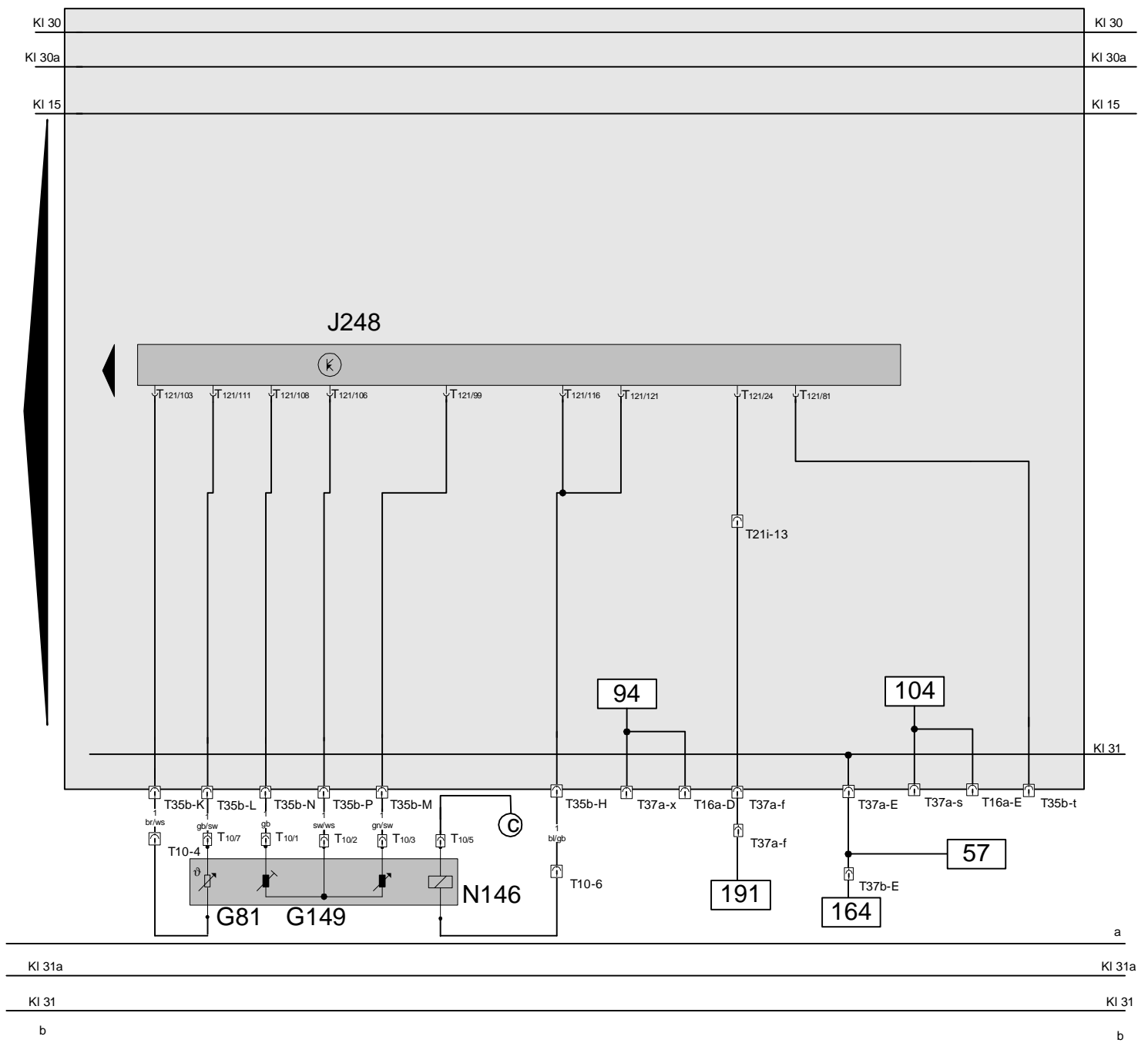
90	T16a	16pin connector at bottom of central electric box	a	terminal 15 in engine harness
91	T35a	35pin connector at bottom of central electric box	b	sensor ground in engine harness
92	T35b	35pin connector at the back side of central electric box		
93	T37a	37pin connector at bottom of central electric box		
94	T37b	37pin connector near the panel		
95	J593	relay "ground free" shutoff device		
96	J594	stop relay		
97	F60	idele switch in pedal-force sensor		
98	G79	sensor in pedal-force sensor		
99	N109	shutoff device		
100	G28	rpm sensor		
101	T15i	15pin internal connector in central electric		
102	T12i	12pin internal connector in central electric		
103	T21i	21pin internal connector in central electric		
104	T18i	18pin internal connector in central electric		
105	T121	121pin two part connector pin 1-81 and pin 82-121		
106	T6	6pin connector at pedal-force sensor		
	T2	2pin connector at rpm sensor		

Colors:

rt = red	sw = black	bl = blue
ws = white	gb = yellow	gr = gray
gn = green	li = violet	

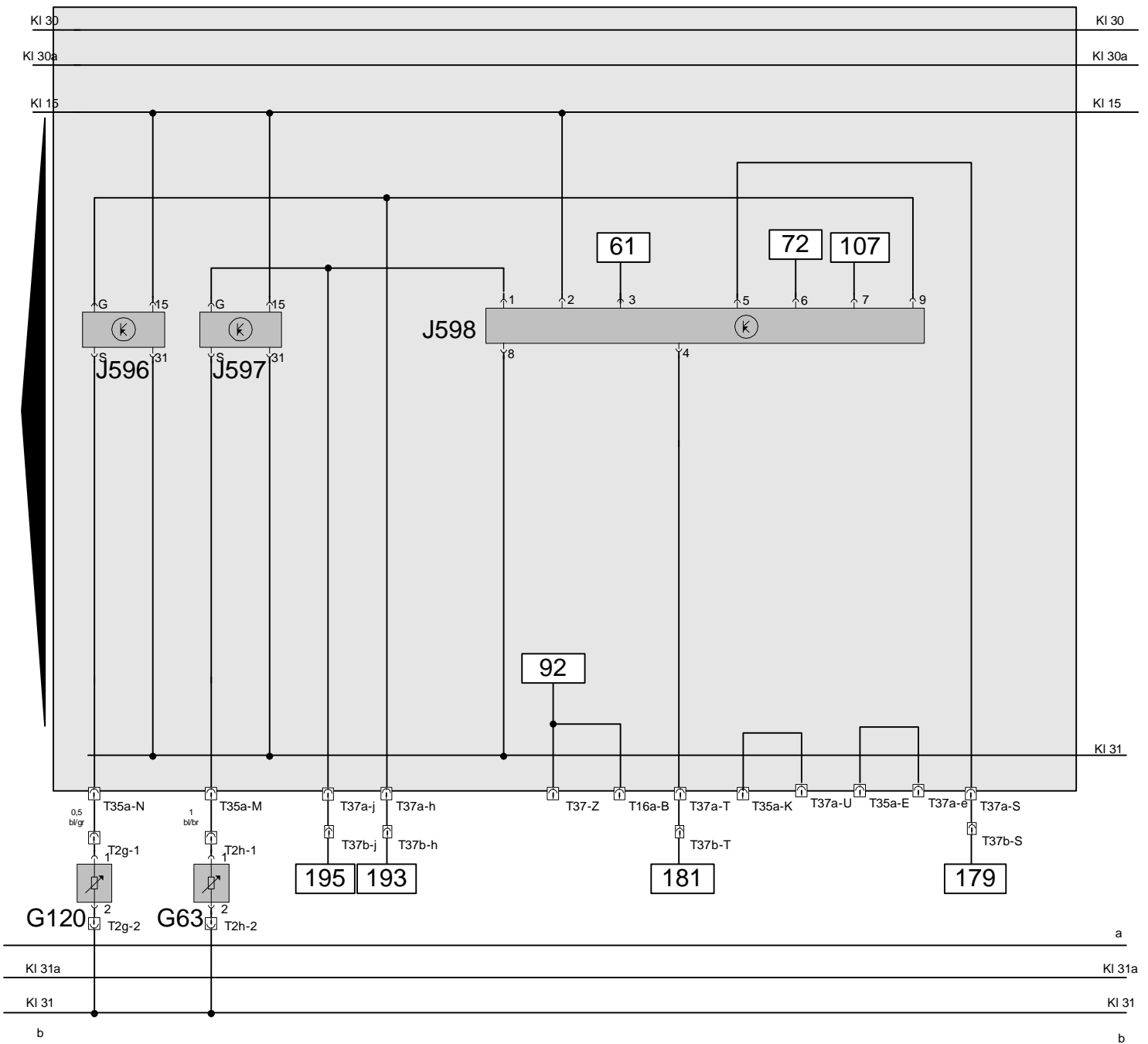


107	108	109	110	111	112	113	114	115	116	117	118	119	120	121	122	123
T16a	16pin connector at bottom of central electric box										a	terminal 15 in engine harness				
T35a	35pin connector at bottom of central electric box										b	sensor ground in engine harness				
T35b	35pin connector at the back side of central electric box															
T37a	37pin connector at bottom of central electric box															
T37b	37pin connector near the panel															
J248	MDC (ECU)															
F36	alpha-one switch															
G71 G72	sensor air temp. and pressure															
G80	needle-stroke sensor															
T15i	15pin internal connector in central electric															
T12i	12pin internal connector in central electric															
T21i	21pin internal connector in central electric															
T18i	18pin internal connector in central electric															
T121	121pin two part connector pin 1-81 and pin 82-121															
T4a	4pin connector of "gear box " at the back of the engine										Colors:					
T4b	4pin connector at air temp. and pressure sensor										rt = red	sw = black	bl = blue			
T2e	2pin connector at needle-stroke sensor										ws = white	gb = yellow	gr = gray			
											gn = green	li = violet				



124	125	126	127	128	129	130	131	132	133	134	135	136	137	138	139	140
T16a	16pin connector at bottom of central electric box											a	terminal 15 in engine harness			
T35a	35pin connector at bottom of central electric box											b	sensor ground			
T35b	35pin connector at the back side of central electric box											c	connection in harness			
T37a	37pin connector at bottom of central electric box															
T37b	37pin connector near the panel															
J248	MDC (ECU)															
G81	fuel temp. sensor in distribution pump															
G149	modulation piston movement sensor in distribution pump															
N146	metering adjuster sensor in distribution pump															
T15i	15pin internal connector in central electric															
T12i	12pin internal connector in central electric															
T21i	21pin internal connector in central electric															
T18i	18pin internal connector in central electric															
T121	121pin two part connector pin 1-81 and pin 82-121															
T10	10pin sensor at distribution pump															

Colors:
 rt = red sw = black bl = blue
 ws = white gb = yellow gr = gray
 gn = green li = violet



141 142 143 144 145 146 147 148 149 150 151 152 153 154 155 156 157

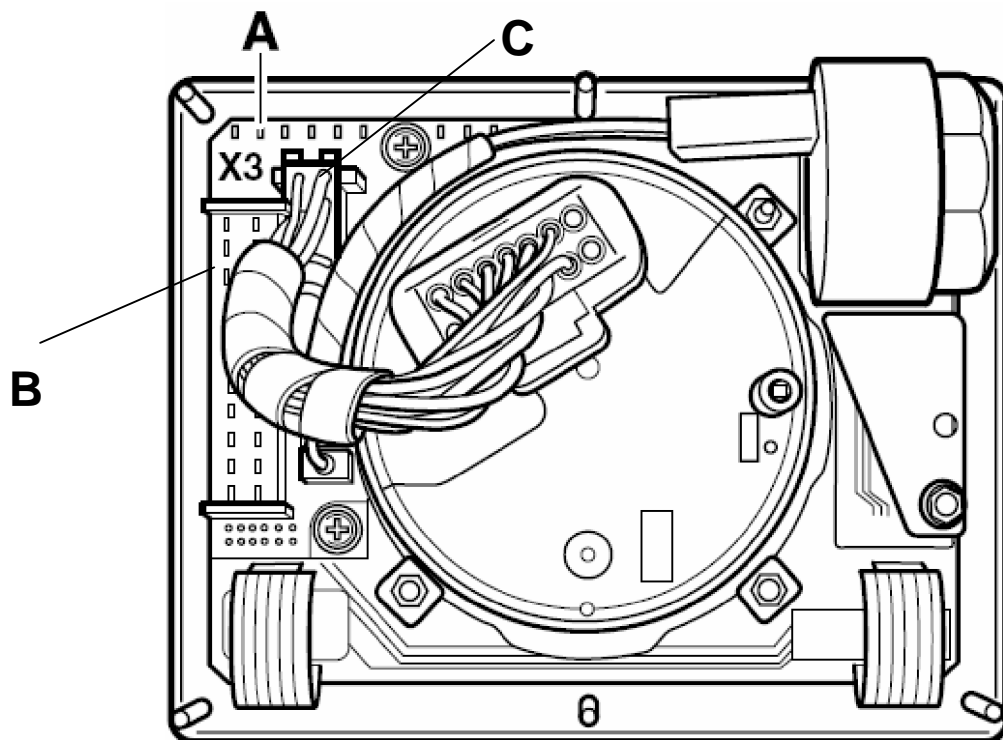
- T16a 16pin connector at bottom of central electric box
- T35a 35pin connector at bottom of central electric box
- T35b 35pin connector at the back side of central electric box
- T37a 37pin connector at bottom of central electric box
- T37b 37pin connector near the panel
- T2g 2pin connector of coolant level sensor
- T2h 2pin connector of "water in fuel" sensor
- G120 coolant level sensor
- G63 "water in fuel" sensor
- J596 relay "coolant level"
- J597 relay "water in fuel"
- J598 acoustic alert relay
- T121 121pin two part connector pin 1-81 and pin 82-121

- a Terminal 15 in engine harness
- b sensor ground in engine harness

Colors:

- rt = red
- sw = black
- bl = blue
- ws = white
- gb = yellow
- gr = gray
- gn = green
- li = violet

Instruments



A Tx3 Contacts for options

1 = NMEA A

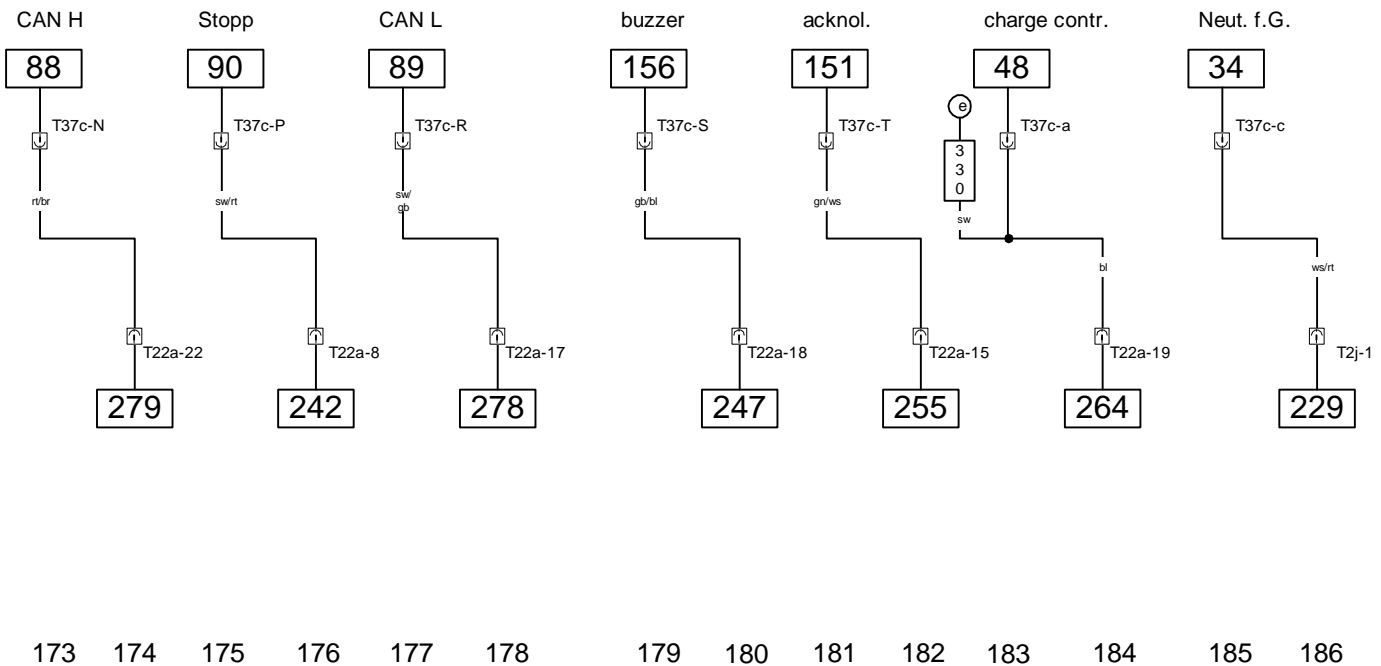
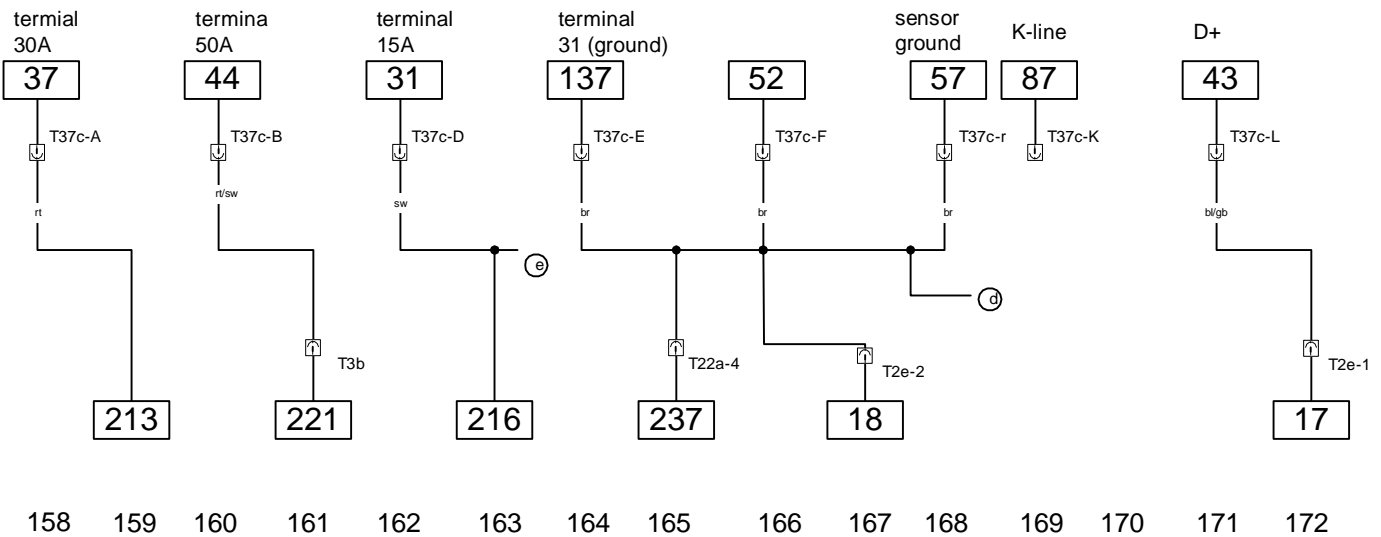
2 = NMEA B

3 = Ground

4 = Terminal 15

B T22a 22pin connector at the panel

C T14 14pin connector at the panel

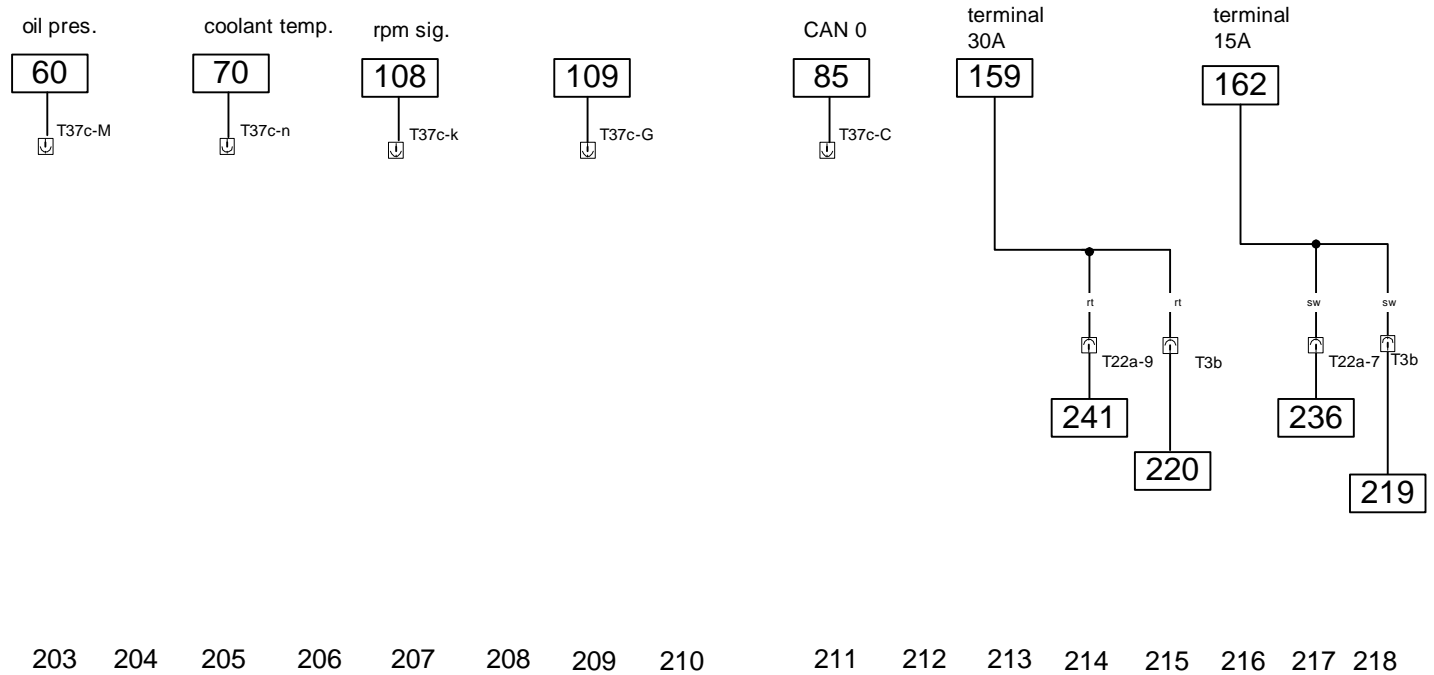
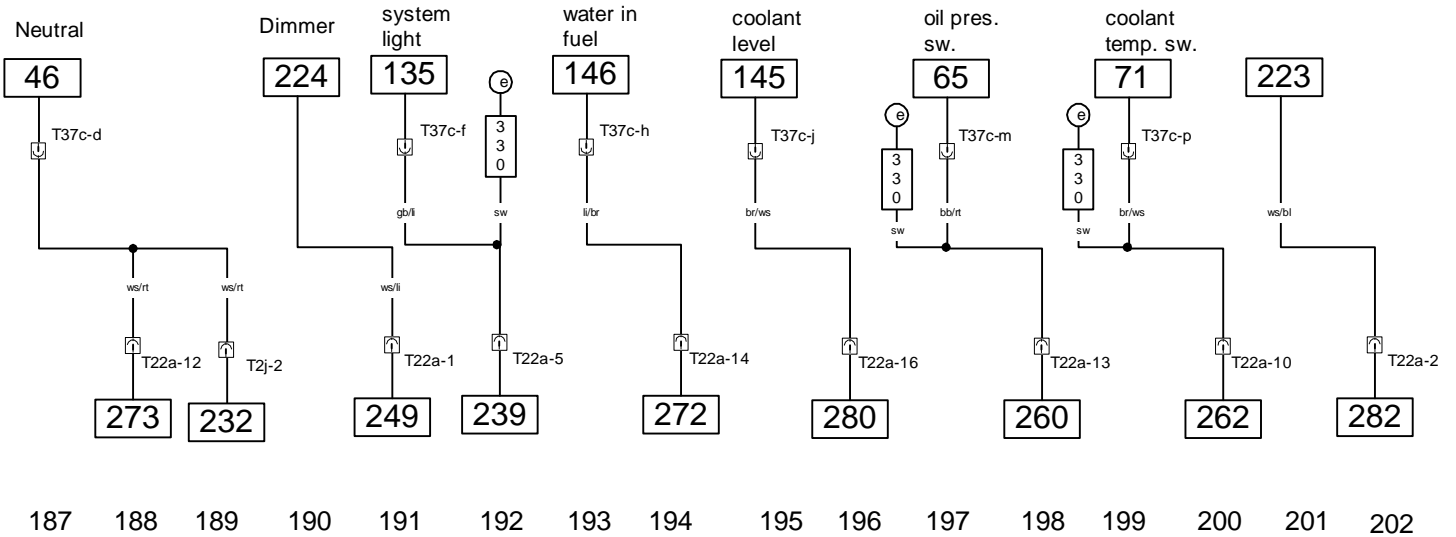


T37c 37pin connector at adapting harness
 T22a 22pin connector at adapting harness
 T2e 2 flat pin connectors for battery isolation (option)
 T2j 2 flat pin connectors for nettral switch of control lever
 T3b 3 flat pin connectors for ignition key

d connection in harness
 e connection in harness

Colors:

rt = red sw = black bl = blue
 ws = white gb = yellow gr = gray
 gn = green li = violet

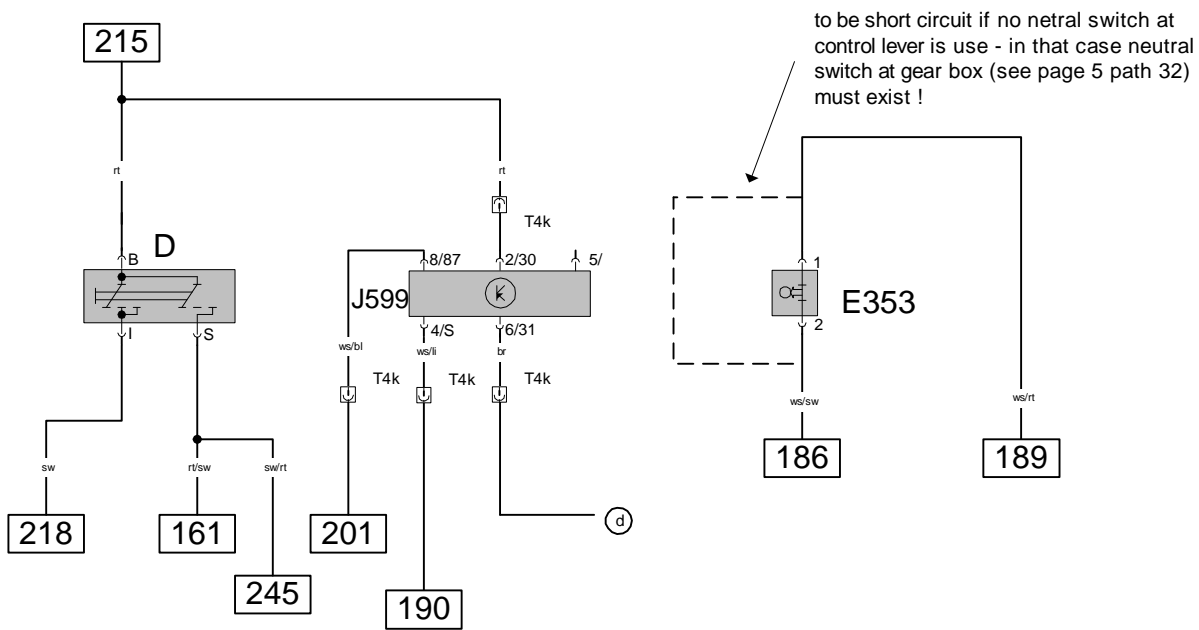


T37c 37pin connector at adapting harness
 T22a 22pin connector at adapting harness
 T2e 2 flat pin connectors for battery isolation (option)
 T2j 2 flat pin connectors for nettral switch of control lever
 T3b 3 flat pin connectors for ignition key

d connection in harness
 e connection in harness

Colors:

rt = red sw = black bl = blue
 ws = white gb = yellow gr = gray
 gn = green li = violet

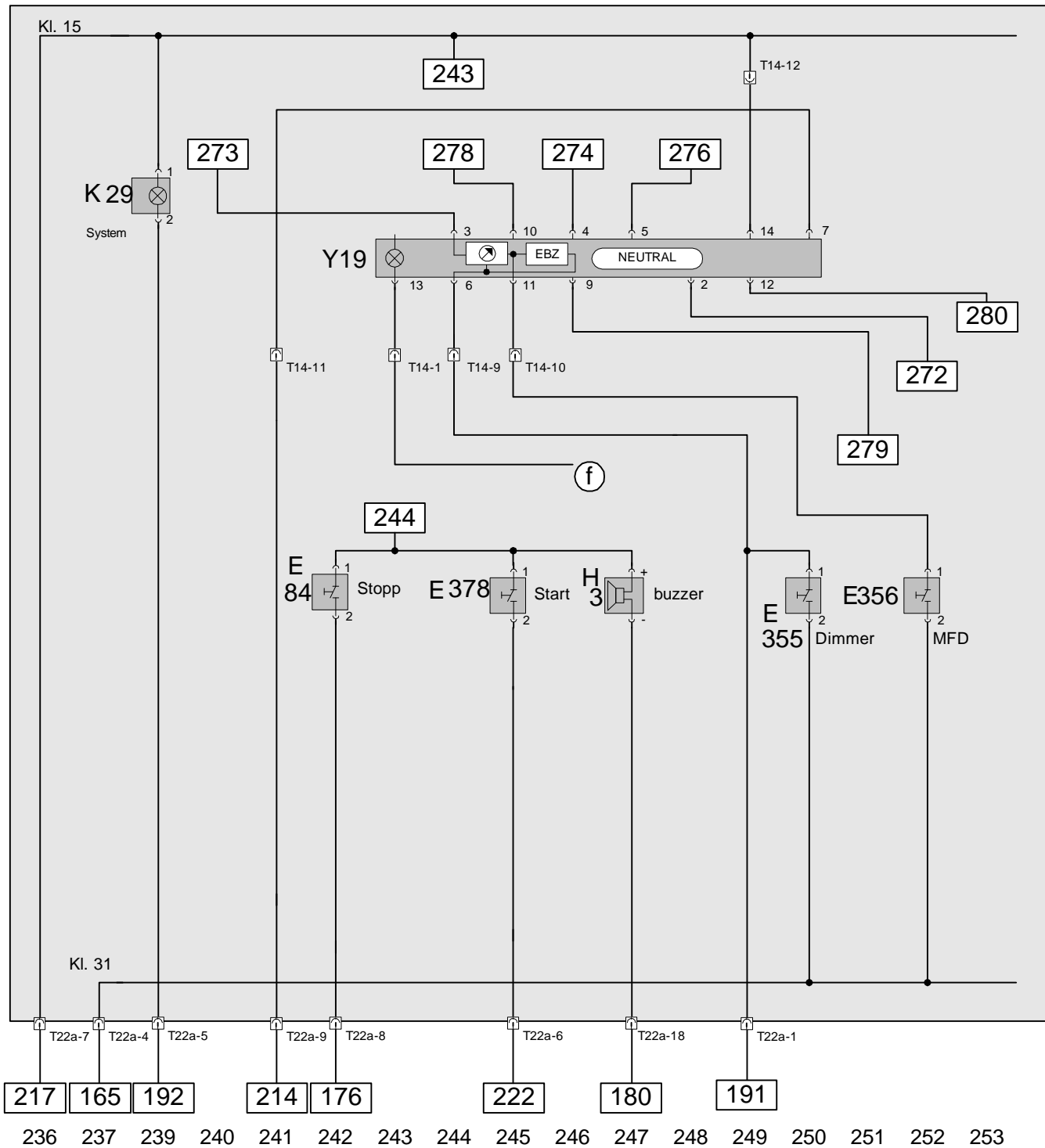


219 220 221 222 223 224 225 226 227 228 229 230 231 232 233 234 235

- T4k relay socket on adapting harness
- D ignition key
- J599 relay for dimming
- E353 neutral switch in control lever
- d connection in harness

Colors:

rt = red	sw = black	bl = blue
ws = white	gb = yellow	gr = gray
gn = green	li = violet	

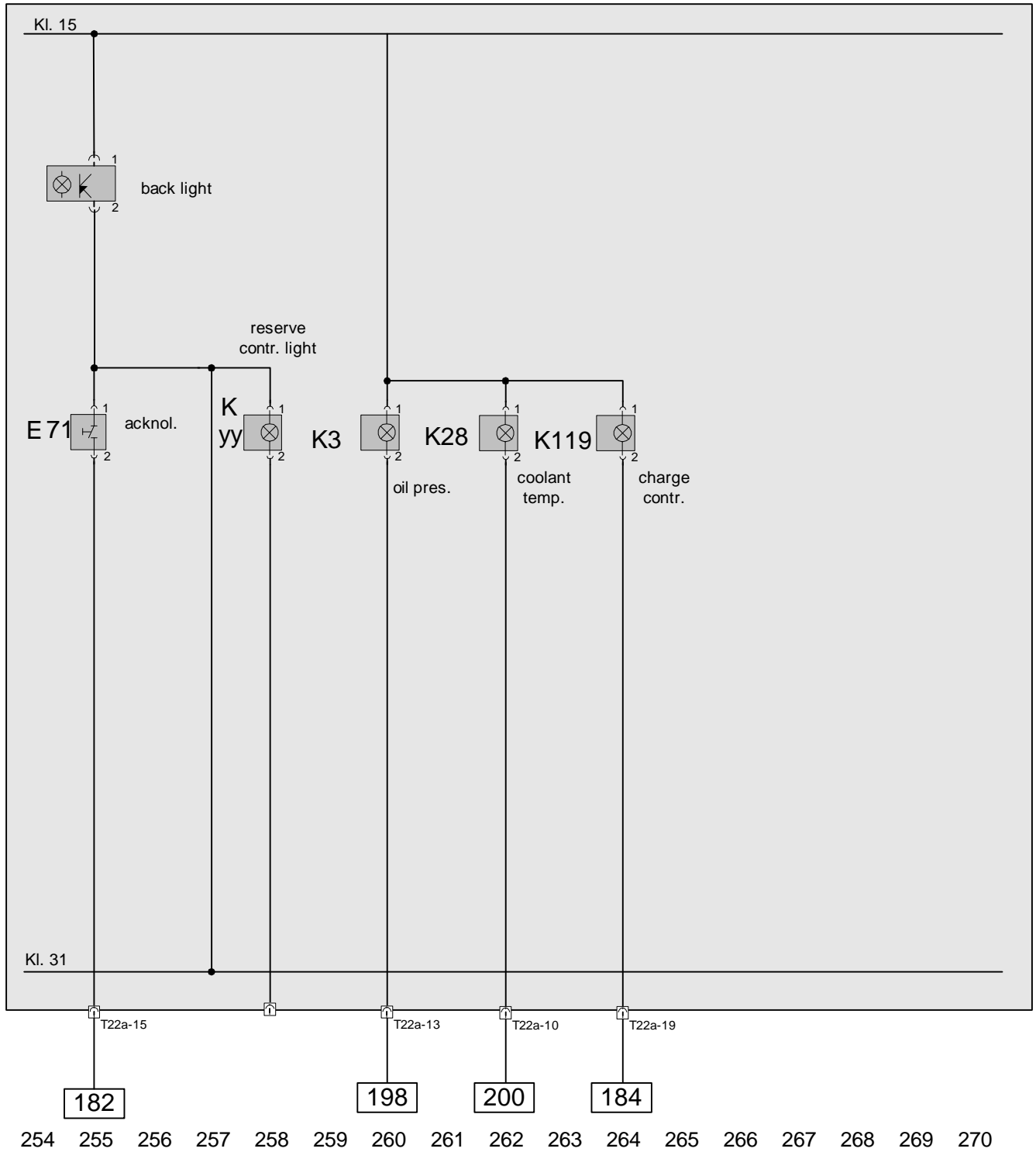


- T22a board 22pin connector at panel
- T14 14pin connector at panel
- E378 start key
- E84 stop key
- Y19 tacho with MFD (multi function display)
- K29 system control light
- H3 buzzer
- E355 key for instrument lights
- E356 key for MFD

f connection on the panel

Colors:

- rt = red
- sw = black
- bl = blue
- ws = white
- gb = yellow
- gr = gray
- gn = green
- li = violet

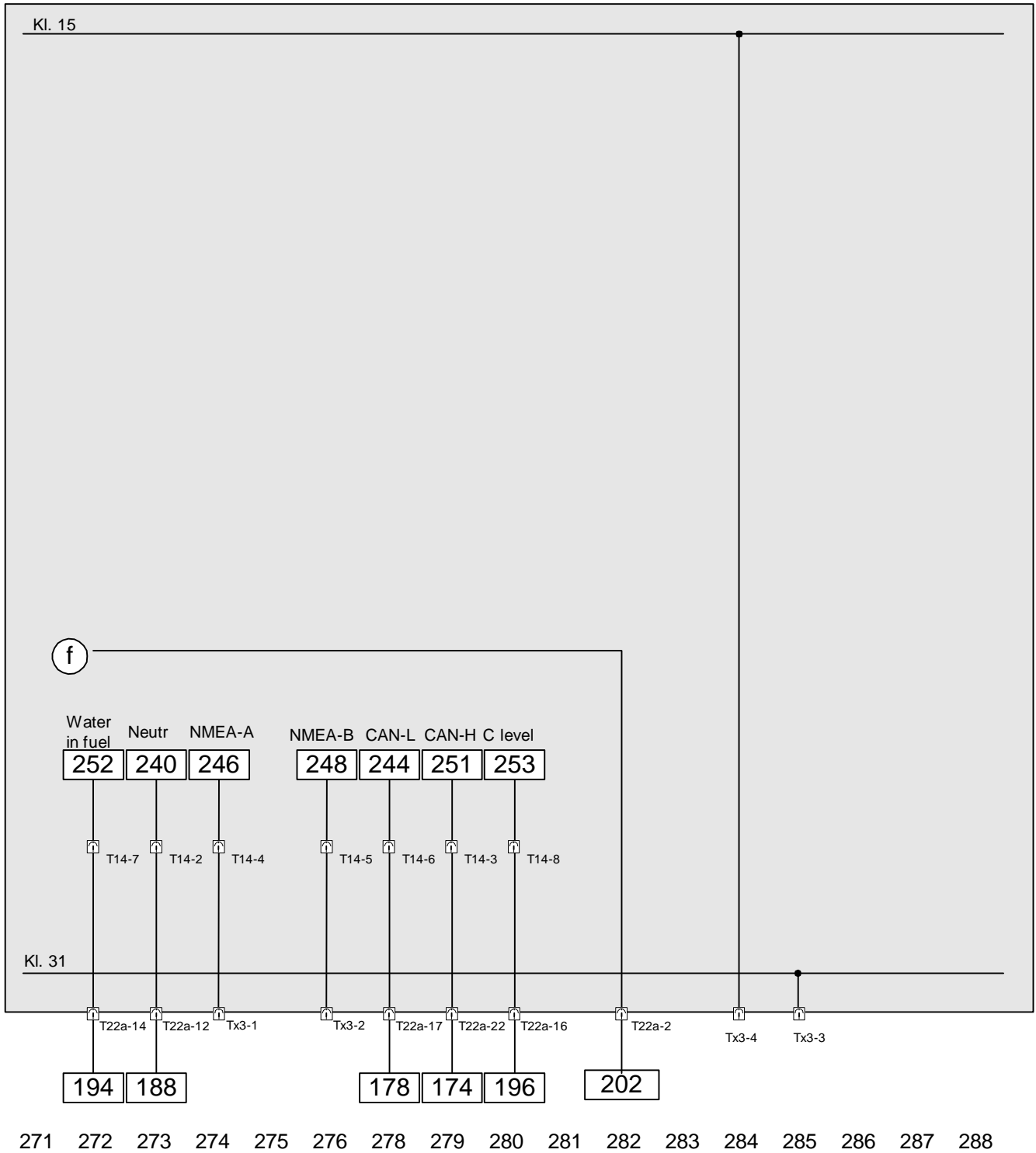


T22a 22pin connector at the panel
 T14 14pin connector at the panel
 E71 acknol. for acoustic alert
 Kyy reserve light
 K3 warning light for oil pressure
 K119 charge control light
 K28 warning light for high coolant temp.

f connection on the panel board

Colors:

rt = red sw = black bl = blue
 ws = white gb = yellow gr = gray
 gn = green li = violet



T22a 22pin connector at the panel
T14 14 pin connector at the panel
Tx3 flat pin connectors for options

f connection on panel board

Colors:

rt = red	sw = black	bl = blue
ws = white	gb = yellow	gr = gray
gn = green	li = violet	