

UNIT OF MEASURE	SCALE
in. [mm]	1" = 1' 25.4mm = 304mm

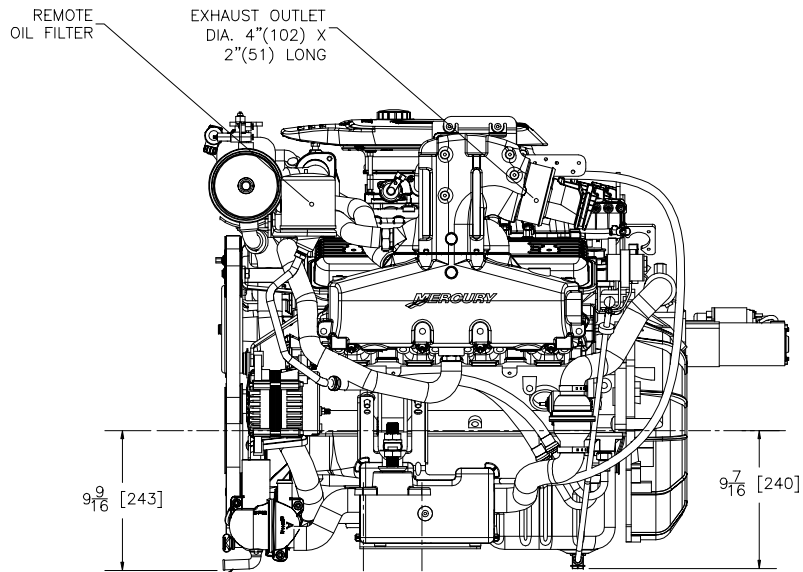
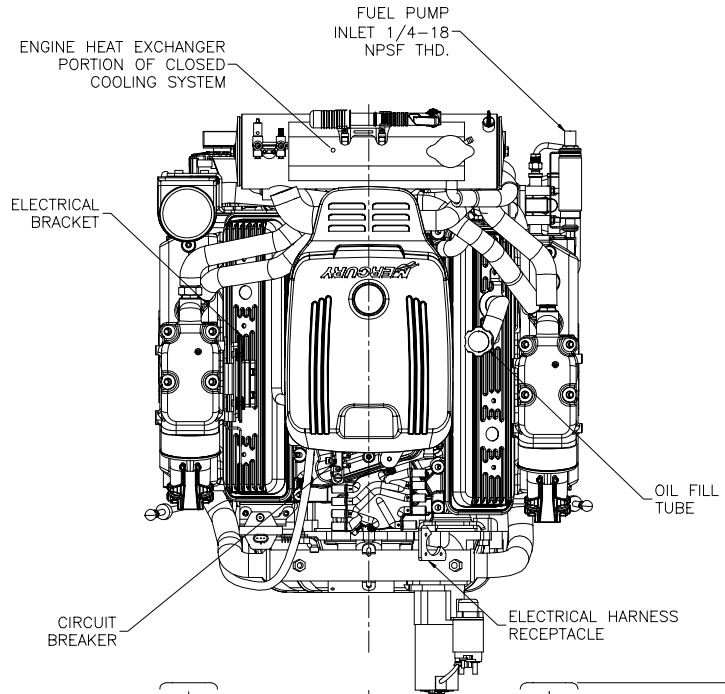
864777 SHEET 1 OF 4
350 MAG MPI HORIZON/MX 6.2L MPI HORIZON WITH VELVET DRIVE 72C IN-LINE TRANSMISSION

NOTES:
(1) DIMENSIONS REQUIRE A MINIMUM 1/2 in. (13mm) CLEARANCE FOR MOTOR MOUNT DEFLECTION.
(2) DIMENSIONS TO SEA WATER PUMP INLET.

NOTES:

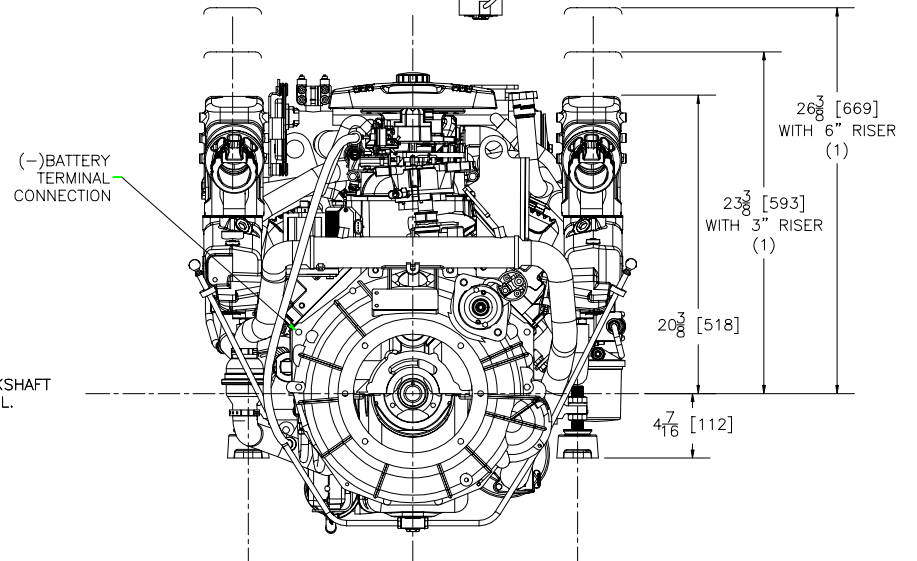
(1) DIMENSIONS REQUIRE A MINIMUM 1/2 in. (13mm) CLEARANCE FOR MOTOR MOUNT DEFLECTION.

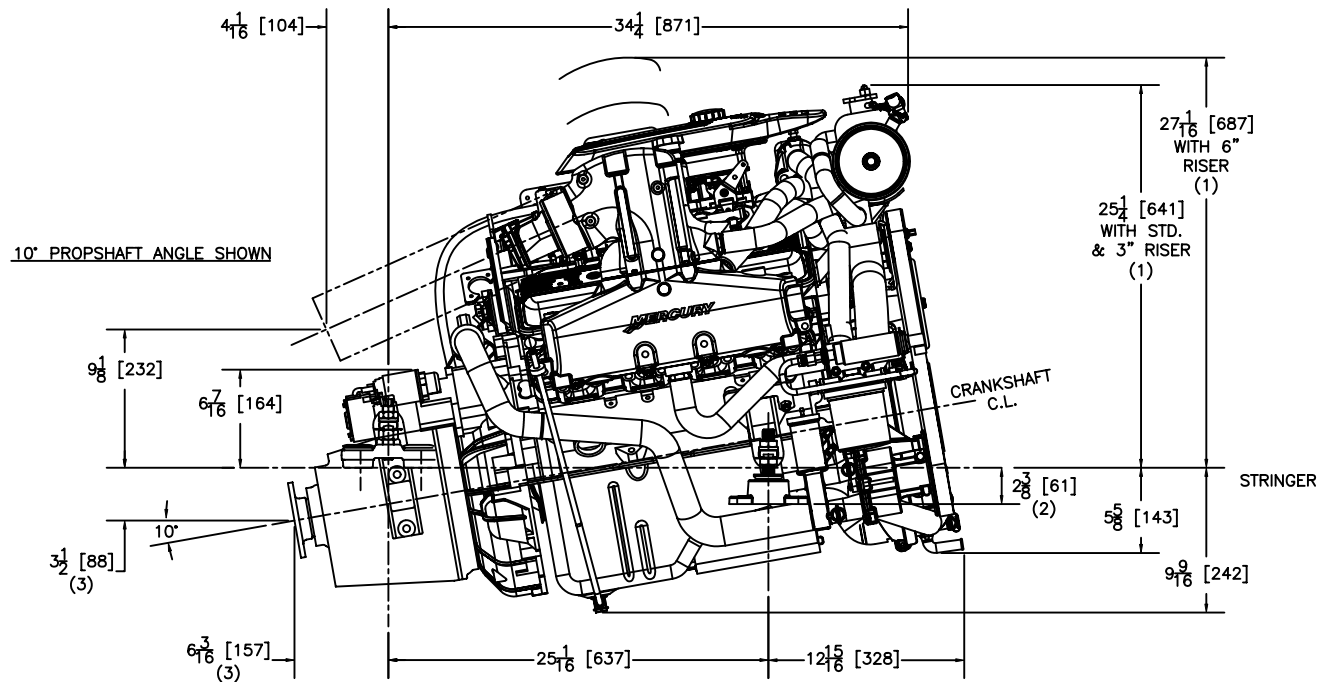
UNIT OF MEASURE in. [mm]	SCALE 1" = 1' 25.4mm = 304mm
-----------------------------	------------------------------------



PORT SIDE WATER DRAIN (AIR ACTUATED SYSTEM)

4 [102] BETWEEN 1/2 [13] NOM. DIA. BOLT HOLES



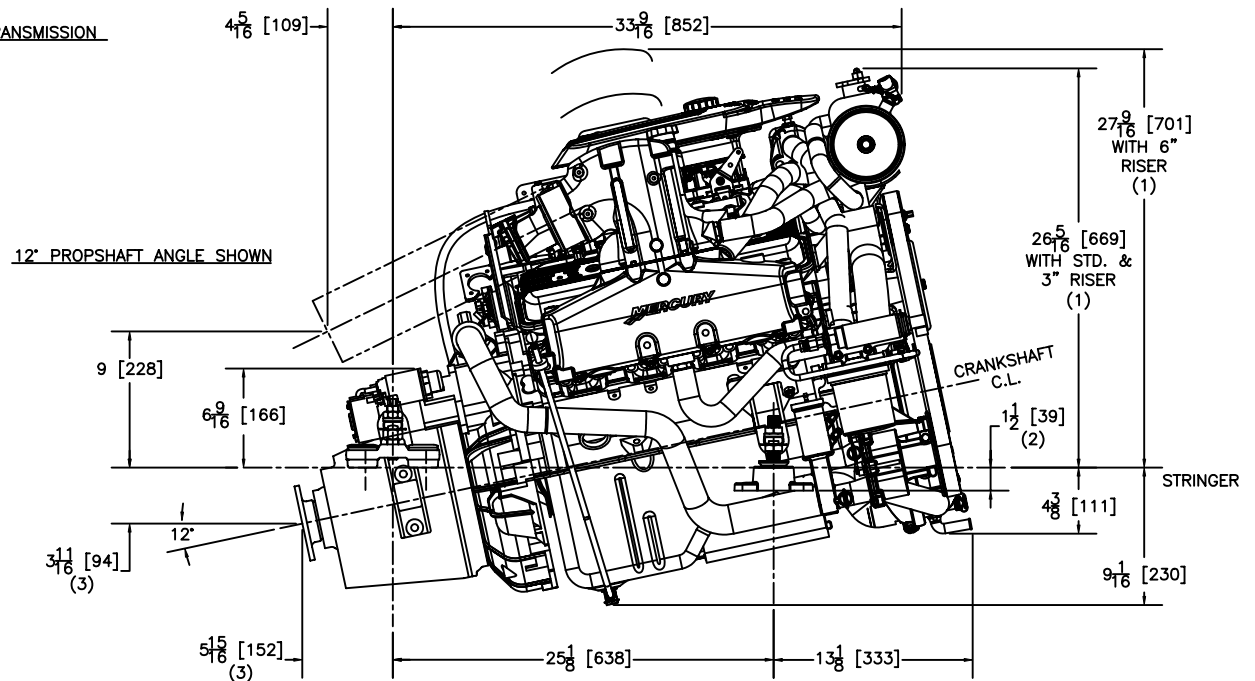


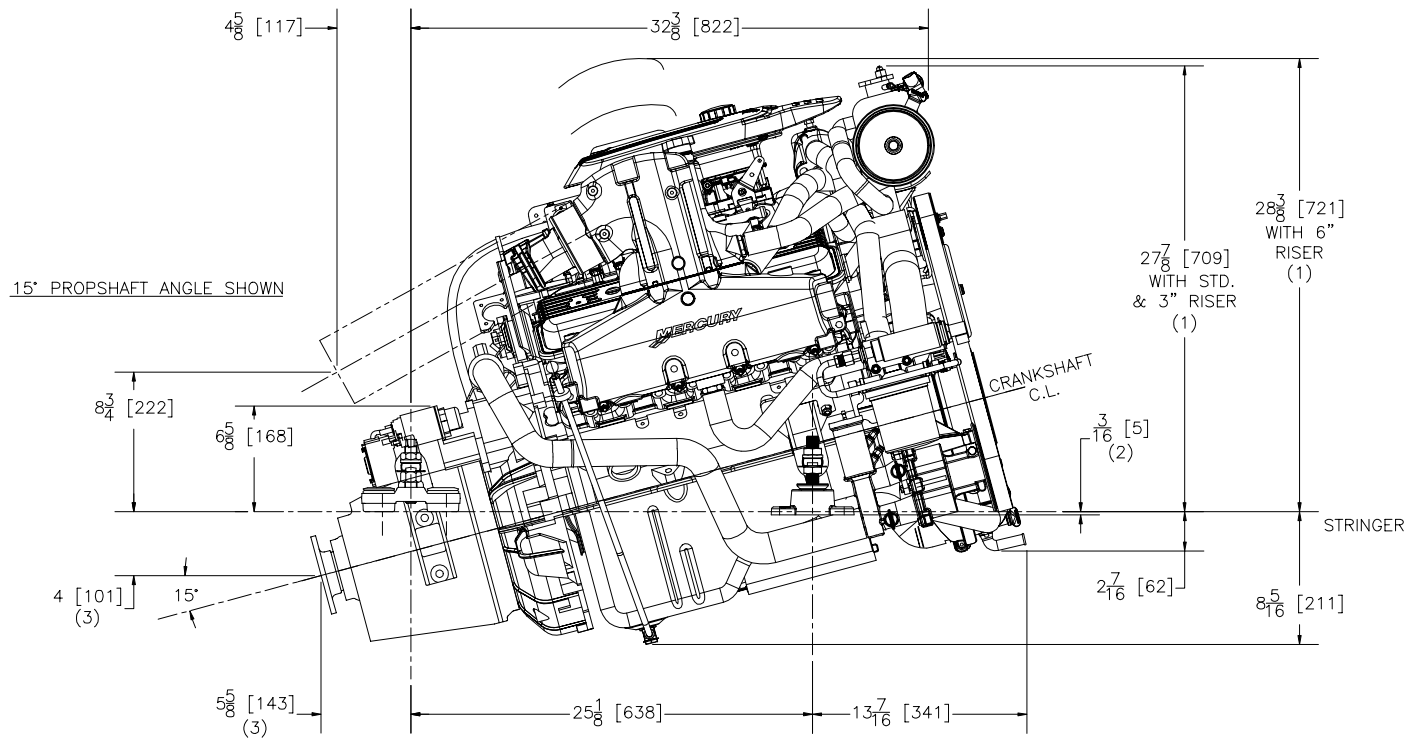
864777 SHEET 3 OF 4

350 MAG MPI HORIZON/MX 6.2L MPI HORIZON WITH VELVET DRIVE 72C IN-LINE TRANSMISSION

NOTES:

- (1) DIMENSIONS REQUIRE A MINIMUM 1/2 in. (13mm) CLEARANCE FOR MOTOR MOUNT DEFLECTION.
- (2) BASE OF MOUNT TO BE PARALLEL TO STRINGER. MOUNTS SHOWN AT CENTER OF ADJUSTMENT.
- (3) DIMENSIONS APPLY TO POINT OF INTERSECTION OF OUTPUT SHAFT CENTERLINE AND OUTPUT FLANGE FACE.





864777 SHEET 4 OF 4

350 MAG MPI HORIZON/MX 6.2L MPI HORIZON WITH VELVET DRIVE 72C IN-LINE TRANSMISSION

NOTES:

- (1) DIMENSIONS REQUIRE A MINIMUM 1/2 in. (13mm) CLEARANCE FOR MOTOR MOUNT DEFLECTION.
- (2) BASE OF MOUNT TO BE PARALLEL TO STRINGER. MOUNTS SHOWN AT CENTER OF ADJUSTMENT.
- (3) DIMENSIONS APPLY TO POINT OF INTERSECTION OF OUTPUT SHAFT CENTERLINE AND OUTPUT FLANGE FACE.