

<p align="center"><b>DRW57-017 SHEET 1 OF 5</b>  <b>350 MAG MPI HORIZON / MX 6.2L MPI HORIZON</b>  <b>WITH VELVET DRIVE 72C IN-LINE TRANSMISSION</b></p>	<p align="center">UNIT OF MEASURE  in. (mm)</p>	<p align="center">SCALE  1" = 1'  25.4 mm = 305 mm</p>
<p><b>NOTES:</b></p> <p>(1) DIMENSIONS REQUIRE A MINIMUM OF 1/2 in. (13 mm) CLEARANCE FOR MOTOR MOUNT DEFLECTION.</p> <p>(2) SELECT THE APPROPRIATE EXHAUST RISE-HEIGHT TO MAINTAIN A MINIMUM OF 13 in. (330 mm) BETWEEN THE TOP OF THE EXHAUST ELBOW AND THE WATERLINE OF THE BOAT AT MAXIMUM RATED LOAD.</p> <p>(3) DIMENSIONS APPLY TO POINT OF INTERSECTION OF OUTPUT SHAFT CENTERLINE AND OUTPUT FLANGE FACE.</p> <p>(4) DIMENSIONS TO SEA WATER PUMP INLET.</p> <p>(5) BASE OF MOUNT TO BE PARALLEL TO STRINGER. MOUNTS SHOWN AT CENTER OF ADJUSTMENT.</p>		

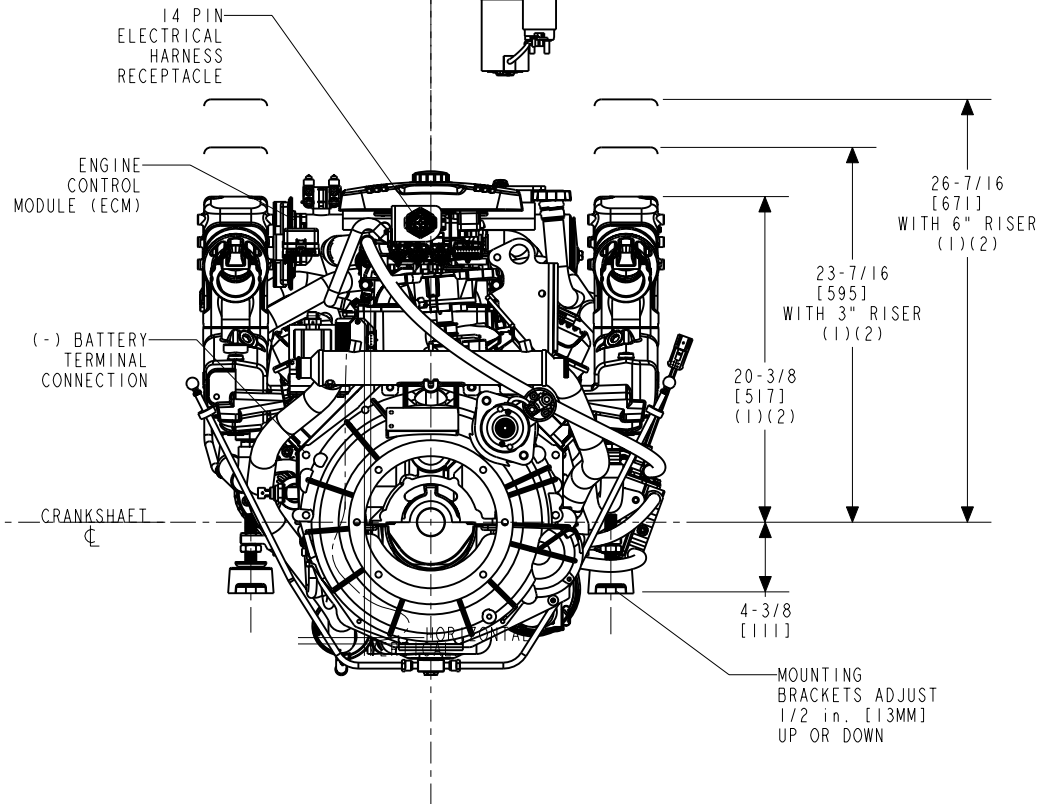
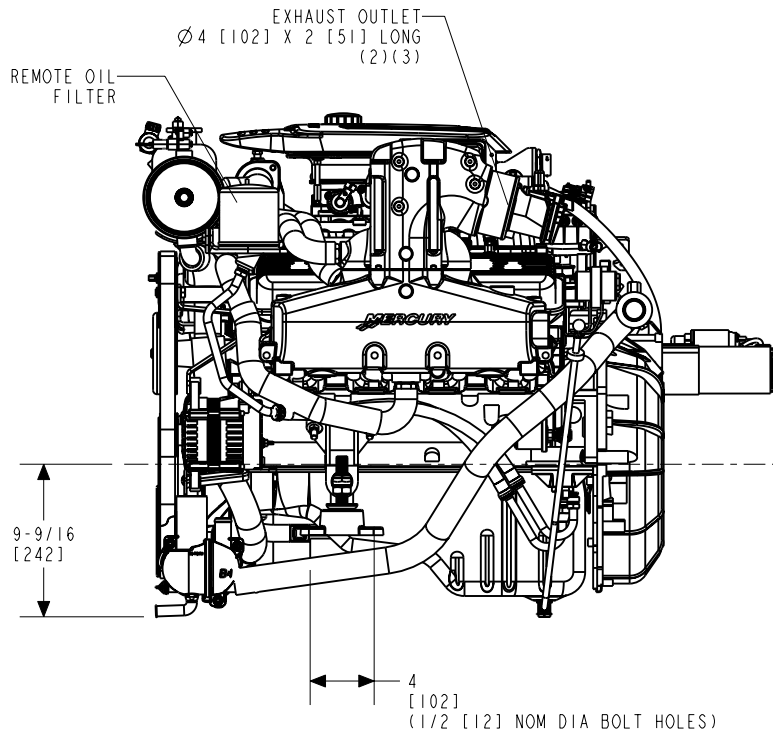
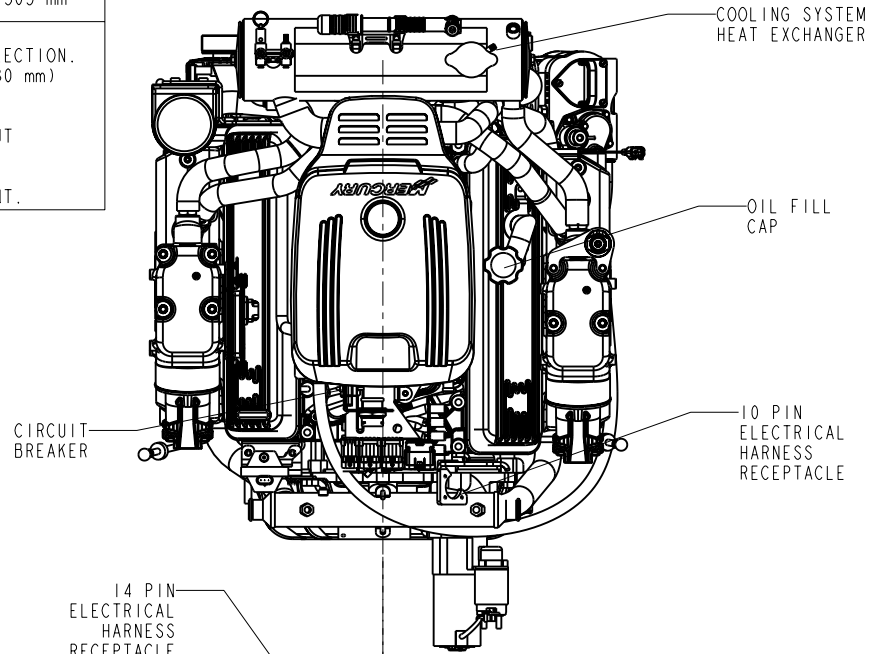
**DRW57-017 SHEET 2 OF 5**  
**350 MAG MPI HORIZON / MX 6.2L MPI HORIZON**  
**WITH VELVET DRIVE 72C IN-LINE TRANSMISSION**

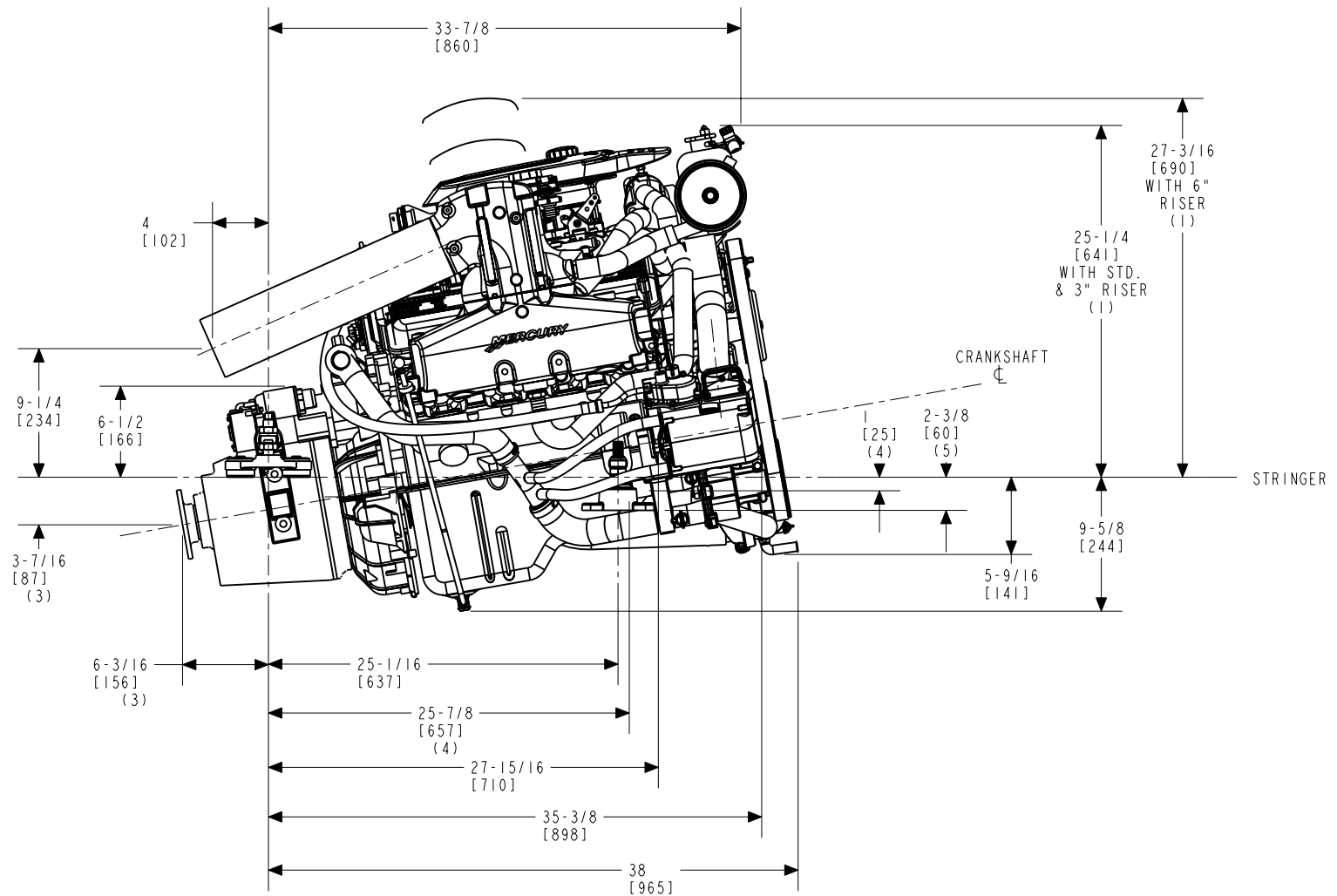
UNIT OF MEASURE  
 in. (mm)

SCALE  
 1" = 1'  
 25.4 mm = 305 mm

**NOTES:**

- (1) DIMENSIONS REQUIRE A MINIMUM OF 1/2 in. (13 mm) CLEARANCE FOR MOTOR MOUNT DEFLECTION.
- (2) SELECT THE APPROPRIATE EXHAUST RISE-HEIGHT TO MAINTAIN A MINIMUM OF 13 in. (330 mm) BETWEEN THE TOP OF THE EXHAUST ELBOW AND THE WATERLINE OF THE BOAT AT MAXIMUM RATED LOAD.
- (3) DIMENSIONS APPLY TO POINT OF INTERSECTION OF OUTPUT SHAFT CENTERLINE AND OUTPUT FLANGE FACE.
- (4) DIMENSIONS TO SEA WATER PUMP INLET.
- (5) BASE OF MOUNT TO BE PARALLEL TO STRINGER. MOUNTS SHOWN AT CENTER OF ADJUSTMENT.





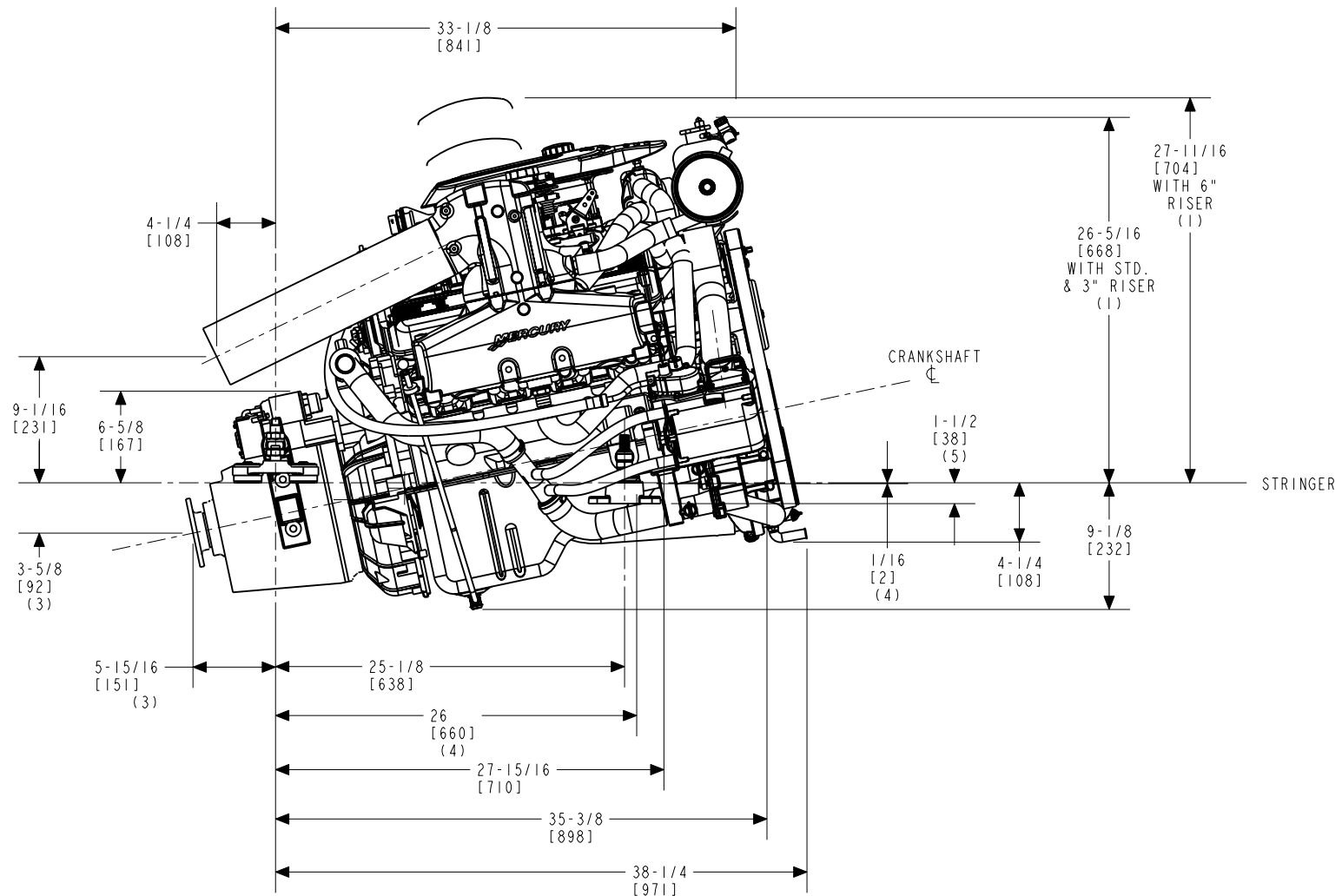
10° PROPSHAFT ANGLE SHOWN

DRW57-017 SHEET 3 OF 5  
 350 MAG MPI HORIZON / MX 6.2L MPI HORIZON  
 WITH VELVET DRIVE 72C IN-LINE TRANSMISSION

UNIT OF MEASURE  
 in. (mm)

SCALE  
 1" = 1'  
 25.4 mm = 305 mm

- NOTES:
- (1) DIMENSIONS REQUIRE A MINIMUM OF 1/2 in. (13 mm) CLEARANCE FOR MOTOR MOUNT DEFLECTION.
  - (2) SEE THE INSTALLATION MANUAL FOR EXHAUST SPECIFICATIONS.
  - (3) DIMENSIONS APPLY TO POINT OF INTERSECTION OF OUTPUT SHAFT CENTERLINE AND OUTPUT FLANGE FACE.
  - (4) DIMENSIONS TO SEA WATER PUMP INLET.
  - (5) BASE OF MOUNT TO BE PARALLEL TO STRINGER. MOUNTS SHOWN AT CENTER OF ADJUSTMENT.



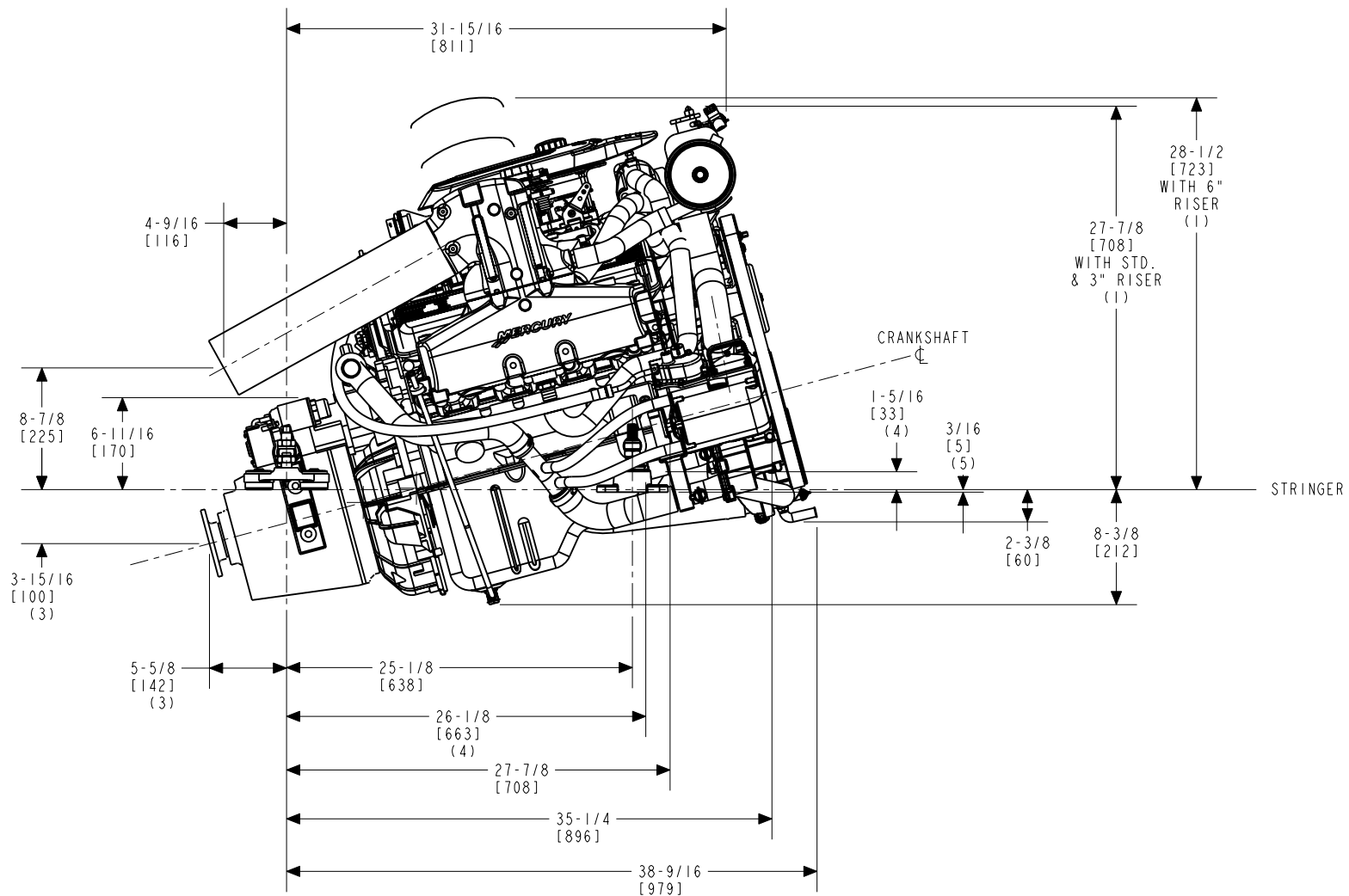
12° PROPSHAFT ANGLE SHOWN

DRW57-017 SHEET 4 OF 5  
 350 MAG MPI HORIZON / MX 6.2L MPI HORIZON  
 WITH VELVET DRIVE 72C IN-LINE TRANSMISSION

UNIT OF MEASURE  
 in. (mm)

SCALE  
 1" = 1'  
 25.4 mm = 305 mm

- NOTES:
- (1) DIMENSIONS REQUIRE A MINIMUM OF 1/2 in. (13 mm) CLEARANCE FOR MOTOR MOUNT DEFLECTION.
  - (2) SEE THE INSTALLATION MANUAL FOR EXHAUST SPECIFICATIONS.
  - (3) DIMENSIONS APPLY TO POINT OF INTERSECTION OF OUTPUT SHAFT CENTERLINE AND OUTPUT FLANGE FACE.
  - (4) DIMENSIONS TO SEA WATER PUMP INLET.
  - (5) BASE OF MOUNT TO BE PARALLEL TO STRINGER. MOUNTS SHOWN AT CENTER OF ADJUSTMENT.



15° PROPSHAFT ANGLE SHOWN

DRW57-017 SHEET 5 OF 5  
 350 MAG MPI HORIZON / MX 6.2L MPI HORIZON  
 WITH VELVET DRIVE 72C IN-LINE TRANSMISSION

UNIT OF MEASURE  
 in. (mm)

SCALE  
 1" = 1'  
 25.4 mm = 305 mm

NOTES:

- (1) DIMENSIONS REQUIRE A MINIMUM OF 1/2 in. (13 mm) CLEARANCE FOR MOTOR MOUNT DEFLECTION.
- (2) SEE THE INSTALLATION MANUAL FOR EXHAUST SPECIFICATIONS.
- (3) DIMENSIONS APPLY TO POINT OF INTERSECTION OF OUTPUT SHAFT CENTERLINE AND OUTPUT FLANGE FACE.
- (4) DIMENSIONS TO SEA WATER PUMP INLET.
- (5) BASE OF MOUNT TO BE PARALLEL TO STRINGER. MOUNTS SHOWN AT CENTER OF ADJUSTMENT.