

DRW57-014 SHEET 1 OF 5
 350 MAG MPI / MX 62L MPI
 WITH ZF 63A DOWN ANGLE TRANSMISSION

UNIT OF MEASURE
 in. (mm)

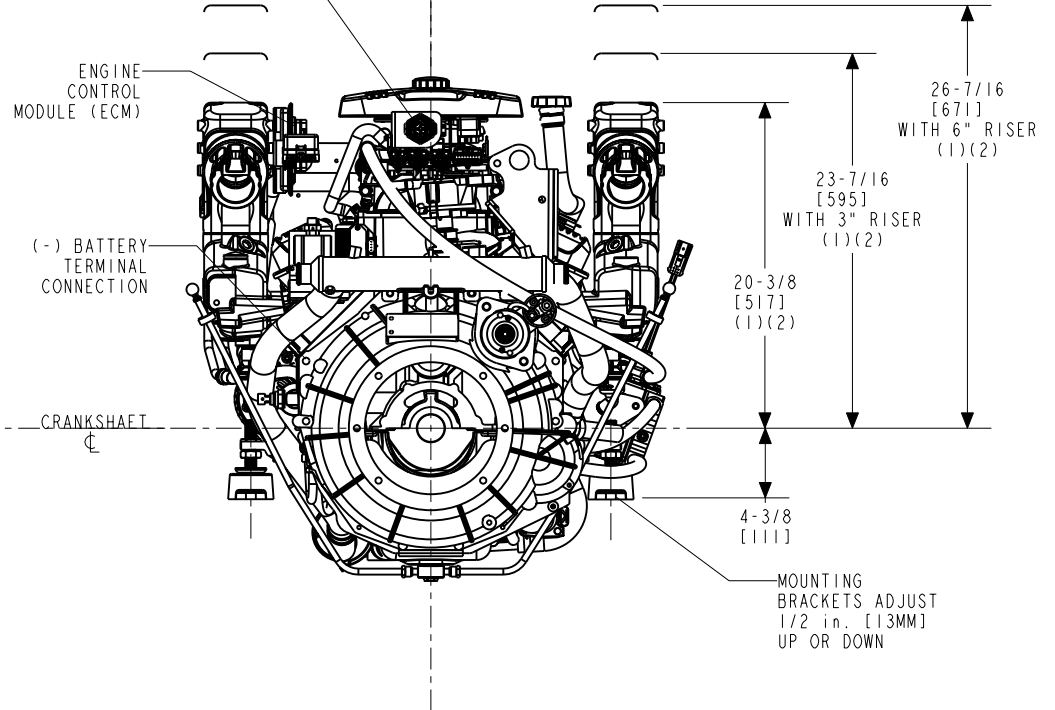
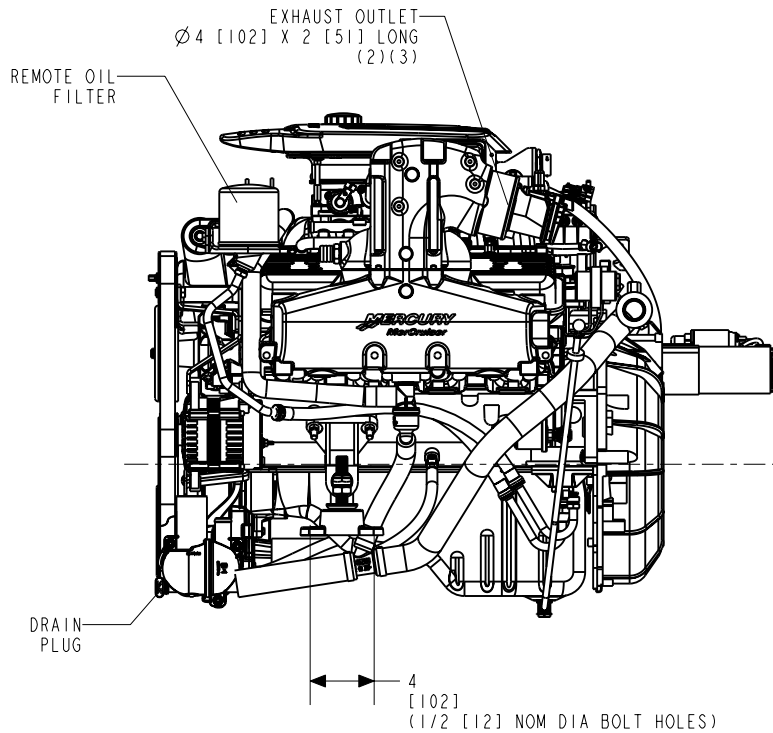
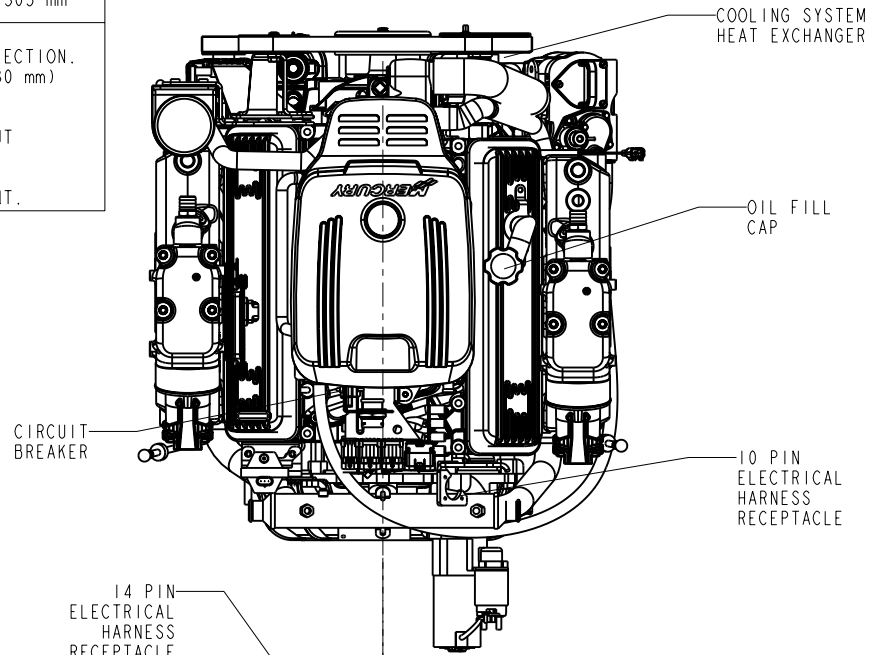
SCALE
 1" = 1'
 25.4 mm = 305 mm

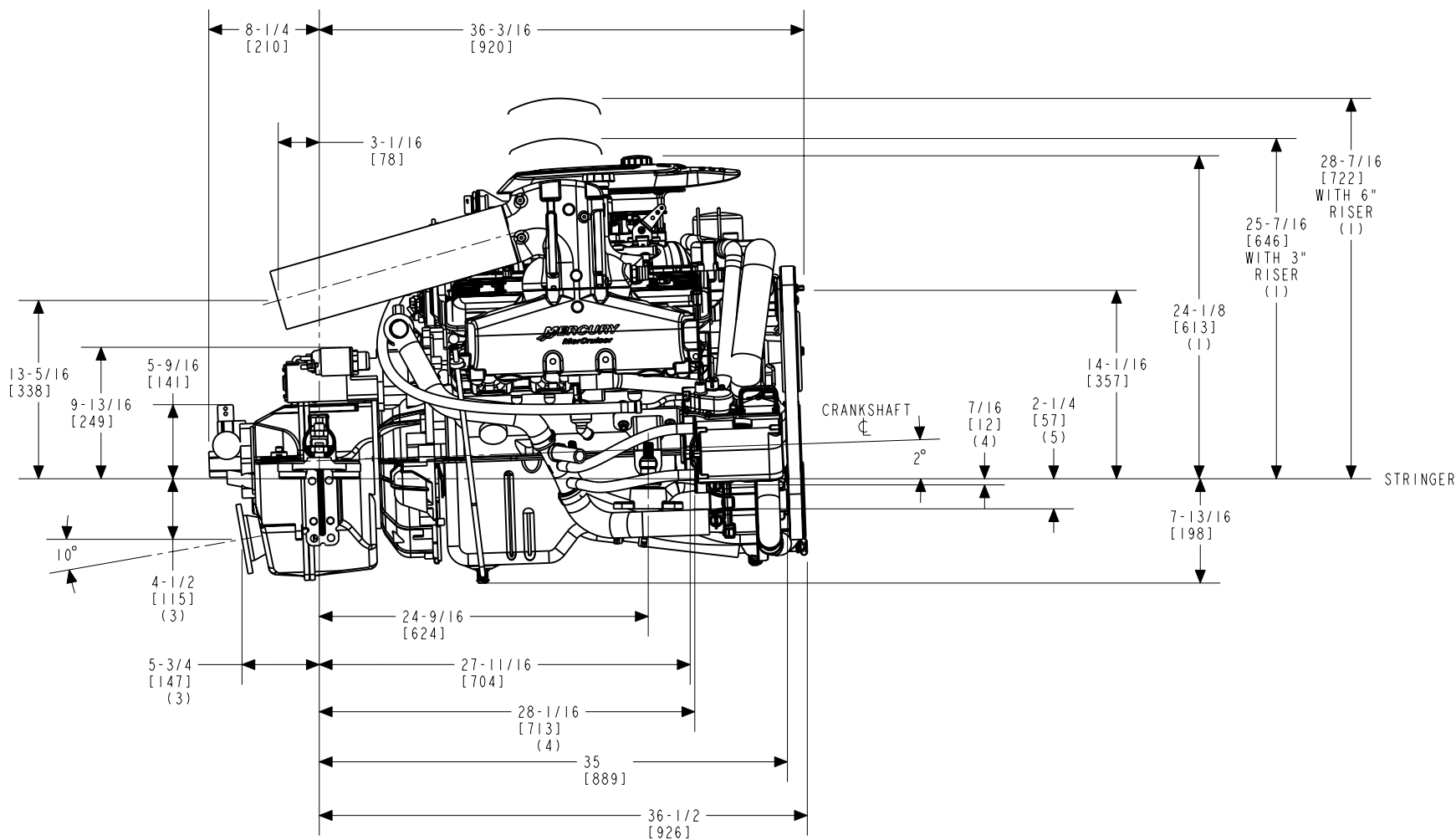
NOTES:

- (1) DIMENSIONS REQUIRE A MINIMUM OF 1/2 in. (13 mm) CLEARANCE FOR MOTOR MOUNT DEFLECTION.
- (2) SELECT THE APPROPRIATE EXHAUST RISE-HEIGHT TO MAINTAIN A MINIMUM OF 13 in. (330 mm) BETWEEN THE TOP OF THE EXHAUST ELBOW AND THE WATERLINE OF THE BOAT AT MAXIMUM RATED LOAD.
- (3) DIMENSIONS APPLY TO POINT OF INTERSECTION OF OUTPUT SHAFT CENTERLINE AND OUTPUT FLANGE FACE.
- (4) DIMENSIONS TO SEA WATER PUMP INLET.
- (5) BASE OF MOUNT TO BE PARALLEL TO STRINGER. MOUNTS SHOWN AT CENTER OF ADJUSTMENT.

NOTES:

- (1) DIMENSIONS REQUIRE A MINIMUM OF 1/2 in. (13 mm) CLEARANCE FOR MOTOR MOUNT DEFLECTION.
- (2) SELECT THE APPROPRIATE EXHAUST RISE-HEIGHT TO MAINTAIN A MINIMUM OF 13 in. (330 mm) BETWEEN THE TOP OF THE EXHAUST ELBOW AND THE WATERLINE OF THE BOAT AT MAXIMUM RATED LOAD.
- (3) DIMENSIONS APPLY TO POINT OF INTERSECTION OF OUTPUT SHAFT CENTERLINE AND OUTPUT FLANGE FACE.
- (4) DIMENSIONS TO SEA WATER PUMP INLET.
- (5) BASE OF MOUNT TO BE PARALLEL TO STRINGER. MOUNTS SHOWN AT CENTER OF ADJUSTMENT.





10° PROPSHAFT ANGLE SHOWN

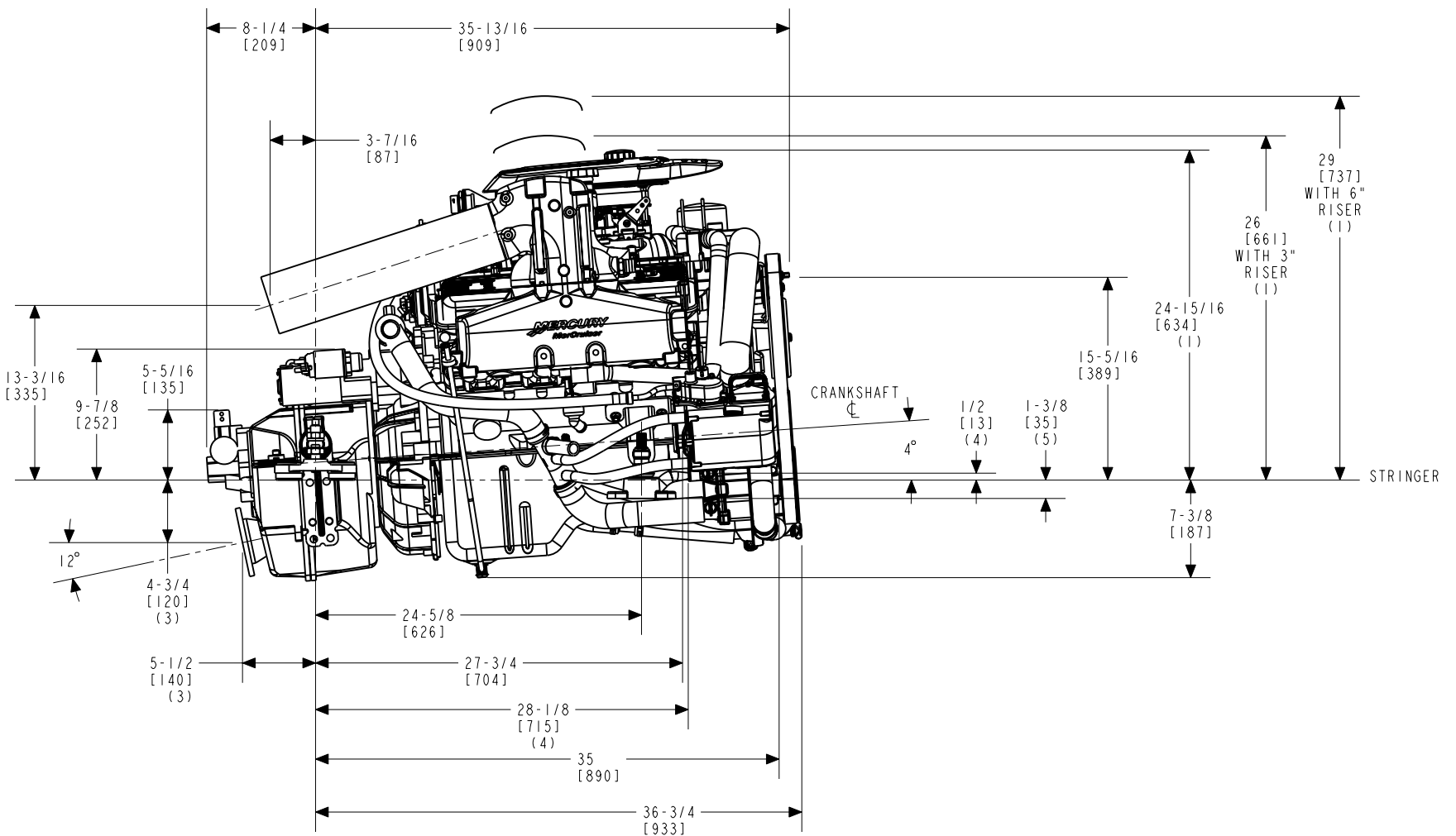
DRW57-014 SHEET 3 OF 5
350 MAG MPI / MX 6.2L MPI
WITH ZF 63A DOWN ANGLE TRANSMISSION

UNIT OF MEASURE
in. (mm)

SCALE
1" = 1'
25.4 mm = 305 mm

NOTES:

- (1) DIMENSIONS REQUIRE A MINIMUM OF 1/2 in. (13 mm) CLEARANCE FOR MOTOR MOUNT DEFLECTION.
- (2) SEE THE INSTALLATION MANUAL FOR EXHAUST SPECIFICATIONS.
- (3) DIMENSIONS APPLY TO POINT OF INTERSECTION OF OUTPUT SHAFT CENTERLINE AND OUTPUT FLANGE FACE.
- (4) DIMENSIONS TO SEA WATER PUMP INLET.
- (5) BASE OF MOUNT TO BE PARALLEL TO STRINGER. MOUNTS SHOWN AT CENTER OF ADJUSTMENT.



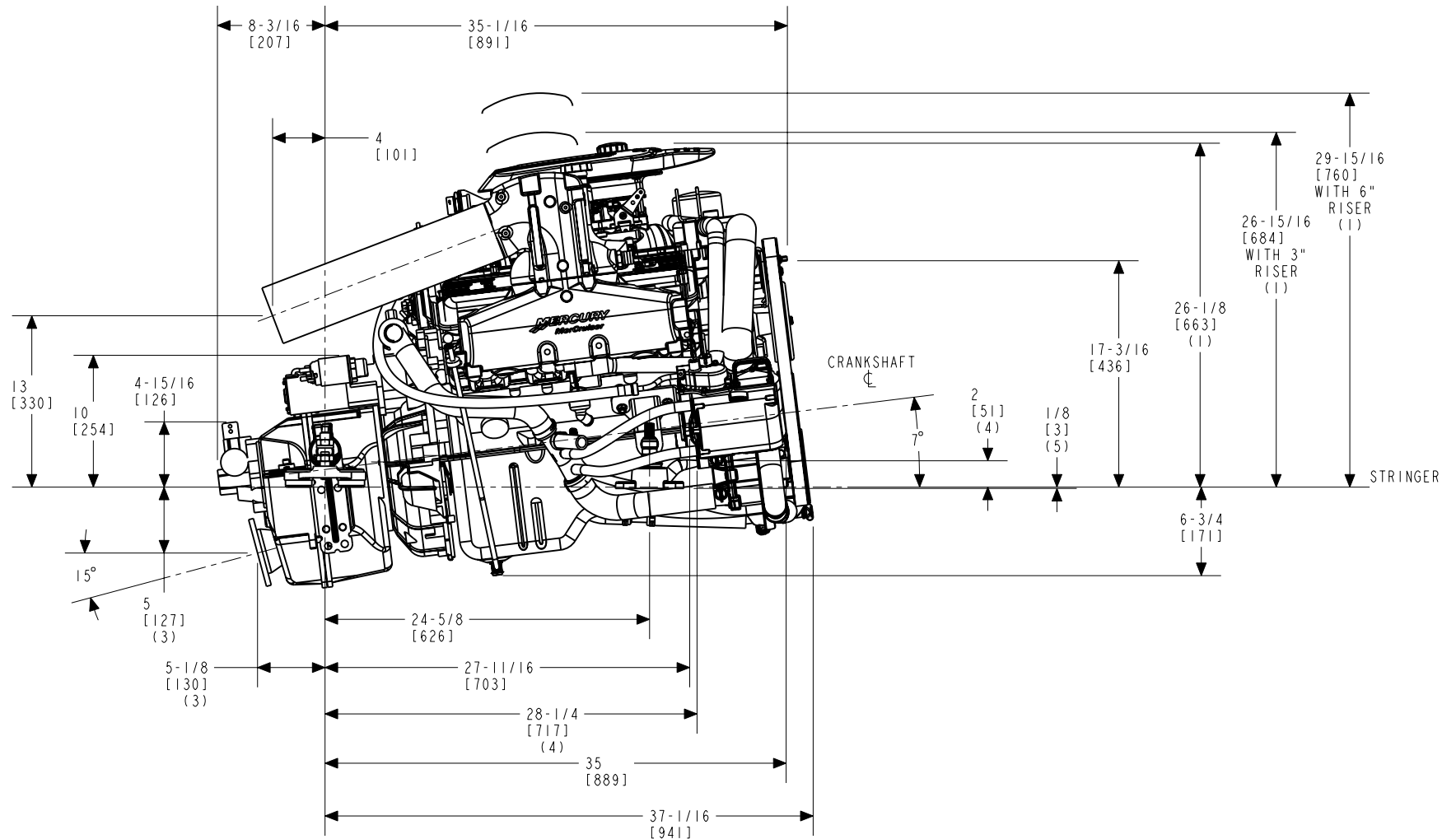
12° PROPSHAFT ANGLE SHOWN

DRW57-014 SHEET 4 OF 5
350 MAG MPI / MX 6.2L MPI
WITH ZF 63A DOWN ANGLE TRANSMISSION

UNIT OF MEASURE
in. (mm)

SCALE
1" = 1'
25.4 mm = 305 mm

- NOTES:
- (1) DIMENSIONS REQUIRE A MINIMUM OF 1/2 in. (13 mm) CLEARANCE FOR MOTOR MOUNT DEFLECTION.
 - (2) SEE THE INSTALLATION MANUAL FOR EXHAUST SPECIFICATIONS.
 - (3) DIMENSIONS APPLY TO POINT OF INTERSECTION OF OUTPUT SHAFT CENTERLINE AND OUTPUT FLANGE FACE.
 - (4) DIMENSIONS TO SEA WATER PUMP INLET.
 - (5) BASE OF MOUNT TO BE PARALLEL TO STRINGER. MOUNTS SHOWN AT CENTER OF ADJUSTMENT.



15° PROPSHAFT ANGLE SHOWN

DRW57-014 SHEET 5 OF 5
 350 MAG MPI / MX 6.2L MPI
 WITH ZF 63A DOWN ANGLE TRANSMISSION

UNIT OF MEASURE
 in. (mm)

SCALE
 1" = 1'
 25.4 mm = 305 mm

- NOTES:
- (1) DIMENSIONS REQUIRE A MINIMUM OF 1/2 in. (13 mm) CLEARANCE FOR MOTOR MOUNT DEFLECTION.
 - (2) SEE THE INSTALLATION MANUAL FOR EXHAUST SPECIFICATIONS.
 - (3) DIMENSIONS APPLY TO POINT OF INTERSECTION OF OUTPUT SHAFT CENTERLINE AND OUTPUT FLANGE FACE.
 - (4) DIMENSIONS TO SEA WATER PUMP INLET.
 - (5) BASE OF MOUNT TO BE PARALLEL TO STRINGER. MOUNTS SHOWN AT CENTER OF ADJUSTMENT.