

OUTPUT FLANGE (SAE NO. 510)

<p>DRW81-007 SHEET 1 OF 5 815 WITH VELVET DRIVE 5000A DOWN ANGLE TRANSMISSION</p>	<p>UNIT OF MEASURE in. (mm)</p>	<p>SCALE 1" = 1' 25.4 mm = 305 mm</p>
<p>NOTES: (1) DIMENSIONS REQUIRE A MINIMUM OF 1/2 in. (13 mm) CLEARANCE FOR MOTOR MOUNT DEFLECTION. (2) SELECT THE APPROPRIATE EXHAUST RISE-HEIGHT TO MAINTAIN A MINIMUM OF 15 in. (381 mm) BETWEEN THE TOP OF THE EXHAUST ELBOW AND THE WATERLINE OF THE BOAT AT MAXIMUM RATED LOAD. (3) DIMENSIONS APPLY TO POINT OF INTERSECTION OF OUTPUT SHAFT CENTERLINE AND OUTPUT FLANGE FACE. (4) DIMENSIONS TO SEA WATER PUMP INLET. (5) BASE OF MOUNT TO BE PARALLEL TO STRINGER. MOUNTS SHOWN AT CENTER OF ADJUSTMENT.</p>		

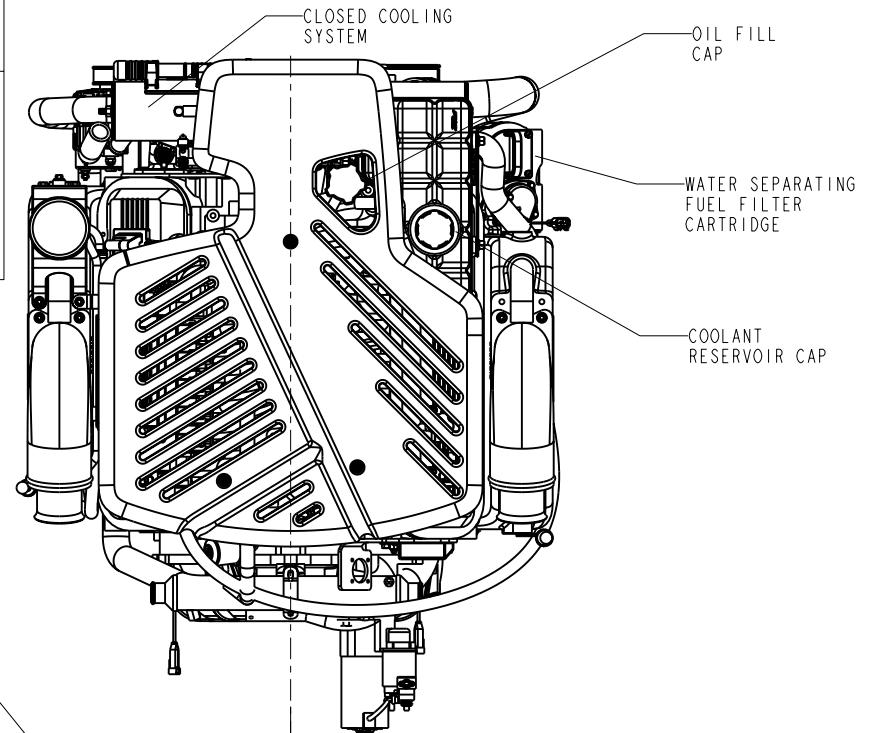
DRW81-007 SHEET 2 OF 5
8.1S WITH VELVET DRIVE 5000A
DOWN ANGLE TRANSMISSION

UNIT OF MEASURE
 in. (mm)

SCALE
 1" = 1'
 25.4 mm = 305 mm

NOTES:

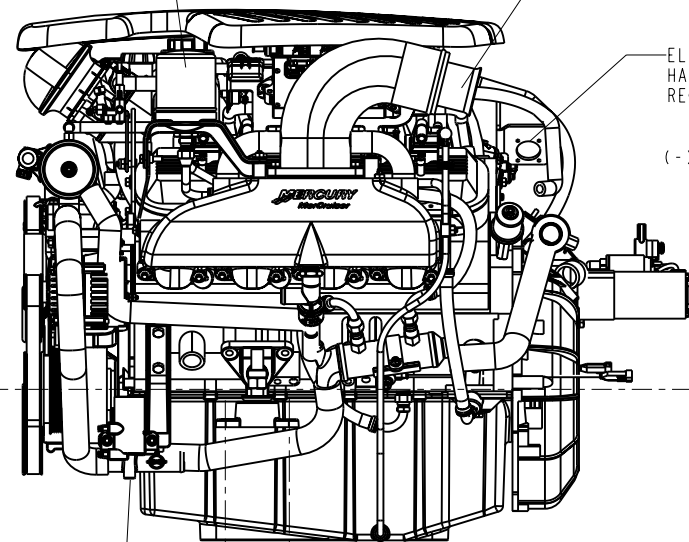
- (1) DIMENSIONS REQUIRE A MINIMUM OF 1/2 in. (13 mm) CLEARANCE FOR MOTOR MOUNT DEFLECTION.
- (2) SELECT THE APPROPRIATE EXHAUST RISE-HEIGHT TO MAINTAIN A MINIMUM OF 15 in. (381 mm) BETWEEN THE TOP OF THE EXHAUST ELBOW AND THE WATERLINE OF THE BOAT AT MAXIMUM RATED LOAD.
- (3) DIMENSIONS APPLY TO POINT OF INTERSECTION OF OUTPUT SHAFT CENTERLINE AND OUTPUT FLANGE FACE.
- (4) DIMENSIONS TO SEA WATER PUMP INLET.
- (5) BASE OF MOUNT TO BE PARALLEL TO STRINGER. MOUNTS SHOWN AT CENTER OF ADJUSTMENT.



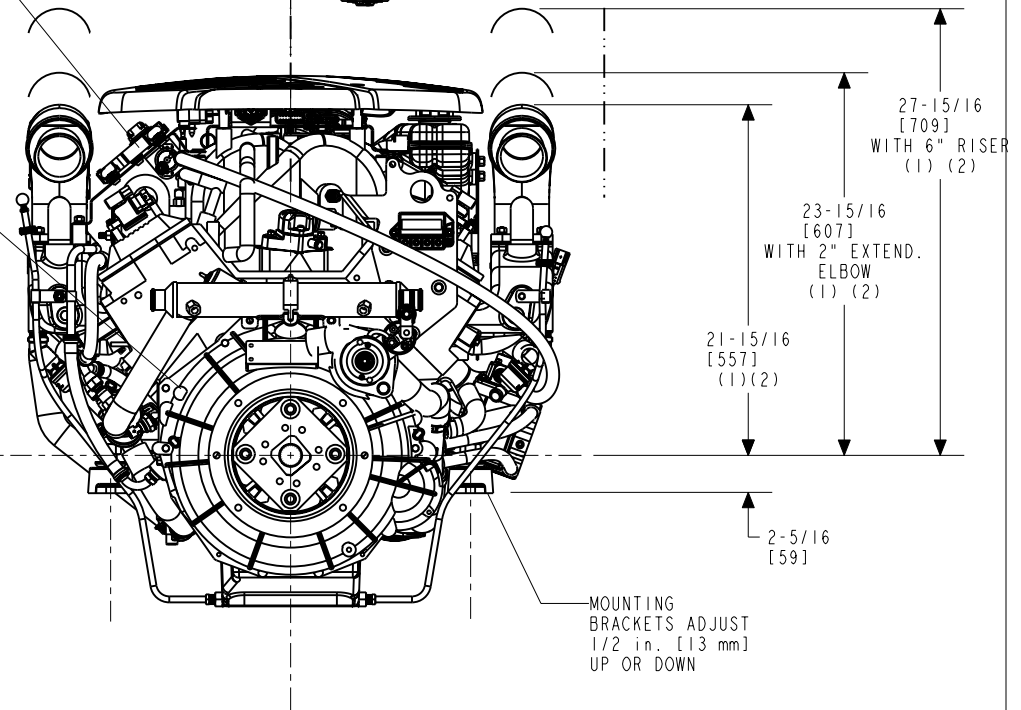
REMOTE OIL FILTER

EXHAUST OUTLET
 $\varnothing 4$ [102] x 2-1/2 [64] LONG
 (2)(3)

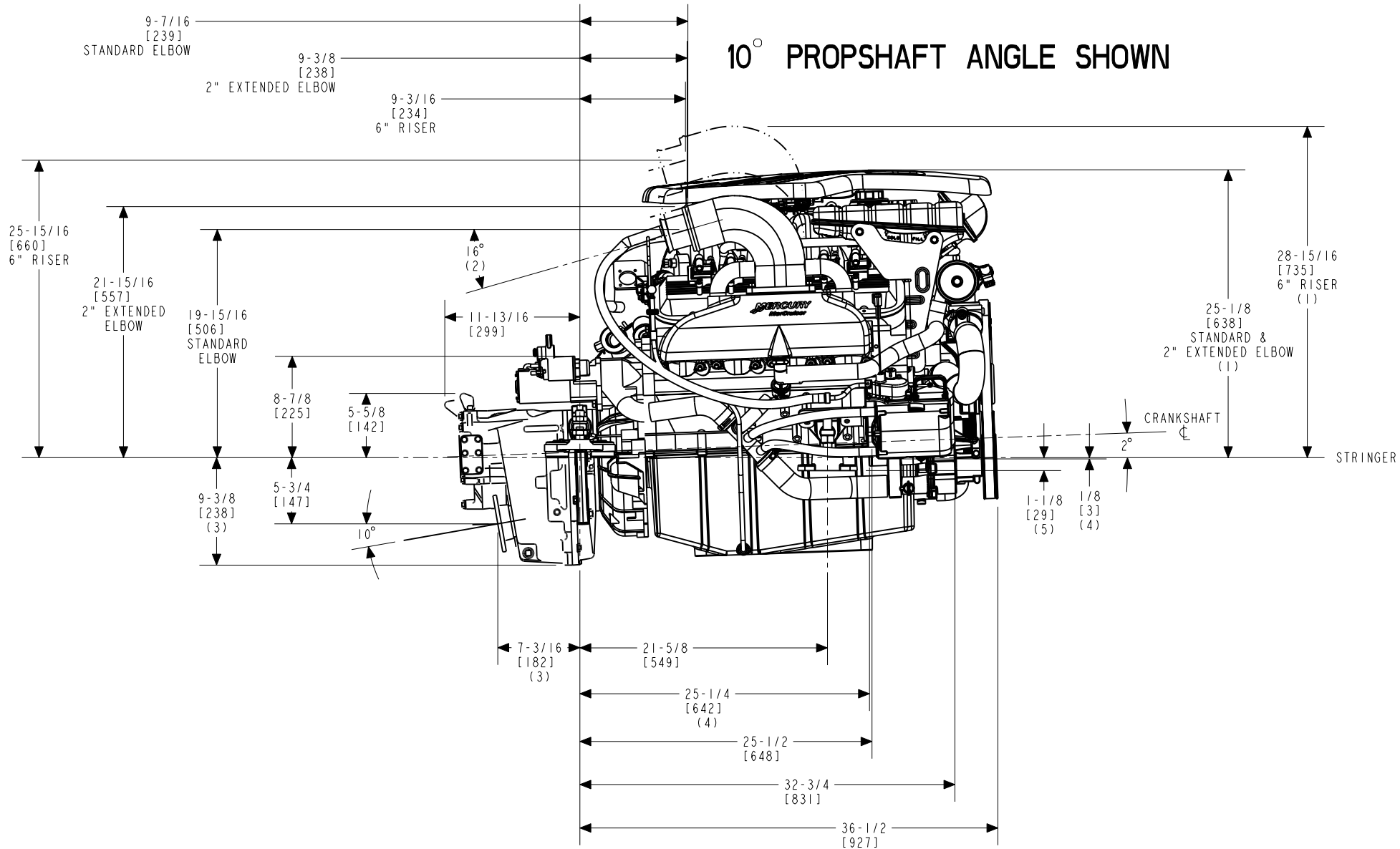
ELECTRICAL BRACKET & CIRCUIT BREAKER



CRANKSHAFT



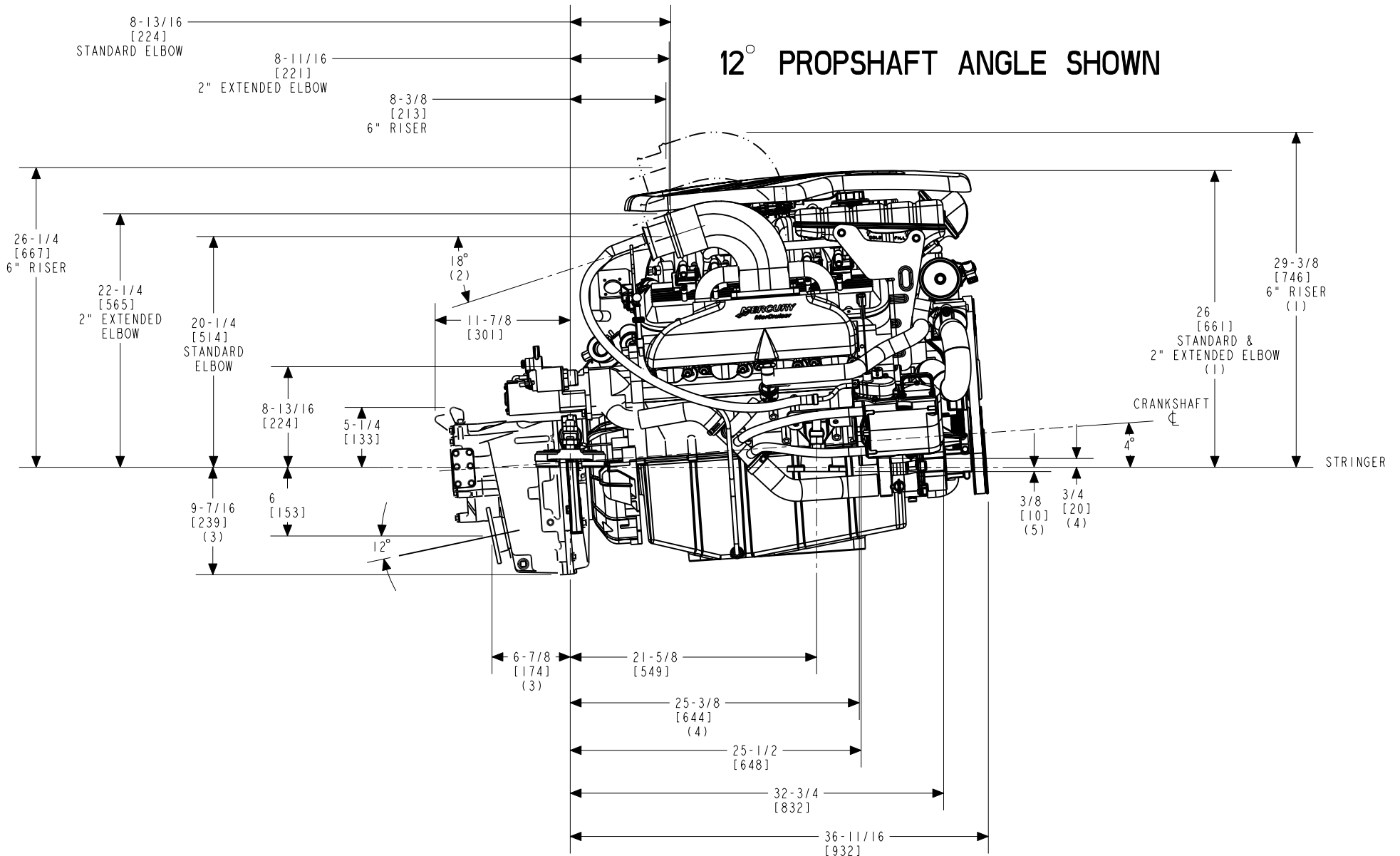
4 [102] (1/2 in [13] NOM DIA BOLT HOLES)



DRW81-007 SHEET 3 OF 5 815 WITH VELVET DRIVE 5000A DOWN ANGLE TRANSMISSION	UNIT OF MEASURE in. (mm)	SCALE 1" = 1' 25.4 mm = 305 mm
---	-----------------------------	--------------------------------------

NOTES:
 (1) DIMENSIONS REQUIRE A MINIMUM OF 1/2 in. (13 mm) CLEARANCE FOR MOTOR MOUNT DEFLECTION.
 (2) SEE THE INSTALLATION MANUAL FOR EXHAUST SPECIFICATIONS.
 (3) DIMENSIONS APPLY TO POINT OF INTERSECTION OF OUTPUT SHAFT CENTERLINE AND OUTPUT FLANGE FACE.
 (4) DIMENSIONS TO SEA WATER PUMP INLET.
 (5) BASE OF MOUNT TO BE PARALLEL TO STRINGER. MOUNTS SHOWN AT CENTER OF ADJUSTMENT.

12° PROPSHAFT ANGLE SHOWN



DRW81-007 SHEET 4 OF 5
8.1S WITH VELVET DRIVE 5000A
DOWN ANGLE TRANSMISSION

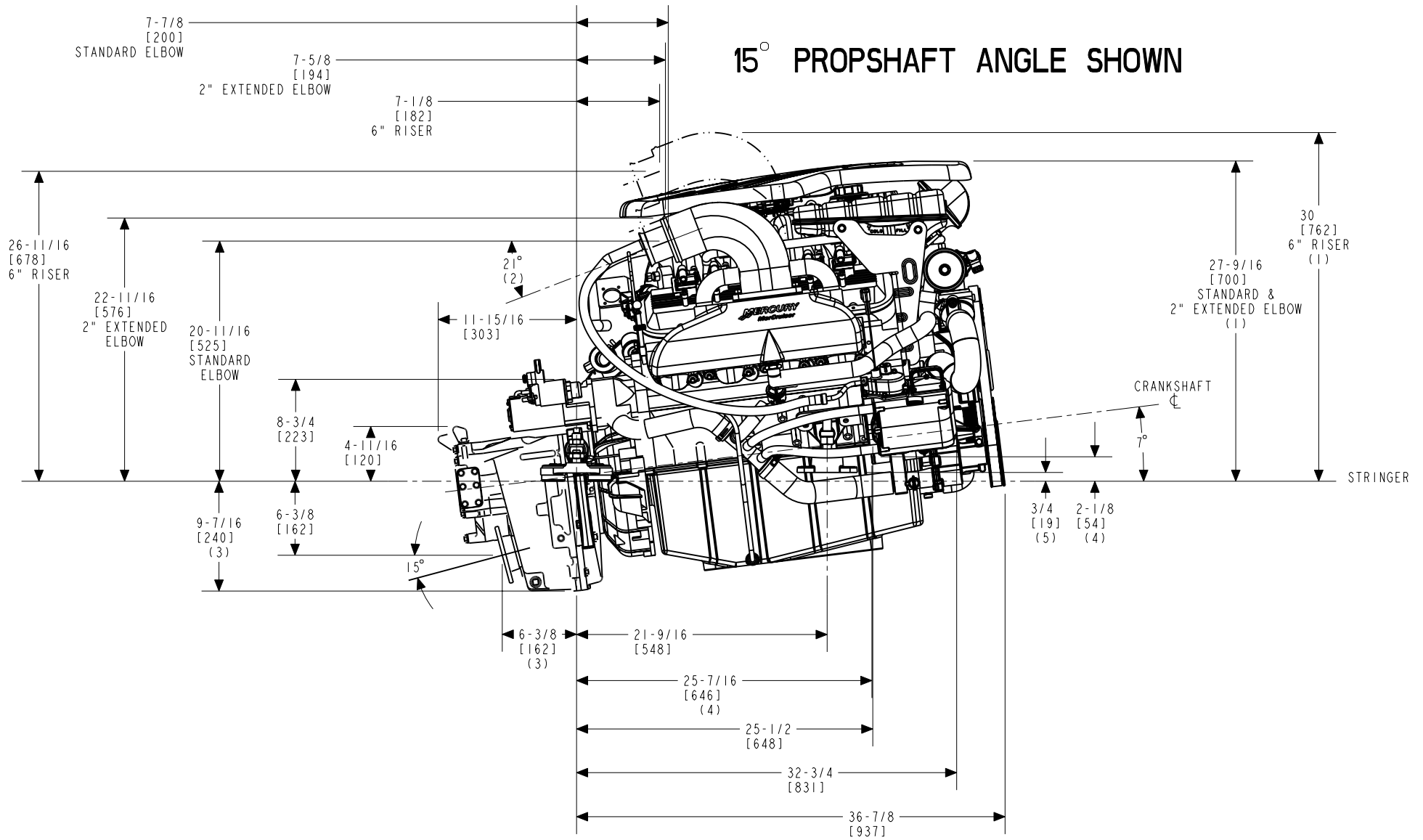
UNIT OF MEASURE
in. (mm)

SCALE
1" = 1'
25.4 mm = 305 mm

NOTES:

- (1) DIMENSIONS REQUIRE A MINIMUM OF 1/2 in. (13 mm) CLEARANCE FOR MOTOR MOUNT DEFLECTION.
- (2) SEE THE INSTALLATION MANUAL FOR EXHAUST SPECIFICATIONS.
- (3) DIMENSIONS APPLY TO POINT OF INTERSECTION OF OUTPUT SHAFT CENTERLINE AND OUTPUT FLANGE FACE.
- (4) DIMENSIONS TO SEA WATER PUMP INLET.
- (5) BASE OF MOUNT TO BE PARALLEL TO STRINGER. MOUNTS SHOWN AT CENTER OF ADJUSTMENT.

15° PROPSHAFT ANGLE SHOWN



DRW81-007 SHEET 5 OF 5
81S WITH VELVET DRIVE 5000A
DOWN ANGLE TRANSMISSION

UNIT OF MEASURE
in. (mm)

SCALE
1" = 1'
25.4 mm = 305 mm

NOTES:

- (1) DIMENSIONS REQUIRE A MINIMUM OF 1/2 in. (13 mm) CLEARANCE FOR MOTOR MOUNT DEFLECTION.
- (2) SEE THE INSTALLATION MANUAL FOR EXHAUST SPECIFICATIONS.
- (3) DIMENSIONS APPLY TO POINT OF INTERSECTION OF OUTPUT SHAFT CENTERLINE AND OUTPUT FLANGE FACE.
- (4) DIMENSIONS TO SEA WATER PUMP INLET.
- (5) BASE OF MOUNT TO BE PARALLEL TO STRINGER. MOUNTS SHOWN AT CENTER OF ADJUSTMENT.