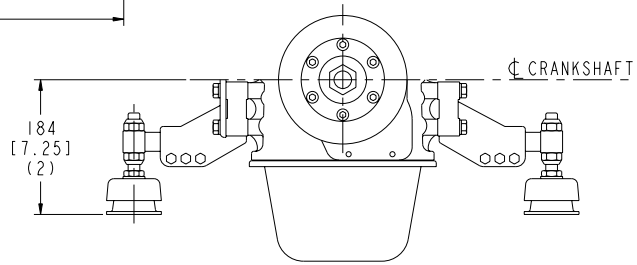
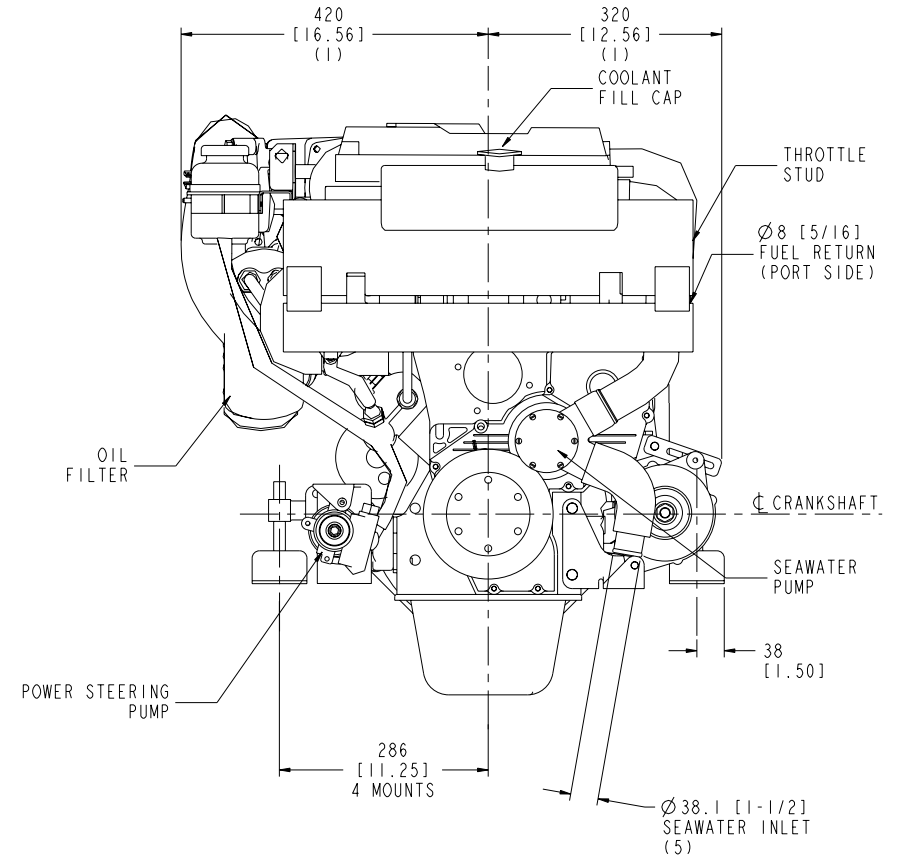
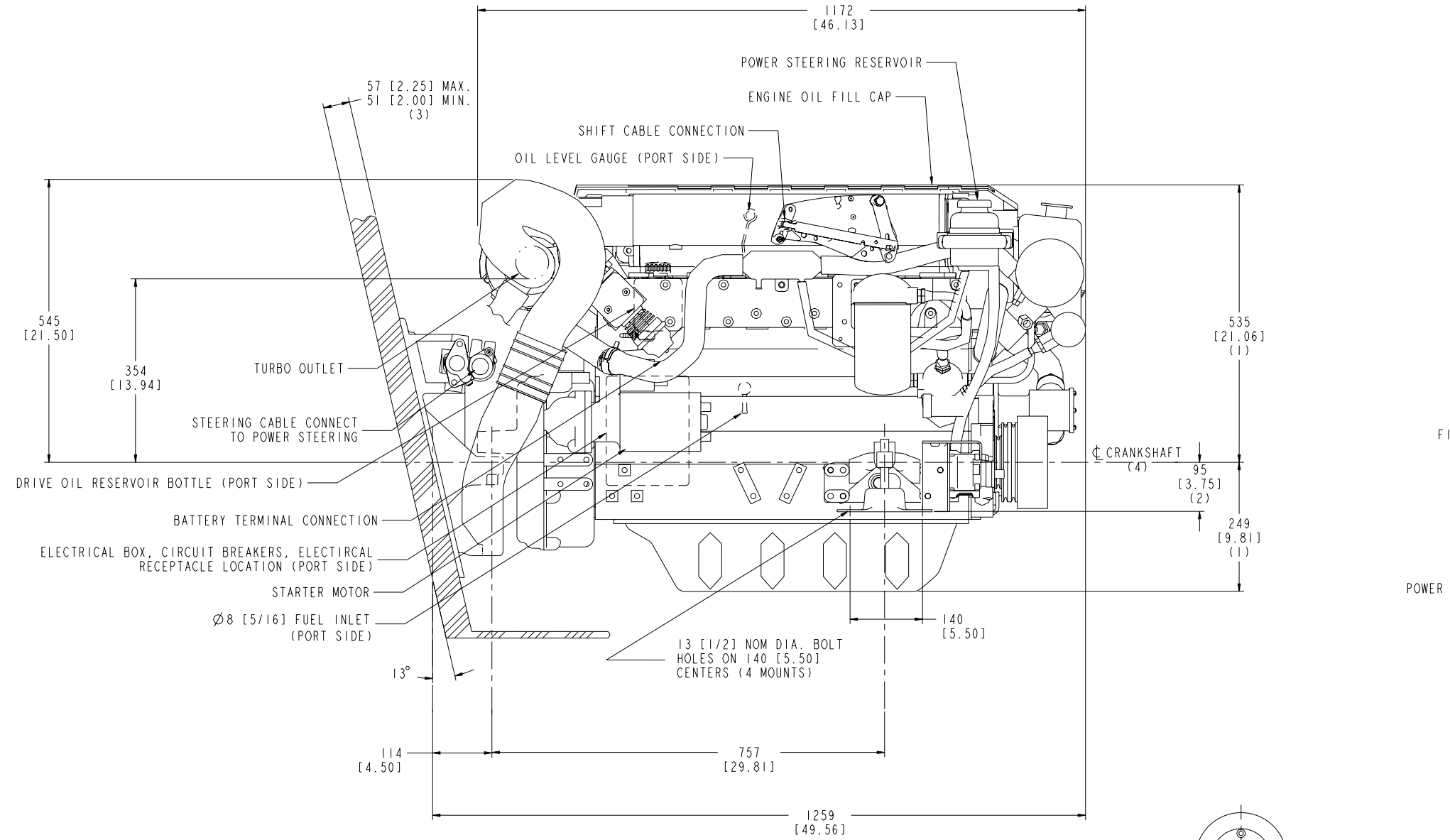


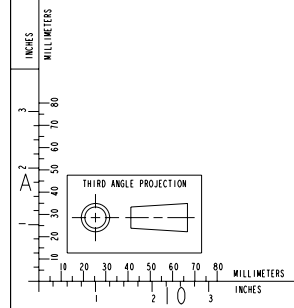
ITEM NUMBER  
90-864853

REVISIONS			
ZONE	REV	DESCRIPTION	APP'D
01	REVISED		

- NOTES:
1. DIMENSIONS REQUIRE A MINIMUM 13mm [1/2] CLEARANCE FOR MOTOR MOUNT DEFLECTION.
  2. ENGINE MOUNTS ADJUST 8mm [5/16] UP OR DOWN.
  3. INNER AND OUTER SURFACES OF TRANSM MUST BE PARALLEL WITHIN 3mm [1/8] IN AREA COVERED BY TRANSM PLATES AND REMAIN WITHIN TRANSM THICKNESS LIMITS.
  4. REFER TO "TRANSM CUTOUT" IN INSTALLATION MANUAL TO FIND CRANKSHAFT CENTERLINE VS. BOAT BOTTOM.
  5. FOR CORRECT CABIN/WATER HEATER CONNECTION, REFER TO INSTALLATION MANUAL.
  6. NUMBERS INSIDE BRACKETS ARE IN INCHES.



ALTERNATE FRONT MOUNT POSITION



PRODUCT GRAPHICS FILE  
NO ORIGINAL DRAWING EXISTS FOR THIS ITEM. THE ENGINEERING GRAPHICS DATA FOR THIS ITEM RESIDES IN THE PRODUCT GRAPHICS FILE AND IS CONTROLLED BY THE AGENCY DESIGNATED AS HAVING ITEM CONTROL.

DO NOT SCALE THIS DRAWING  
THIS DRAWING/DATA FILE (AND THE INFORMATION SHOWN THEREON) IS CONFIDENTIAL AND PROPRIETARY AND SHALL NOT BE USED, DISCLOSED TO OTHERS, OR REPRODUCED BY ANY MEANS FOR ANY PURPOSE IN HARD COPY FORM OR IN MACHINE READABLE FILES, WITHOUT WRITTEN CONSENT OF CUMMINS INC., MARKETING CAD SERVICES DEPARTMENT.

LAST SECTION LETTER USED: --	REF. DRAWING STANDARDS: ANSI Y14.5M ISO 81101	<b>CUMMINS INC.</b>	
UNLESS OTHERWISE SPECIFIED DIMENSIONS ARE IN: MM 1 1/2 ARE IN: IN	ITEM NAME 4.2ES (250,270,320)	IDENTIFIER	
DWN: CHD APPD: --	DRAWN BY: -- UNCHECKED: --	SIZE CODE (IDENT. NO.): <b>J</b>	ITEM NUMBER 90-864853
SCALE: N/A		ITEM CONTROL: MCS	SHEET 1 OF 1