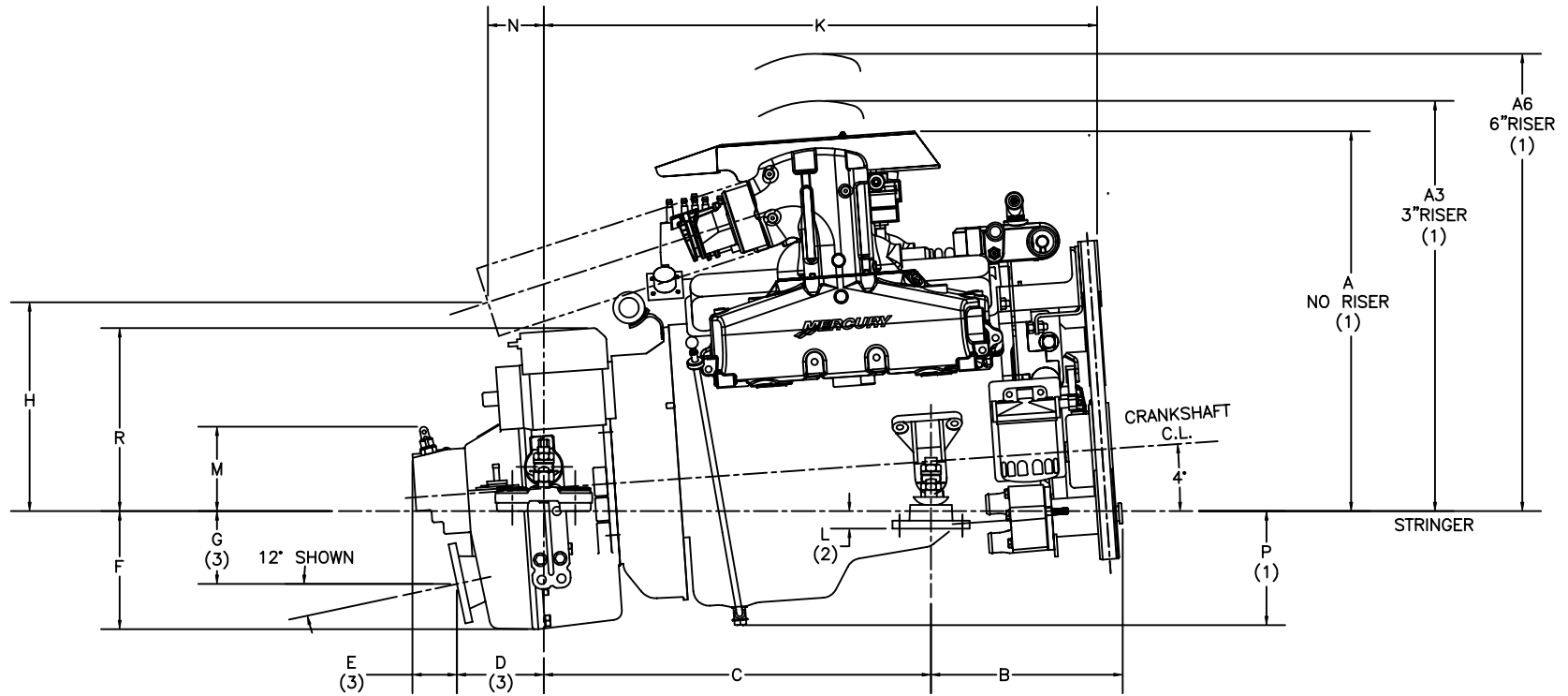


OUTPUT FLANGE (SAE NO. 510)

UNIT OF MEASURE in. (mm)	SCALE APROX. 1" = 1' 25.4mm = 304mm
-----------------------------	---

NOTES:

- (1) DIMENSIONS REQUIRE A MINIMUM 1/2 in. (13mm) CLEARANCE FOR MOTOR MOUNT DEFLECTION
- (2) DIMENSIONS APPLY TO POINT OF INTERSECTION OF OUTPUT SHAFT CENTERLINE AND OUTPUT FLANGE FACE



DIMENSIONS	PROPSHAFT ANGLE		
	10°	12°	15°
A STANDARD	591	613	640
A3 (3" RISER)	646	661	684
A6 (6" RISER)	722	737	760
B	307	309	313
C	624	625	625
D	147	140	130
E	64	72	83
F	190	190	193
G	112	117	124
H	340	337	332
K	905	893	872
L	50	28	(-)5
M	143	136	126
N	81	90	104
P	195	184	167
R	292	295	299

METRIC  
MM.

DIMENSIONS	PROPSHAFT ANGLE		
	10°	12°	15°
A STANDARD	23-1/4	24-1/8	25-3/16
A3 (3" RISER)	25-7/16	26-1/16	26-15/16
A6 (6" RISER)	28-7/16	26-15/16	29-15/16
B	12-1/16	12-3/16	12-5/16
C	24-9/16	24-5/8	24-5/8
D	5-3/4	5-1/2	5-1/8
E	2-9/16	2-13/16	3-1/4
F	7-1/2	7-1/2	7-9/16
G	4-7/16	4-5/8	4-7/8
H	13-3/8	13-1/4	13-1/16
K	35-5/8	35-1/8	34-5/16
L	1-5/16	1-1/8	(-)3/16
M	5-5/8	5-3/8	4-15/16
N	3-3/16	3-9/16	4-1/16
P	7-11/16	7-1/4	6-9/16
R	11-1/2	11-5/8	11-3/4

ENGLISH  
IN.

864762 SHEET 2 OF 2  
MIE 5.7L WITH ZF/HURTH 630A DOWN ANGLE TRANSMISSION.

NOTES:

- (1) DIMENSIONS REQUIRE A MINIMUM 1/2 in. (13mm) CLEARANCE FOR MOTOR MOUNT DEFLECTION.
- (2) BASE OF MOUNT TO BE PARALLEL TO STRINGER. MOUNTS SHOWN AT CENTER OF ADJUSTMENT.
- (3) DIMENSIONS APPLY TO POINT OF INTERSECTION OF OUTPUT SHAFT CENTERLINE AND OUTPUT FLANGE FACE.