

OUTPUT FLANGE
(SAE NO. 510)

| UNIT OF MEASURE | SCALE |
|-----------------|---------------------------|
| in. [mm] | 1" = 1' 25.4mm = 304mm |

864774 SHEET 1 OF 4
350 MAG MPI/MX 6.2L MPI WITH ZF/HURTH 630A DOWN ANGLE TRANSMISSION

NOTES:

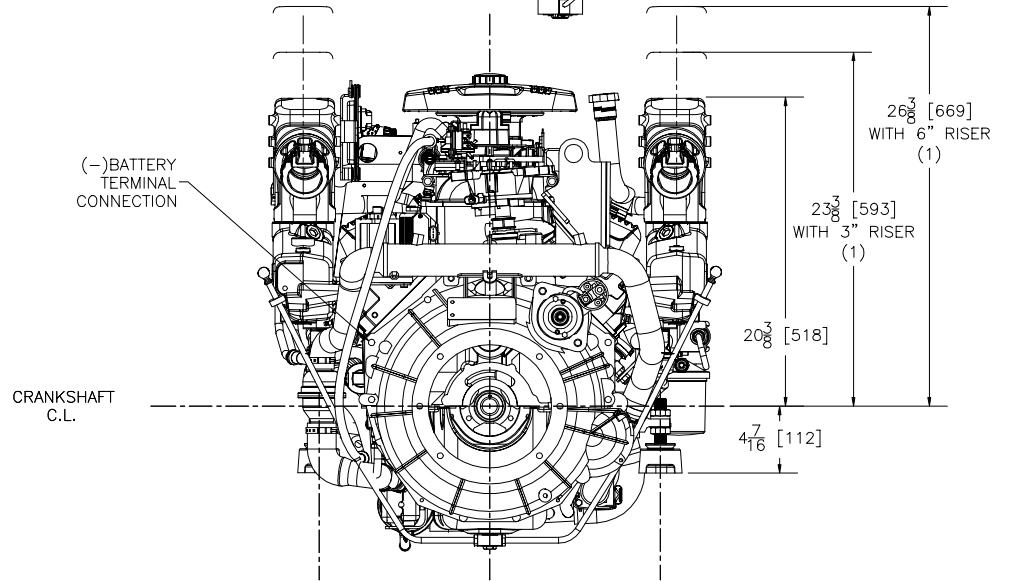
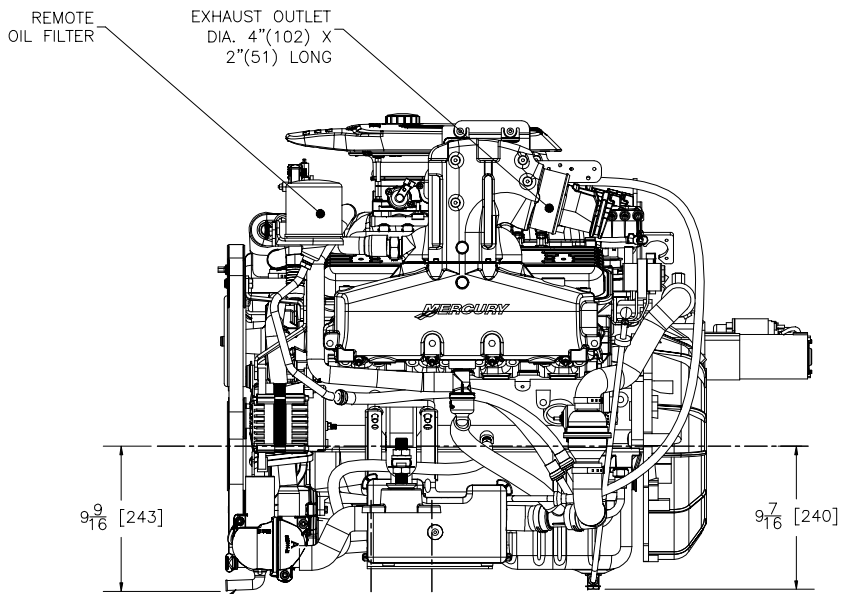
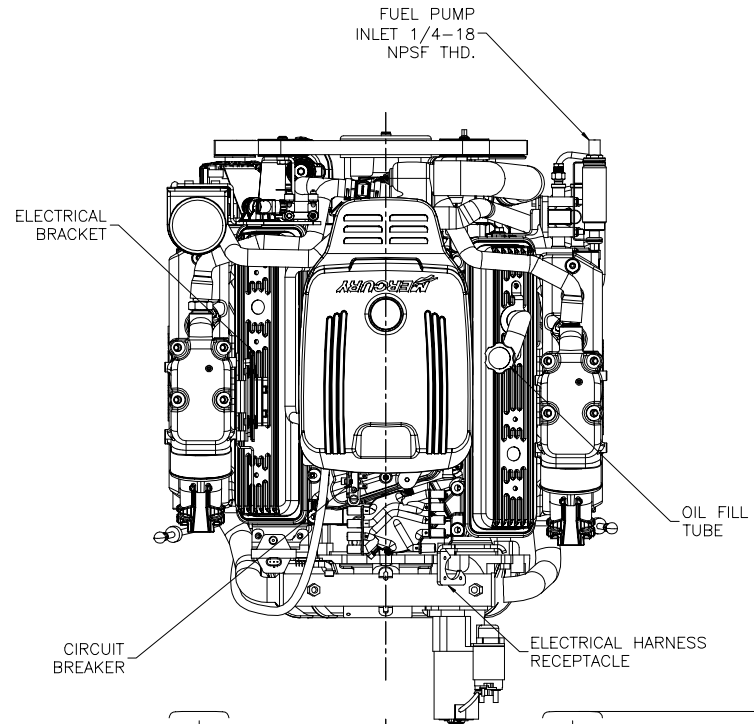
- (1) DIMENSIONS REQUIRE A MINIMUM 1/2 in. (13mm) CLEARANCE FOR MOTOR MOUNT DEFLECTION.
- (2) DIMENSIONS APPLY TO POINT OF INTERSECTION OF OUTPUT SHAFT CENTERLINE AND OUTPUT FLANGE FACE.
- (3) DIMENSIONS TO SEA WATER PUMP INLET.

350 MAG MPI/MX 6.2L MPI WITH ZF/HURTH 630A DOWN ANGLE TRANSMISSION

NOTES:

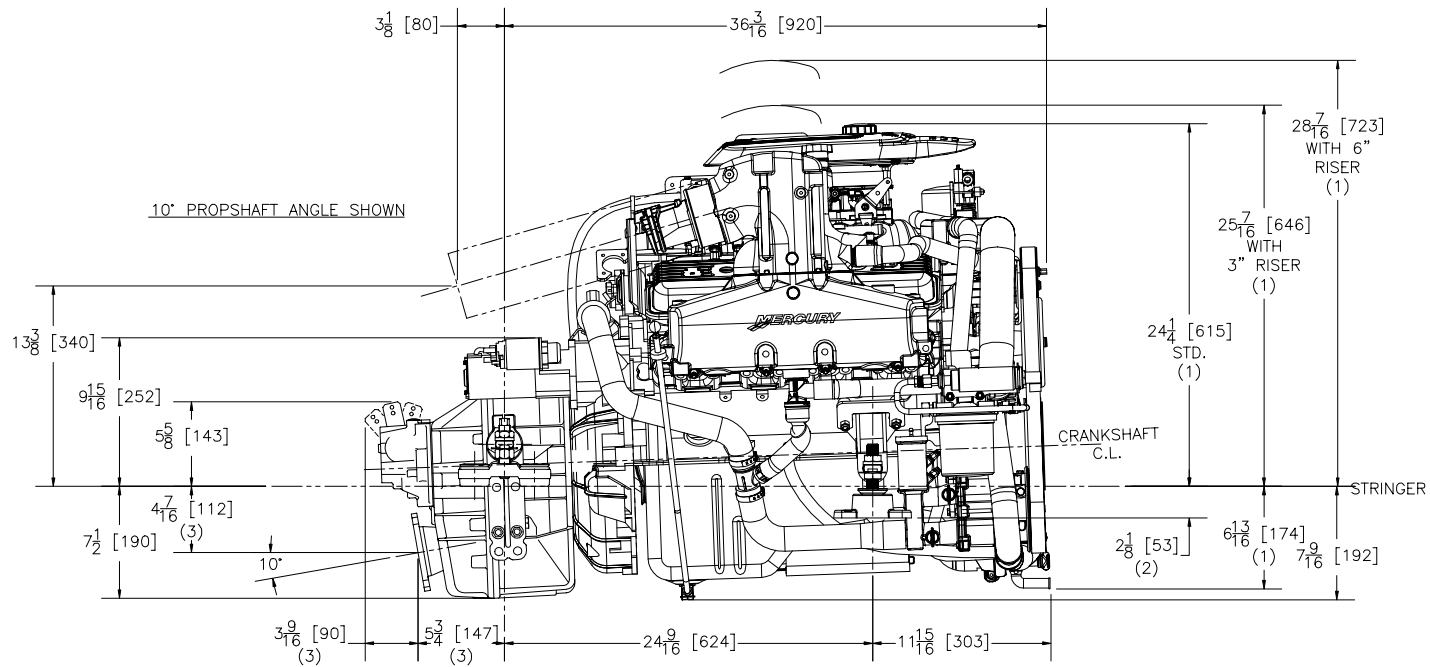
(1) DIMENSIONS REQUIRE A MINIMUM 1/2 in. (13mm) CLEARANCE FOR MOTOR MOUNT DEFLECTION.

| | |
|-----------------------------|------------------------------------|
| UNIT OF MEASURE in. [mm] | SCALE 1" = 1' 25.4mm = 304mm |
|-----------------------------|------------------------------------|



PORT SIDE WATER DRAIN (AIR ACTUATED SYSTEM)

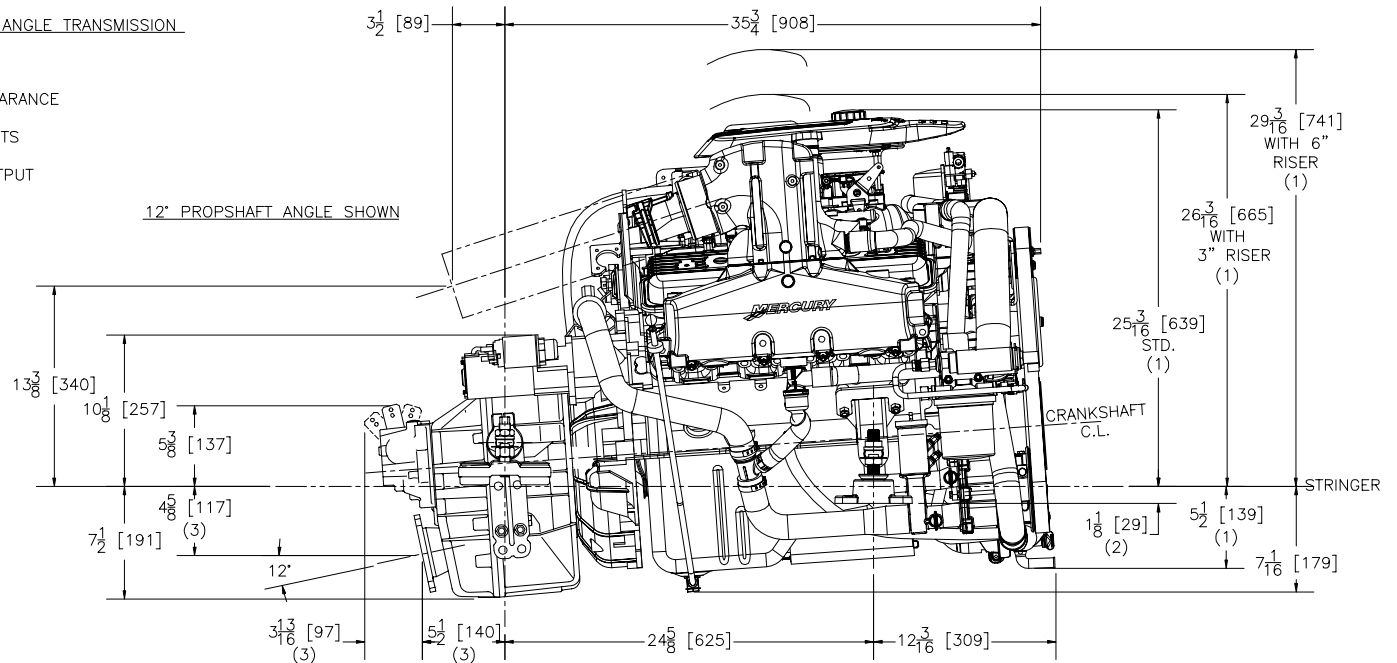
4 [102] BETWEEN 1/2 [13] NOM. DIA. BOLT HOLES

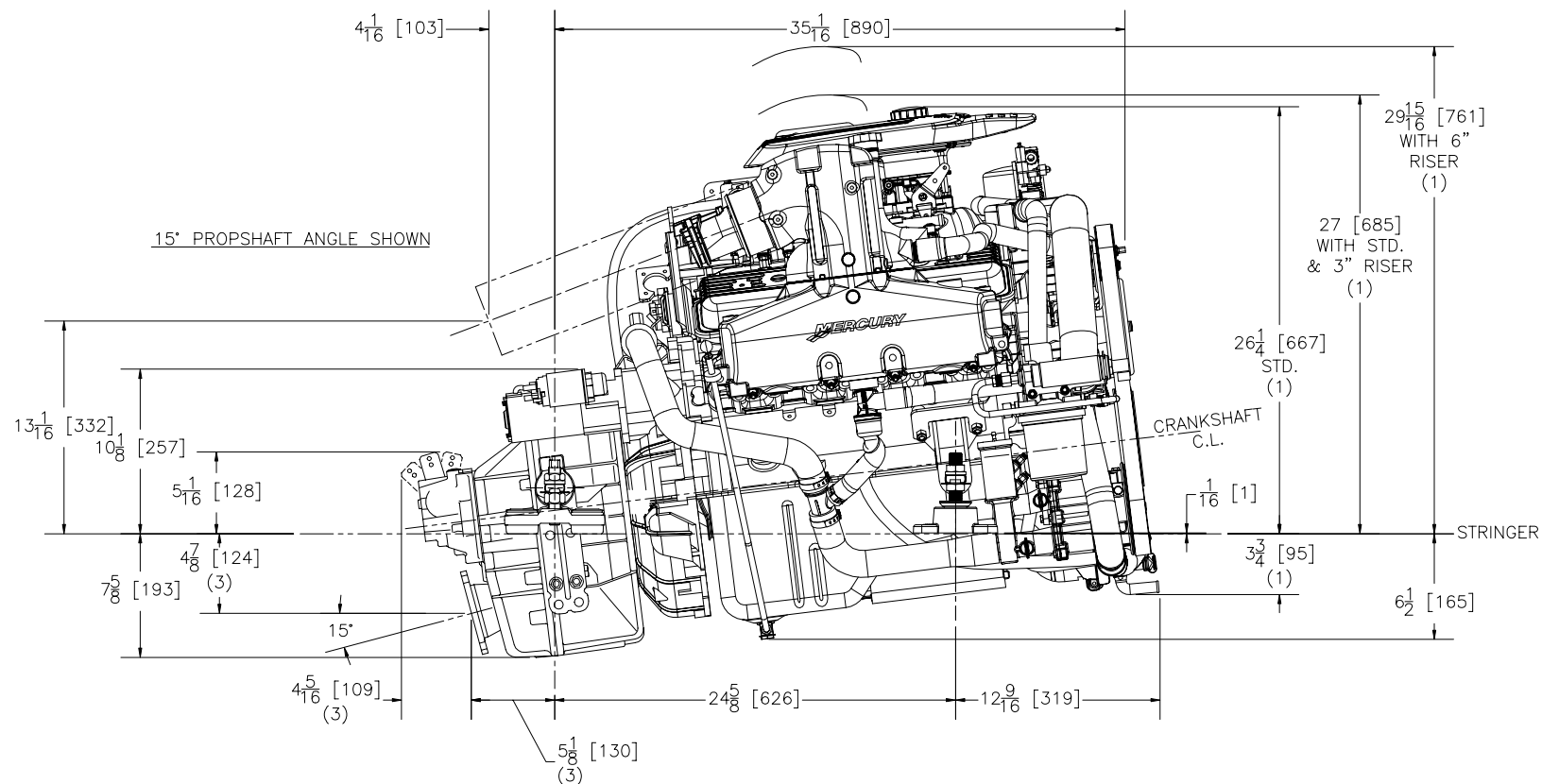


864774 SHEET 3 OF 4
 350 MAG MPI/MX 6.2L MPI WITH ZF/HURTH 630A DOWN ANGLE TRANSMISSION

NOTES:

- (1) DIMENSIONS REQUIRE A MINIMUM 1/2 in. (13mm) CLEARANCE FOR MOTOR MOUNT DEFLECTION.
- (2) BASE OF MOUNT TO BE PARALLEL TO STRINGER. MOUNTS SHOWN AT CENTER OF ADJUSTMENT.
- (3) DIMENSIONS APPLY TO POINT OF INTERSECTION OF OUTPUT SHAFT CENTERLINE AND OUTPUT FLANGE FACE.





864774 SHEET 4 OF 4
 350 MAG MPI/MX 6.2L MPI WITH ZF/HURTH 630A DOWN ANGLE TRANSMISSION

NOTES:

- (1) DIMENSIONS REQUIRE A MINIMUM 1/2 in. (13mm) CLEARANCE FOR MOTOR MOUNT DEFLECTION.
- (2) BASE OF MOUNT TO BE PARALLEL TO STRINGER. MOUNTS SHOWN AT CENTER OF ADJUSTMENT.
- (3) DIMENSIONS APPLY TO POINT OF INTERSECTION OF OUTPUT SHAFT CENTERLINE AND OUTPUT FLANGE FACE.