

UNIT OF MEASURE in. [mm]	SCALE 1" = 1' 25.4mm = 304mm
-----------------------------	------------------------------------

864753 SHEET 1 OF 2
MIE 350 MAG MPL TOW SPORTS WITH VELVET DRIVE
72C & WALTER V-DRIVE

NOTES:
(1) DIMENSIONS REQUIRE A MINIMUM 1/2 in. (13mm) CLEARANCE FOR MOTOR MOUNT DEFLECTION.
(2) DIMENSIONS TO SEA WATER PUMP INLET.

864753 SHEET 2 OF 2
 MIE 350 MAG MPL TOW SPORTS WITH VELVET DRIVE
 72C & WALTER V-DRIVE

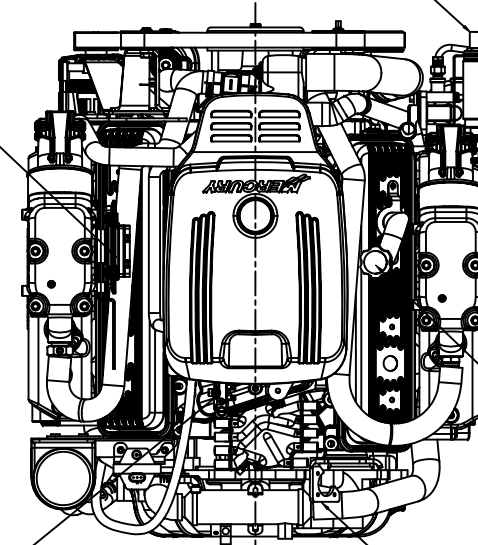
NOTES:

- (1) DIMENSIONS REQUIRE A MINIMUM 1/2 in. (13mm) CLEARANCE FOR MOTOR MOUNT DEFLECTION.
- (2) SELECT THE APPROPRIATE EXHAUST RISE-HEIGHT TO MAINTAIN A MINIMUM OF 13 in. (330mm) BETWEEN THE TOP OF THE EXHAUST ELBOW AND THE WATERLINE OF THE BOAT AT MAXIMUM RATED LOAD.
- (3) EXHAUST OUTLETS MUST BE ABOVE WATERLINE OF BOAT AT MAXIMUM RATED LOAD.

UNIT OF MEASURE	SCALE
in. [mm]	1" = 1', 25.4mm = 304mm

FUEL FILTER
 INLET 1/4-18
 NPSF THD.

ELECTRICAL
 BRACKET

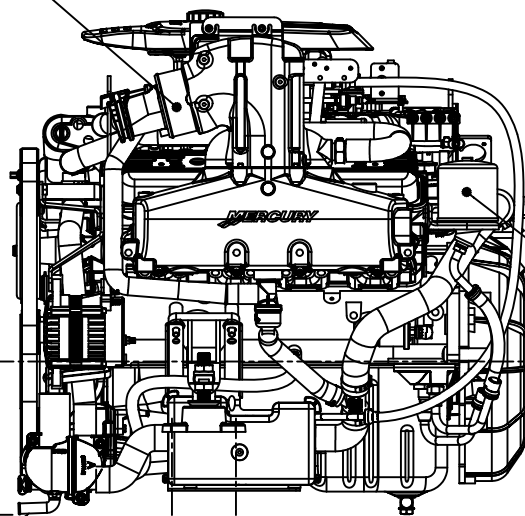


OIL FILL
 TUBE

CIRCUIT
 BREAKER

ELECTRICAL HARNESS
 RECEPTACLE

EXHAUST OUTLET
 DIA. 4"(102) X
 2"(51) LONG
 (2)(3)



REMOTE
 OIL FILTER

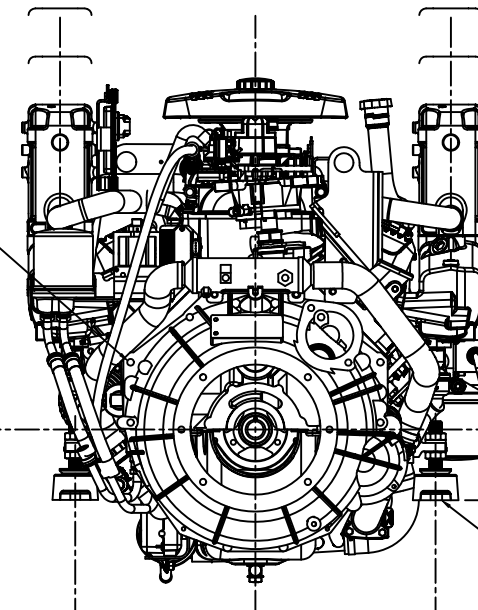
9 9/16 [243]

SINGLE POINT
 WATER DRAIN

CRANKSHAFT
 C.L.

4 [102] BETWEEN 1/2 [13] NOM. DIA. BOLT HOLES

(-)BATTERY
 TERMINAL
 CONNECTION



26 5/16 [668]
 WITH 6" RISER
 (1)(2)

23 5/16 [592]
 WITH 3" RISER
 (1)(2)

20 5/16 [515]

4 7/16 [112]

FRONT MOUNTING
 BRACKETS ADJUST
 1/2 IN.[13]
 UP OR DOWN