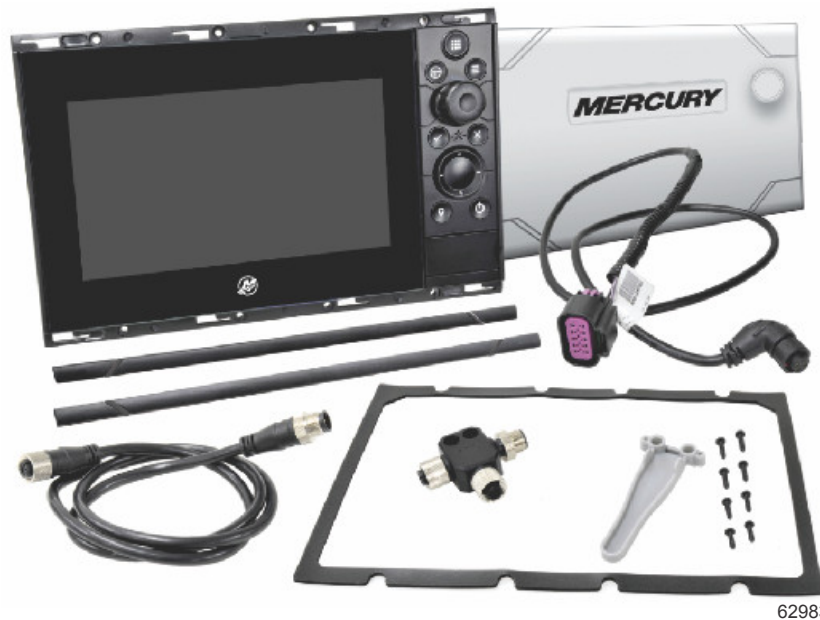


# VESSELVIEW 703

**IMPORTANT:** This document guides our dealers, boatbuilders, and company service personnel in the proper installation or service of our products. If you have not been trained in the recommended servicing or installation procedures for these or similar Mercury Marine products, have the work performed by an authorized Mercury Marine dealer technician. Improper installation or servicing of the Mercury product could result in damage to the product or personal injury to those installing or operating the product. Always refer to the appropriate Mercury Marine manual for component removal and installation instructions.

**NOTE:** After completing installation, place these instructions with the product for the owner's future use.

## Components Contained in Kit



| Qty. | Description                          |
|------|--------------------------------------|
| 1    | VesselView 703 multifunction display |
| 1    | Sealing gasket                       |
| 8    | Mounting screws                      |
| 1    | Mounting screw alignment tool        |
| 1    | NMEA® 2000 T-connector               |
| 1    | VesselView Link harness              |
| 1    | NMEA® 2000 extension harness         |
| 2    | Bezel trim                           |
| 1    | Sun cover                            |

## Cutting the Instrument Panel

### Preparing the Mounting Location

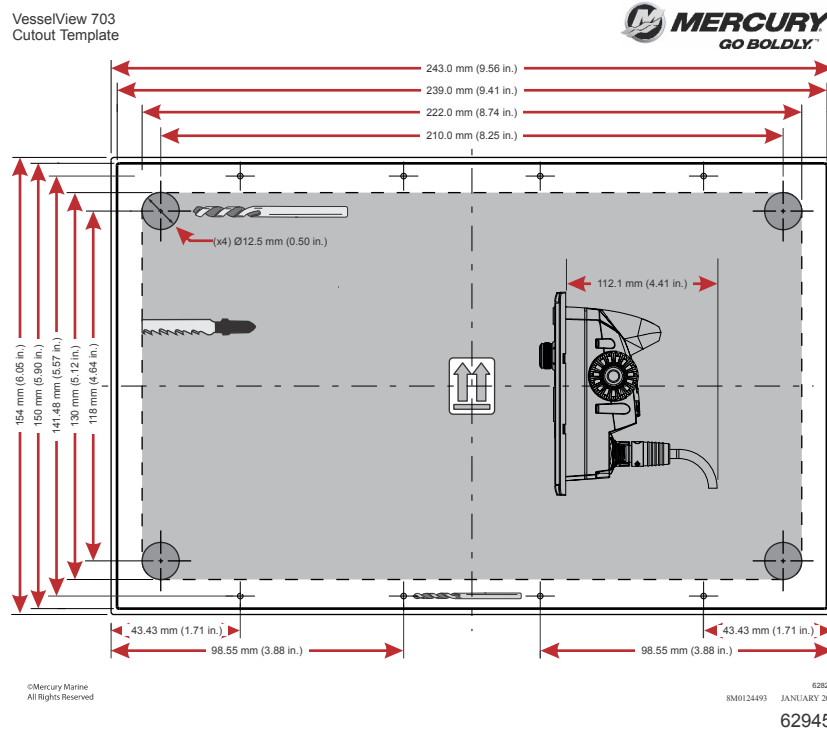
1. Select a suitable location for the VesselView on the boat's instrument panel.  
**NOTE:** The area behind the panel should be clear of any cables, wiring, or other hardware that may interfere with installation. The mounting location should also provide good visibility from the boat operator's position.
2. Disconnect the batteries powering the gauges or SmartCraft components.
3. Cut out the supplied template.  
**NOTE:** Always check the template cutout to the mounting holes on the VesselView before drilling.
4. Use the template to determine the space required for mounting.
5. Prepare the mounting location surface as follows:
  - **Fiberglass panels:** Apply masking tape to the area being cut to prevent cracking the fiberglass.

- **Vinyl-covered panels:** Use a razor blade to carefully remove the vinyl from the area being cut to avoid tearing the vinyl.

## Cutting the Panel

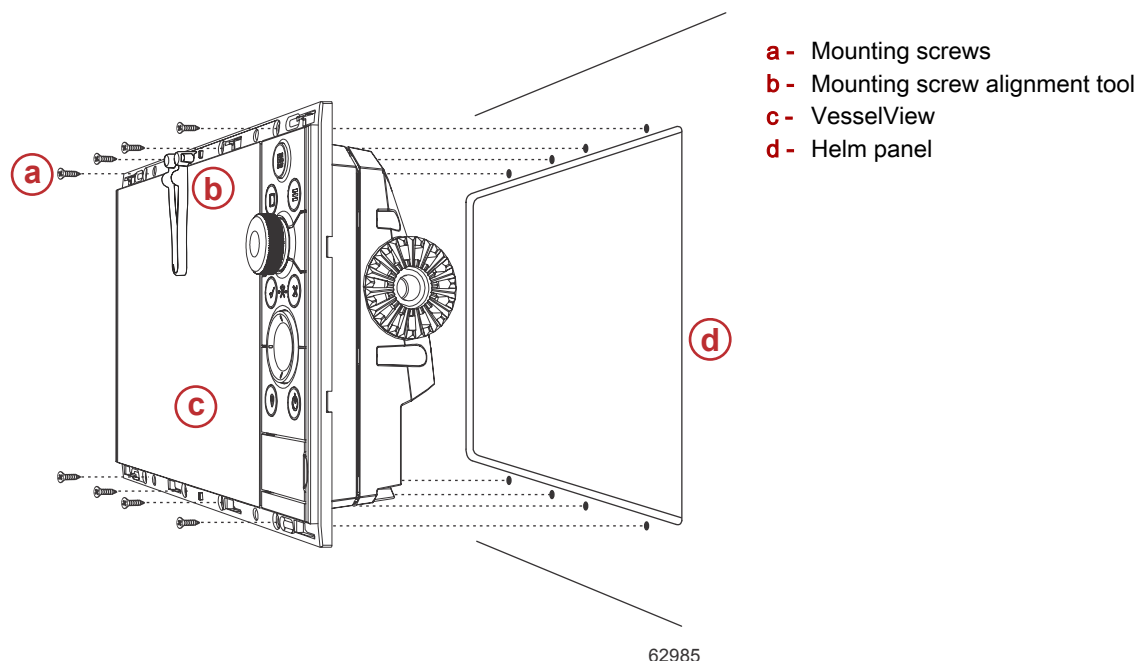
1. After preparing the area to be cut, tape the mounting template to the panel.
2. Use appropriate tools to cut out the shaded portion of the template. The mounting screw holes should be drilled using a 3 mm (1/8 in.) bit.

**NOTE:** The following diagram is an example only. Use the template that came with the kit.



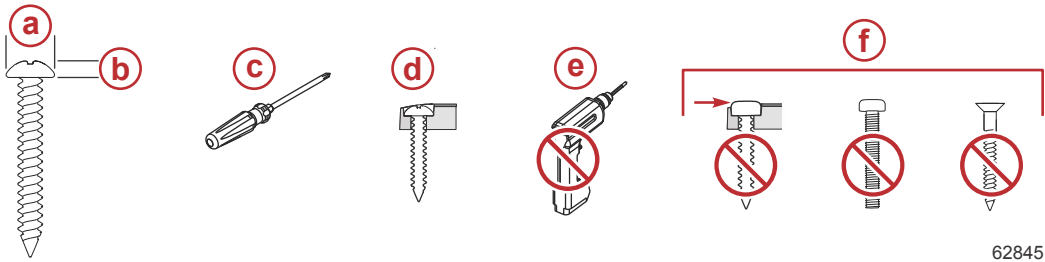
3. Remove the template and insert the VesselView into the panel to ensure fit. Do not secure to the instrument panel at this time.

## Securing VesselView to the Instrument Panel



1. Insert the VesselView into the opening.

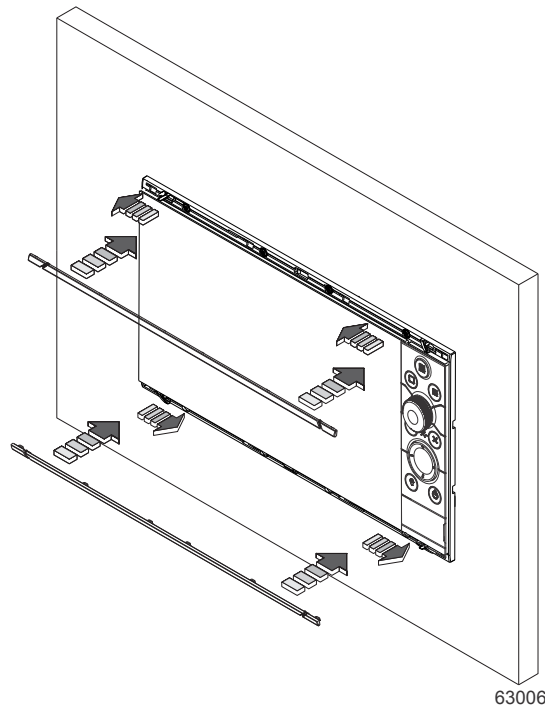
- Secure the VesselView with the appropriate size mounting screws. Use the supplied alignment tool when driving the mounting screws, this will properly align the screws to ensure that the bezel will seat securely to the unit. Do not overtighten the screws.



62845

- a** - Maximum of 5.5 mm (0.22 in.)
- b** - Maximum of 2.2 mm (0.09 in.)
- c** - Use a screwdriver
- d** - Proper screw seating
- e** - No use of power drivers
- f** - Improper mounting hardware

- Installing the bezel and removal: When fitting bezels, ensure that the hook tabs on the back of each bezel recess into opposing slots on the screen frame. Once flush with the front surface of the screen, slide the top bezel to the left, and the bottom bezel to the right to lock them into place. The bezel trim has been designed to be low profile, and therefore fully conceal the locking tabs that keep it from being accidentally disengaged from the mounting flange. To remove the bezel trim, slide it sideways; to the right for the top bezel and to the left for the bottom bezel.



63006

Bezel install; opposite for removal

## DTS Wiring Guidelines

### ⚠ WARNING

Splicing or probing will damage the wire insulation allowing water to enter the wiring. Water intrusion may lead to wiring failure and loss of throttle and shift control. To avoid the possibility of serious injury or death from loss of boat control, do not splice or probe into any wire insulation of the DTS system.

- Never attempt to connect, network, tie into, switch, sink source voltage or current from the DTS wiring harnesses.

- Never attempt to connect any type of communication or navigation equipment into the DTS wiring harnessing other than at the designated connection point.
- Always install boat accessory equipment using an appropriate power source connection, such as a fuse panel or junction box.
- Never attempt to tap directly into any of the DTS electrical wiring harnesses for a source of power.

## Wiring Guidelines for Electrical Boat Accessories

### WARNING

Excessive voltage drop may compromise the DTS system, leading to serious injury or death from loss of throttle and shift control. Do not wire any electrical accessory into the 12-volt ignition key switch circuits of the DTS system.

**IMPORTANT:** Do not connect boat accessories to the ignition key switch. Use a separate, switched 12-volt source for wiring boat accessories.

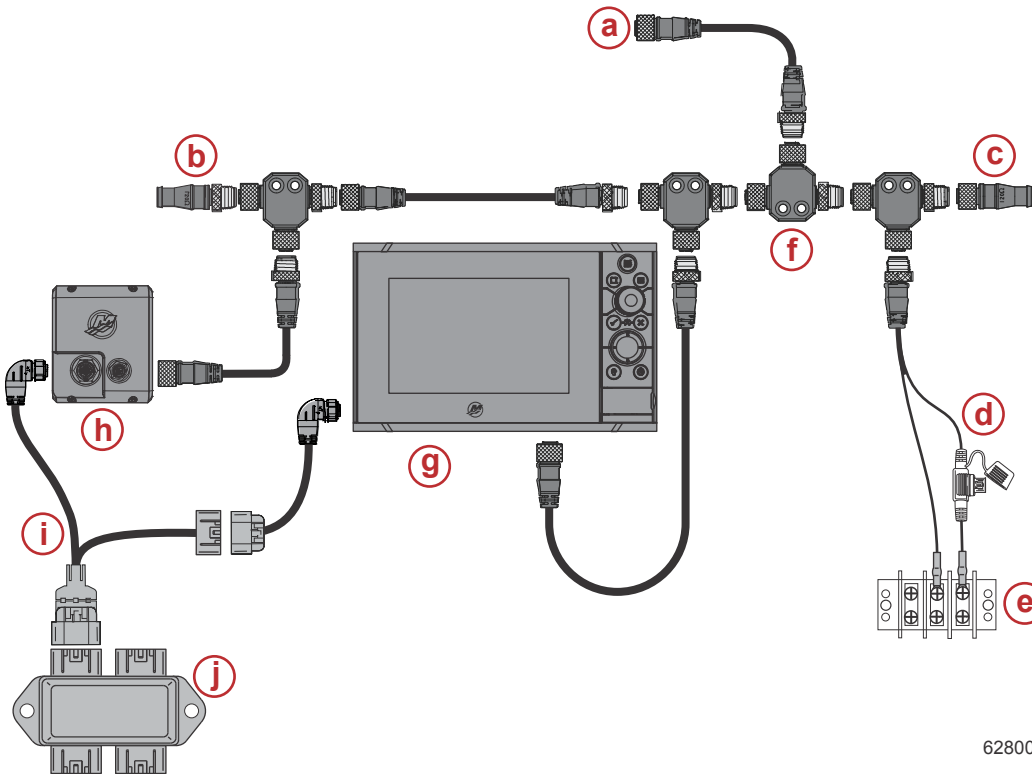
**IMPORTANT:** The DTS system requires a consistent 12-volt power source. Splicing or connecting accessories to the 12-volt or ignition key switch DTS circuits (purple, purple/white, or red wires) could blow a fuse or overload circuits, causing intermittent or complete loss of operation.

## Harness Installation Guidelines

- Locate an appropriate path for routing the harness connections to their installation points.
- Inspect the routing path to ensure that surfaces are free of any sharp edges or burrs that could cut the harness.
- Fasten and support the harness with clamps or cable ties every 45.8 cm (18 in.) along the routing path. A clamp or cable tie must be used within 25.4 cm (10 in.) of any connection in a DTS system.
- Ensure that all connections are tight. Seal all unused connectors with weather caps.

## VesselView 703 Connections

**IMPORTANT:** When replacing a VesselView 702 with a VesselView 703, it is important to know that the 703 has built-in sonar and wifi capabilities. If you are upgrading to VesselView 703 from a VesselView 702 display that used an external WIFI-1 module and/or an external sonar module, it is recommended to use the capability of the 703 and no longer use the external modules.



62800

- a** - Optional connection to a chartplotter or multifunction display
- b** - 120 ohm termination resistor, male
- c** - 120 ohm termination resistor, female
- d** - NMEA® 2000 fused power source
- e** - Power bus
- f** - NMEA® 2000 T-connector
- g** - VesselView 703
- h** - VesselView Link controller
- i** - VesselView Link harness
- j** - Junction box

**Products of Mercury Marine**  
 W6250 Pioneer Road  
 Fond du Lac, WI 54936-1939

© MERCURY MARINE. All rights reserved. Reproduction in whole or in part without permission is prohibited. Alpha, Axis, Bravo One, Bravo Two, Bravo Three, Circle M with Waves Logo, K-planes, Mariner, MerCathode, MerCruiser, Mercury, Mercury with Waves Logo, Mercury Marine, Mercury Precision Parts, Mercury Propellers, Mercury Racing, MotorGuide, OptiMax, Quicksilver, SeaCore, Skyhook, SmartCraft, Sport-Jet, Verado, VesselView, Zero Effort, Zeus, #1 On the Water and We're Driven to Win are registered trademarks of Brunswick Corporation. Pro XS is a trademark of Brunswick Corporation. Mercury Product Protection is a registered service mark of Brunswick Corporation.