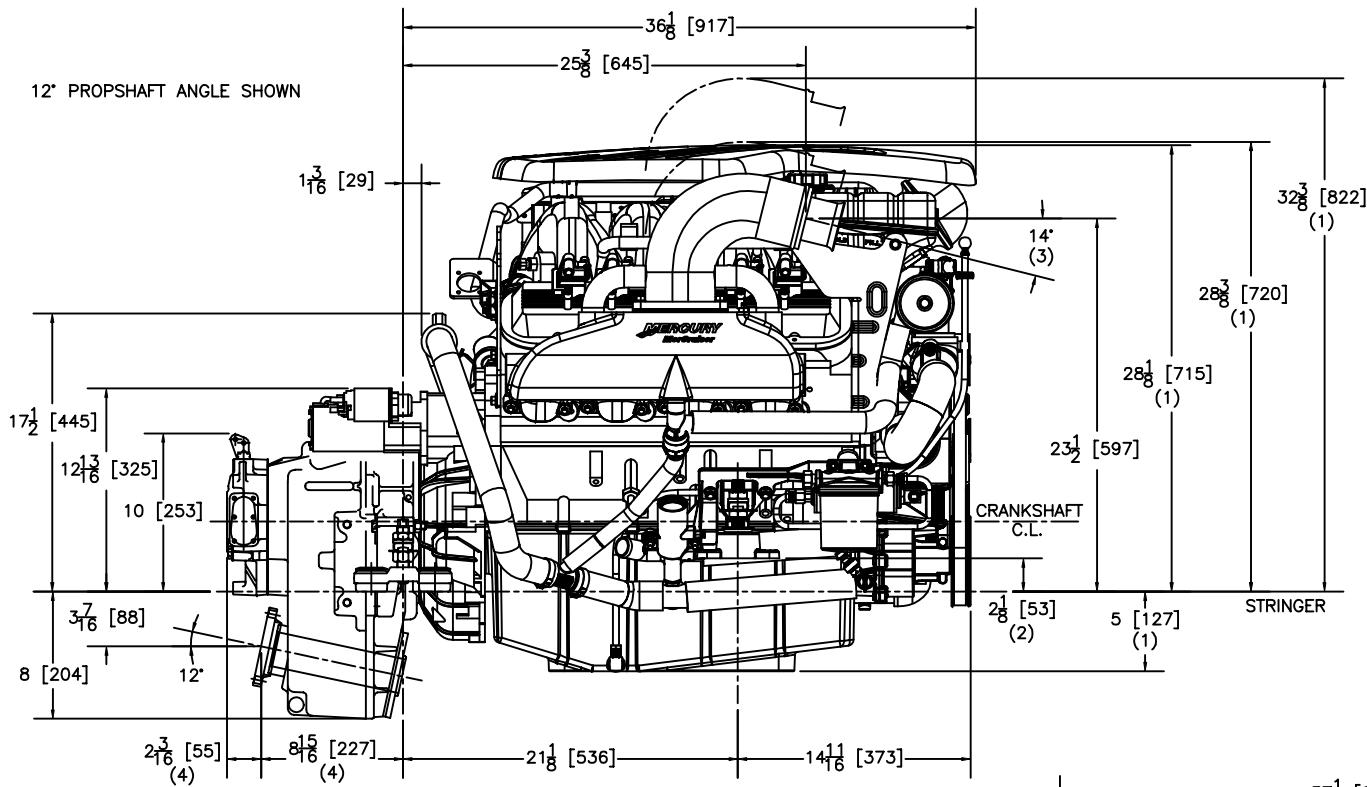
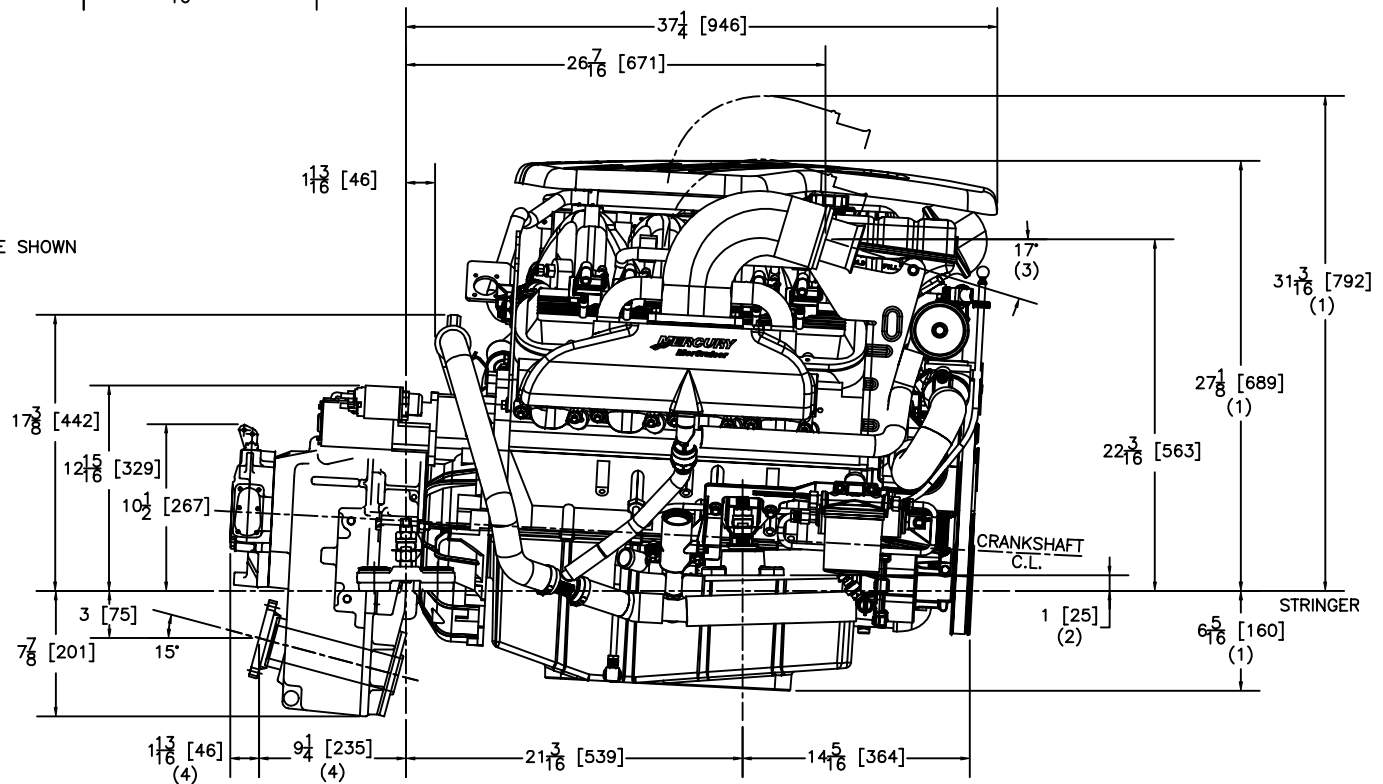


12° PROPSHAFT ANGLE SHOWN



15° PROPSHAFT ANGLE SHOWN



864784 SHEET 3 OF 3

8.1S WITH VELVET DRIVE 5000V V-DRIVE TRANSMISSION

NOTES:

- (1) DIMENSIONS REQUIRE A MINIMUM 1/2 in. (13mm) CLEARANCE FOR MOTOR MOUNT DEFLECTION.
- (2) BASE OF MOUNT TO BE PARALLEL TO STRINGER. MOUNTS SHOWN AT CENTER OF ADJUSTMENT.
- (3) MINIMUM ANGLE OF EXHAUST DROP 7° (1-1/2 in./ft.) WITH BOAT IN WATER AT REST.
- (4) DIMENSIONS APPLY TO POINT OF INTERSECTION OF OUTPUT SHAFT CENTERLINE AND OUTPUT FLANGE FACE.