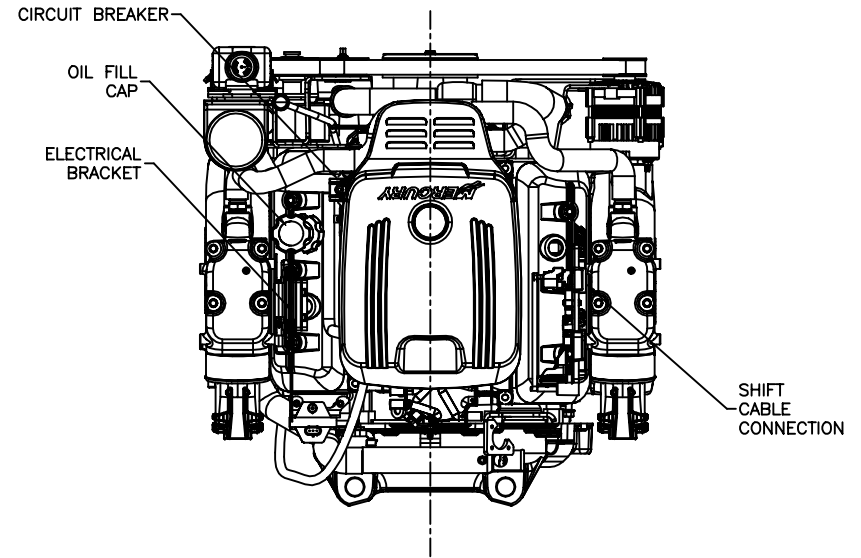


864679 SHEET 2 OF 2  
4.3L MPI ALPHA MULTI-POINT DRAIN

NOTES:

- (1) DIMENSIONS REQUIRE A MINIMUM 1/2 in. (13mm) CLEARANCE FOR MOTOR MOUNT DEFLECTION.
- (2) SELECT THE APPROPRIATE EXHAUST RISE-HEIGHT TO MAINTAIN A MINIMUM OF 13 in. (330mm) BETWEEN THE TOP OF THE EXHAUST ELBOW AND THE WATERLINE OF THE BOAT AT MAXIMUM RATED LOAD.
- (3) EXHAUST OUTLETS MUST BE ABOVE WATERLINE OF BOAT AT MAXIMUM RATED LOAD.

UNIT OF MEASURE	SCALE
in. [mm]	1" = 1' 25.4mm = 304mm



EXHAUST OUTLET DIA 4"  
(102) X 2"(51) LONG  
(2)(3)

REMOTE OIL FILTER

DRAIN PLUGS

5 11/16 [145]

ELECTRICAL HARNESS RECEPTACLE

CRANKSHAFT C.L.

WATER COOLED FUEL MODULE  
4 [102]  
(3/8 [10] NOM. DIA. BOLT HOLES)

(-) BATTERY TERMINAL CONNECTION

