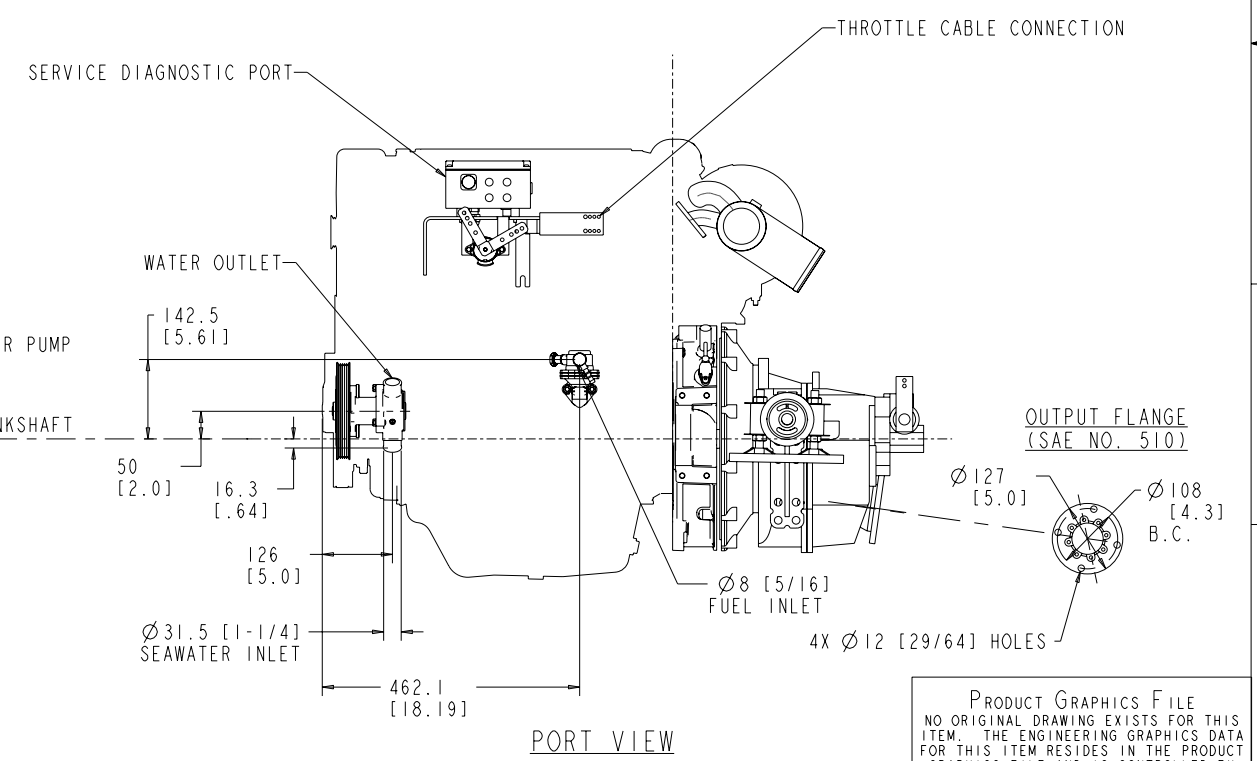
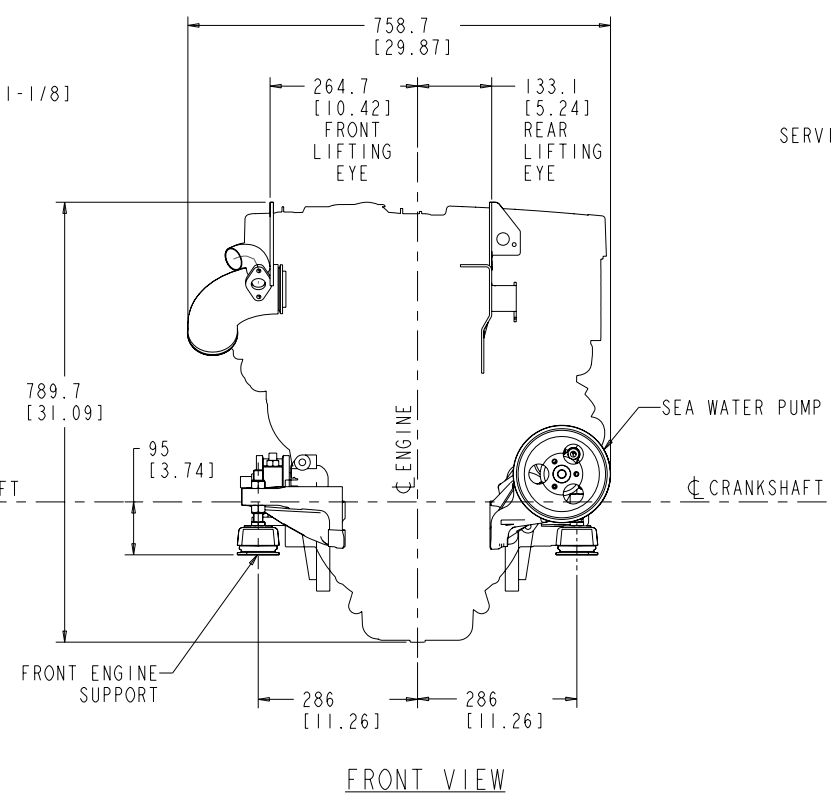
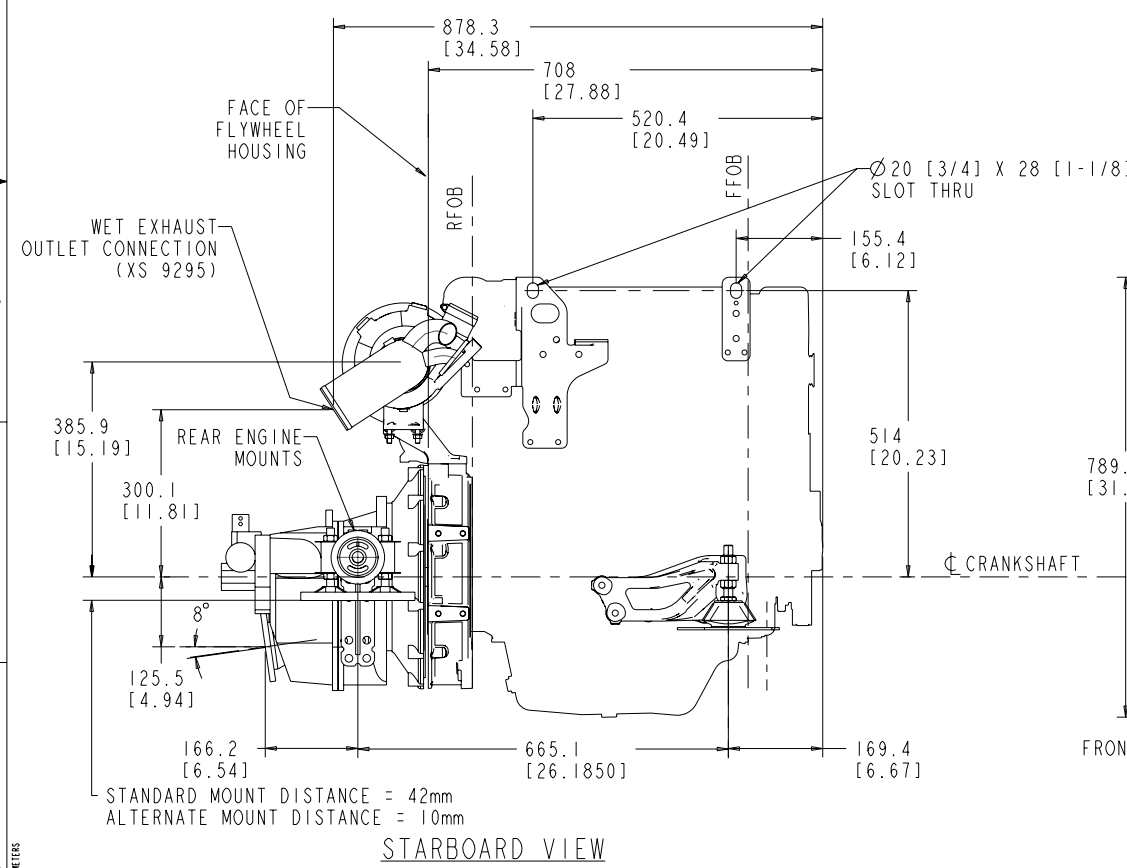
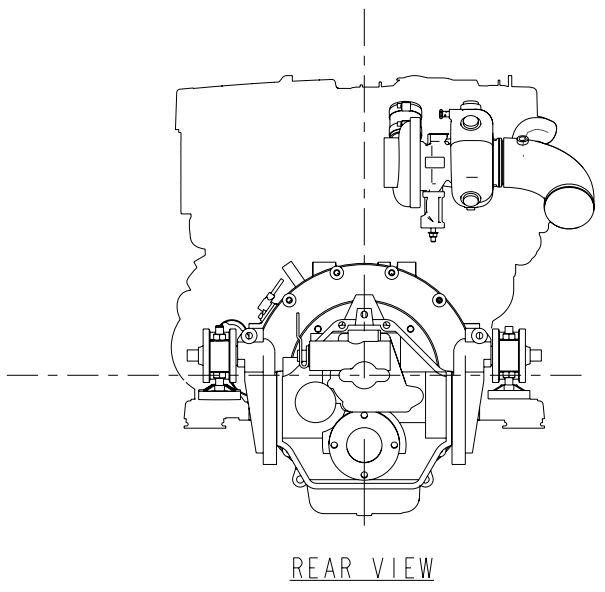
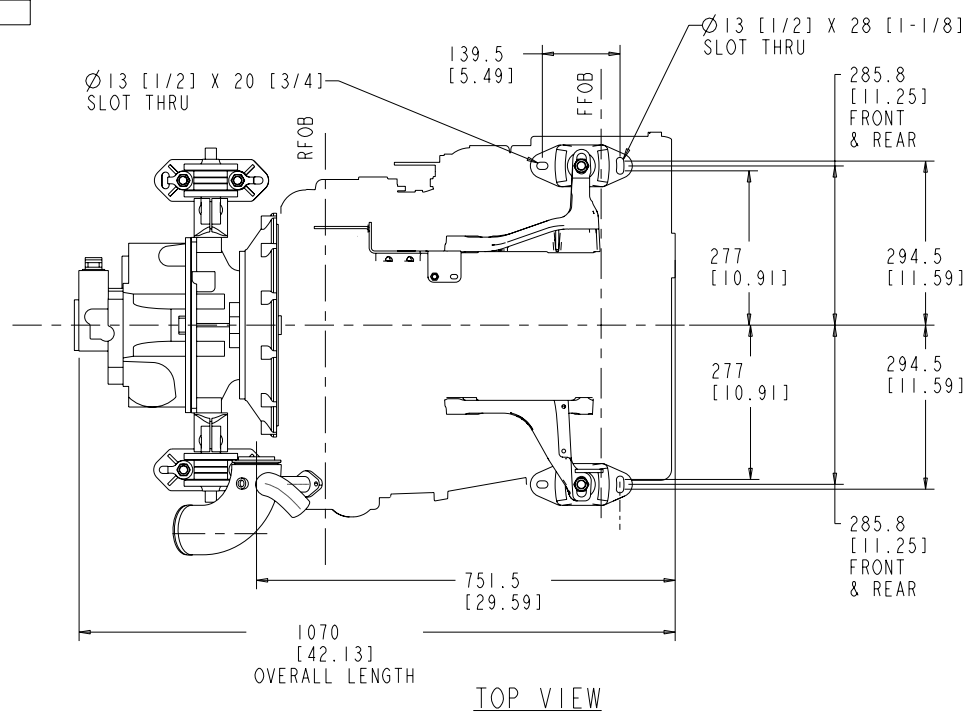
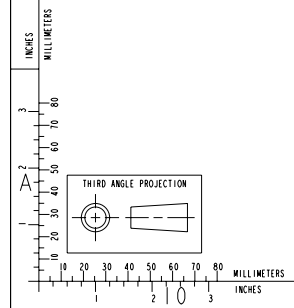


ITEM NUMBER
90-865822

REVISIONS			
ZONE	REV	DESCRIPTION	APP'D
01	REVISED		



INSTALLATION CONNECTIONS



DO NOT SCALE THIS DRAWING

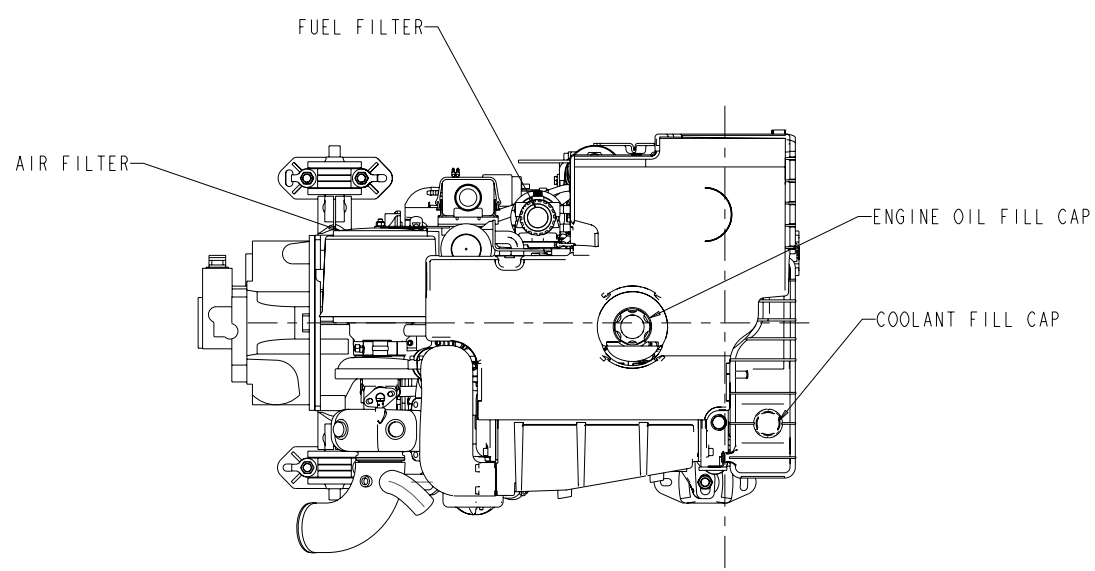
THIS DRAWING/DATA FILE (AND THE INFORMATION SHOWN THEREON) IS CONFIDENTIAL AND PROPRIETARY AND SHALL NOT BE USED, DISCLOSED TO OTHERS, OR REPRODUCED BY ANY MEANS FOR ANY PURPOSE IN HARD COPY FORM OR IN MACHINE READABLE FILES, WITHOUT WRITTEN CONSENT OF CUMMINS INC., MARKETING CAD SERVICES DEPARTMENT.

PRODUCT GRAPHICS FILE
NO ORIGINAL DRAWING EXISTS FOR THIS ITEM. THE ENGINEERING GRAPHICS DATA FOR THIS ITEM RESIDES IN THE PRODUCT GRAPHICS FILE AND IS CONTROLLED BY THE AGENCY DESIGNATED AS HAVING ITEM CONTROL.

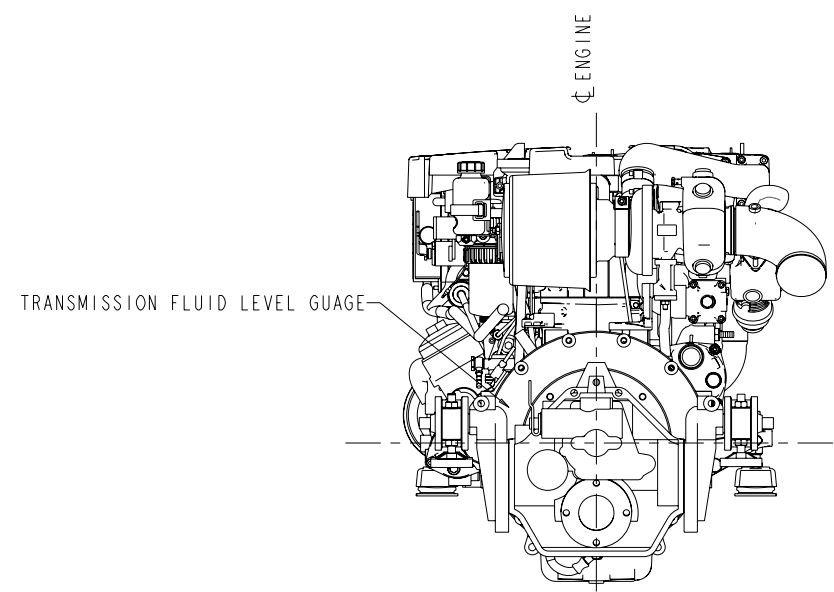
LAST SECTION LETTER USED: A	REF. DRAWING STANDARDS: ANSI Y14.5M ISO 81101	CUMMINS INC.
UNLESS OTHERWISE SPECIFIED DIMENSIONS ARE IN: MILLIMETERS () ARE IN: INCHES	ITEM NAME: 2.8E1 (170,200) w/ ZF45A	
DWN: D. SOMIN	IDENTIFIER: INSTALLATION DIAGRAM	
CHD: UNCHECKED	SIZE CODE IDENT. NO. ITEM NUMBER: 90-865822	
APPD:	SCALE: 2:1	ITEM CONTROL: MCS SHEET 1 OF 2

ITEM NUMBER
90-865822

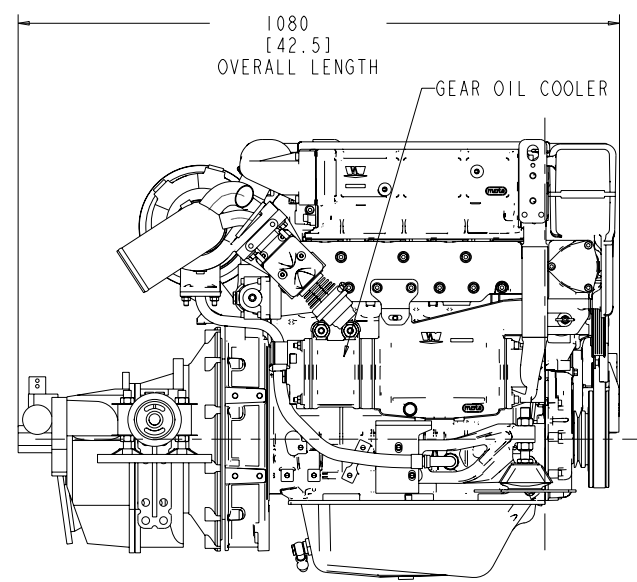
REVISIONS			
ZONE	REV	DESCRIPTION	APP'D
01	REVISED		



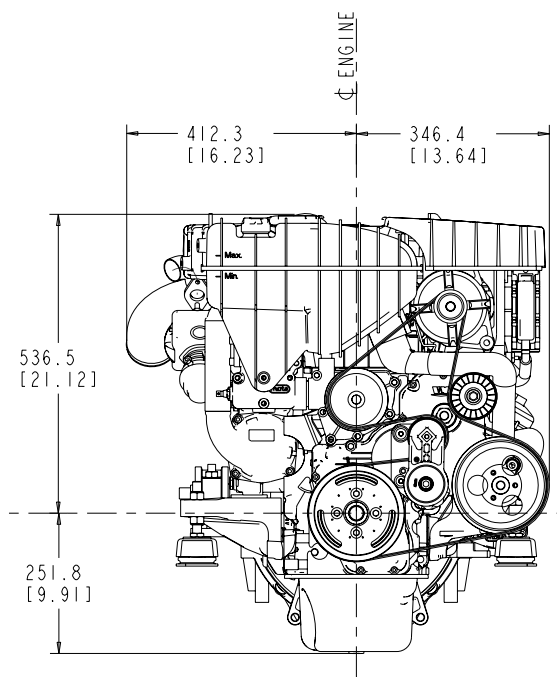
TOP VIEW



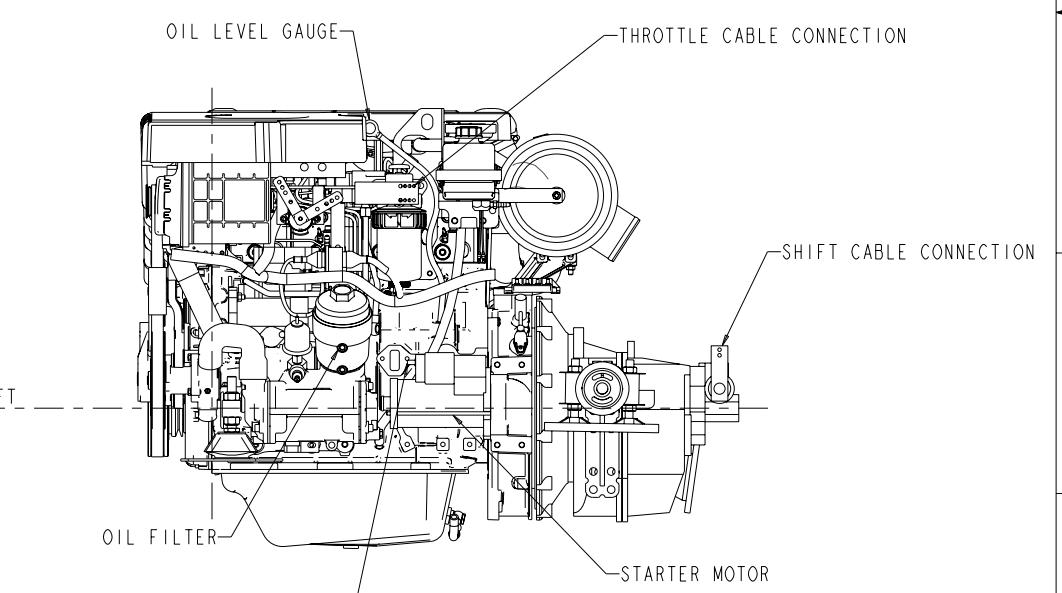
REAR VIEW



STARBOARD VIEW



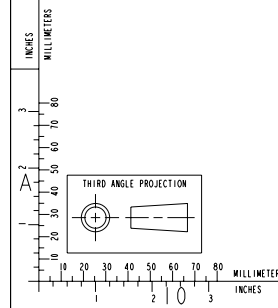
FRONT VIEW



PORT VIEW

SERVICE PORTS

PRODUCT GRAPHICS FILE
NO ORIGINAL DRAWING EXISTS FOR THIS ITEM. THE ENGINEERING GRAPHICS DATA FOR THIS ITEM RESIDES IN THE PRODUCT GRAPHICS FILE AND IS CONTROLLED BY THE AGENCY DESIGNATED AS HAVING ITEM CONTROL.



DO NOT SCALE THIS DRAWING
THIS DRAWING/DATA FILE (AND THE INFORMATION SHOWN THEREON) IS CONFIDENTIAL AND PROPRIETARY AND SHALL NOT BE USED, DISCLOSED TO OTHERS, OR REPRODUCED BY ANY MEANS FOR ANY PURPOSE IN HARD COPY FORM OR IN MACHINE READABLE FILES, WITHOUT WRITTEN CONSENT OF CUMMINS INC., MARKETING CAD SERVICES DEPARTMENT.

LAST SECTION LETTER USED: A	REF. DRAWING STANDARDS: ANSI Y14.5M ISO 81101	CUMMINS INC.
UNLESS OTHERWISE SPECIFIED DIMENSIONS ARE IN: MILLIMETERS () ARE IN: INCHES	ITEM NAME 2.8E1 (170,200) w/ ZF45A	IDENTIFIER
DWN: D. SOMIN CHD: UNCHECKED APPD:	SCALE: 2:1	ITEM NUMBER 90-865822
		ITEM CONTROL: MCS SHEET 2 OF 2