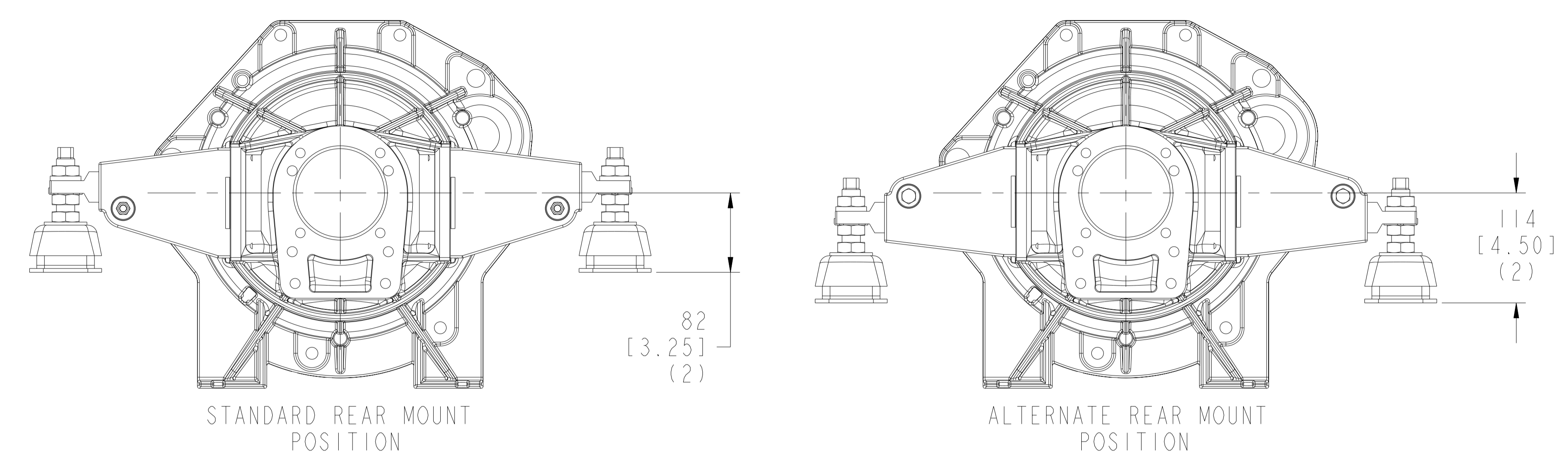
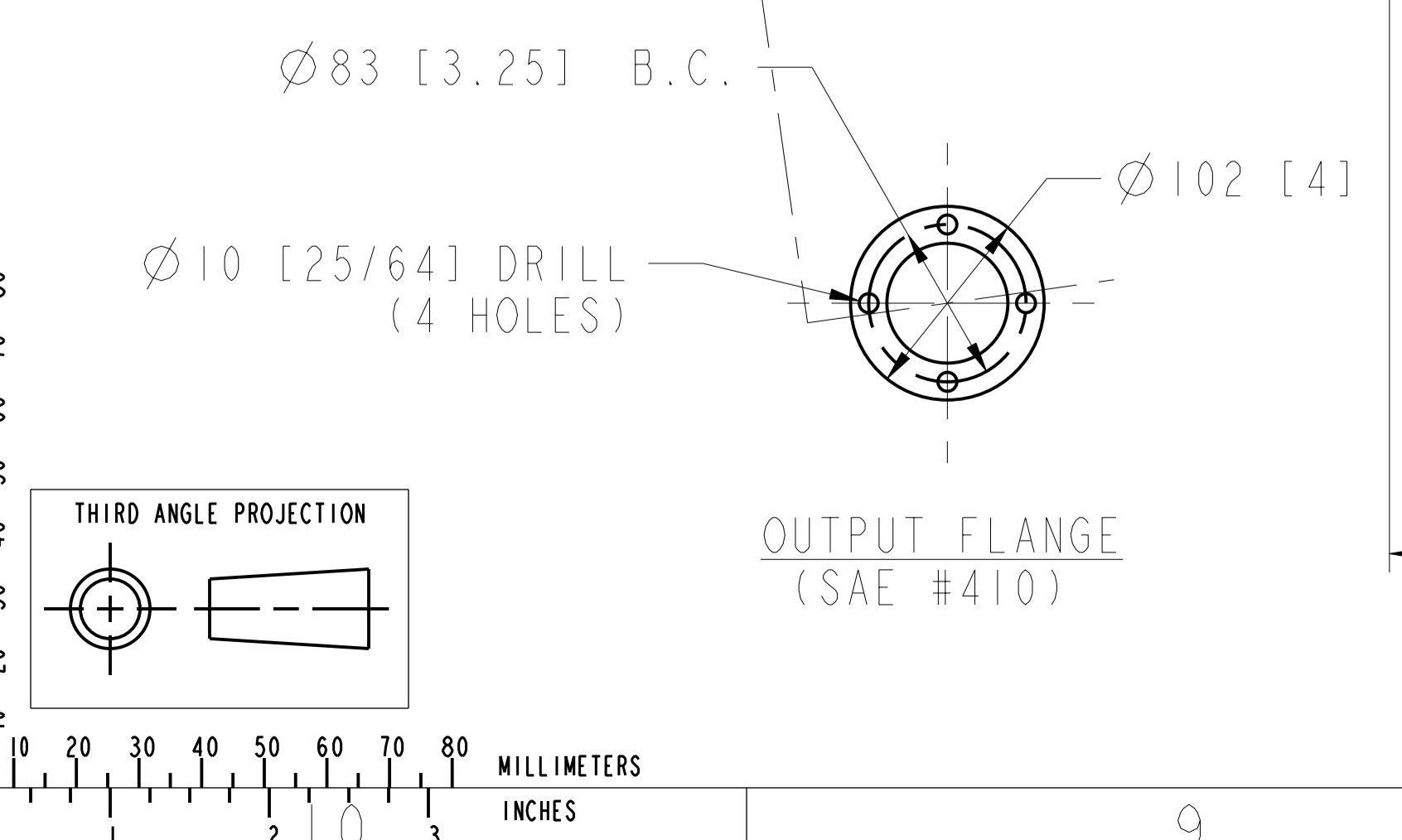
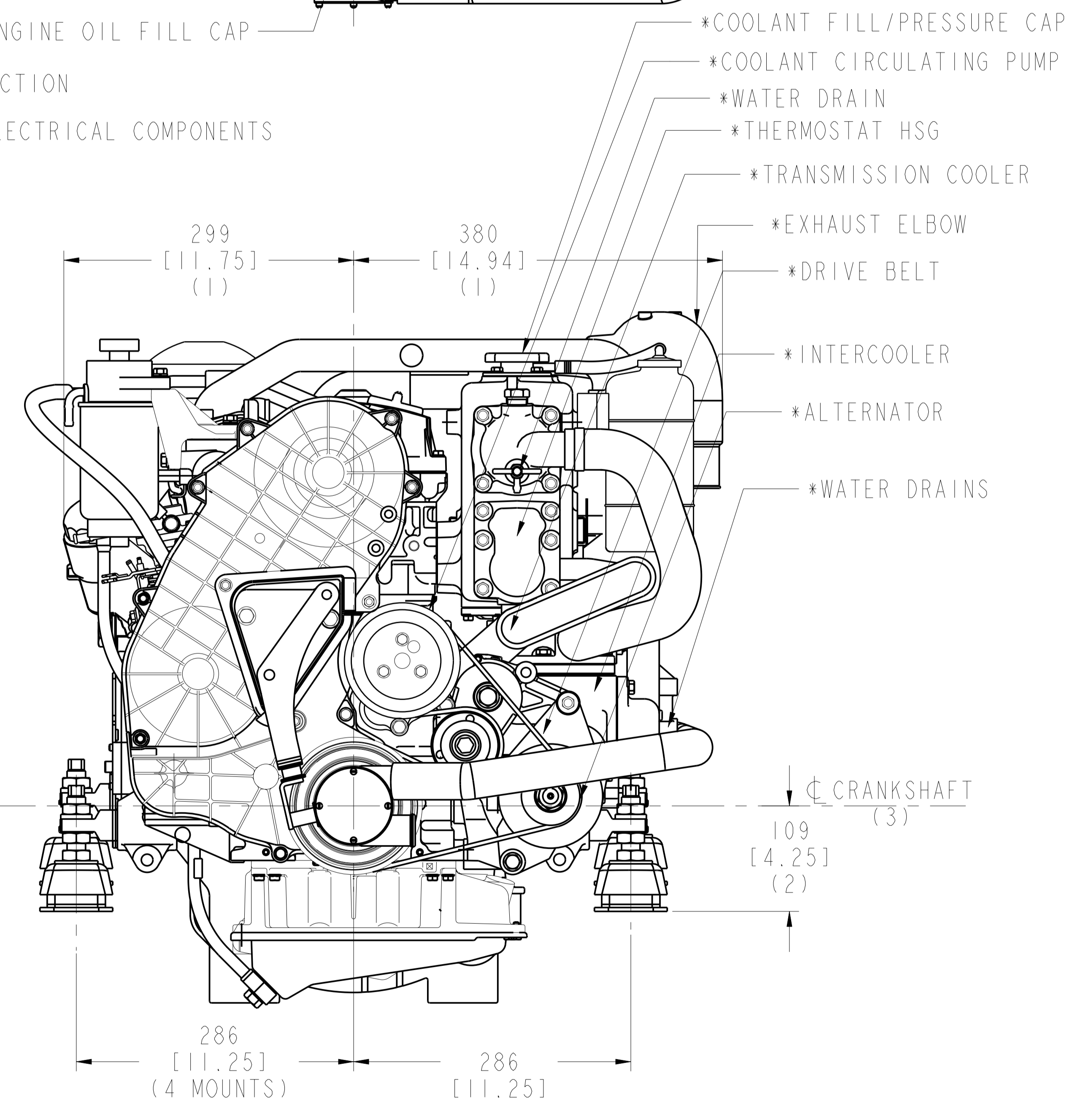
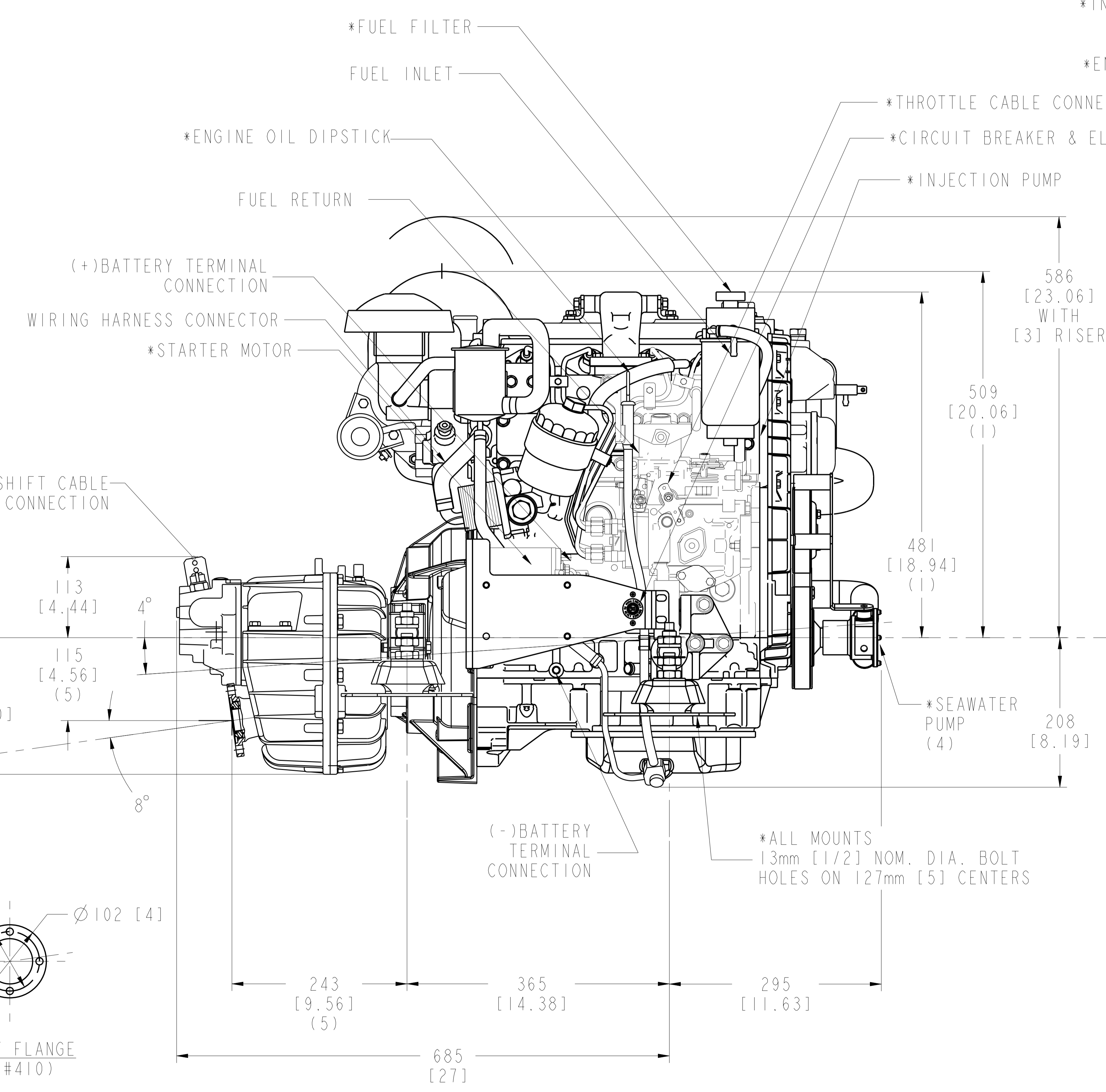
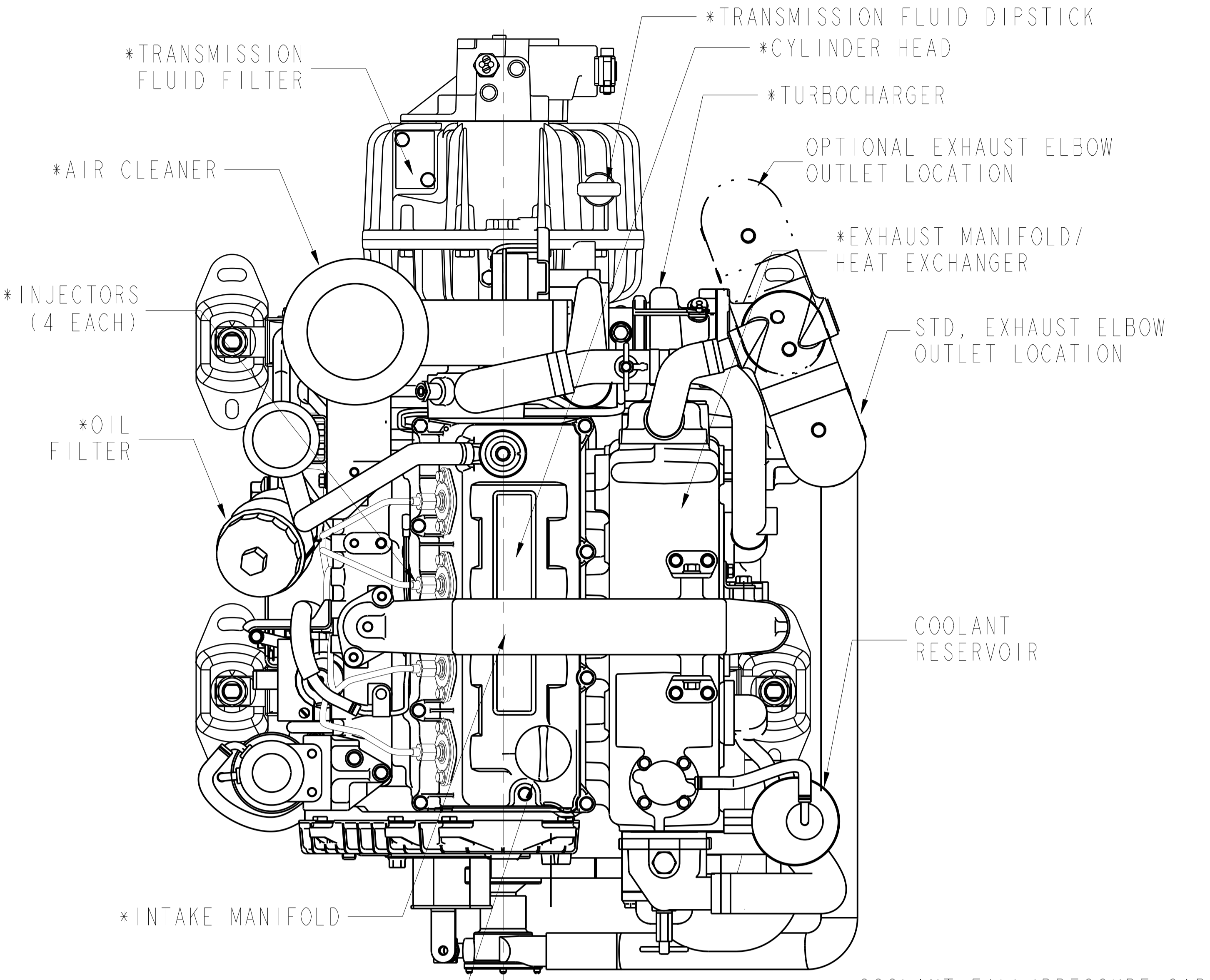


NOTES:

1. DIMENSIONS REQUIRE A MINIMUM 13mm [1/2] CLEARANCE FOR ENGINE MOUNT DEFLECTION.
2. ENGINE MOUNTS ADJUST 8mm [5/16] UP OR DOWN.
3. FOR CORRECT CABIN/WATER HEATER CONNECTION, REFER TO APPLICATIONS MANUAL.
4. 50mm [2] CLEARANCE REQUIRED IN FRONT OF ENGINE FOR SERVICE OF PUMP.
5. DIMENSIONS APPLY TO POINT OF INTERSECTION OF OUTPUT SHAFT CENTERLINE AND OUTPUT FLANGE FACE.
6. BASE OF MOUNT TO BE PARALLEL TO STRINGER. MOUNTS SHOWN AT CENTER OF ADJUSTMENT.
7. SHOWN WITH ZF25A TRANSMISSION.
8. NUMBERS INSIDE BRACKETS ARE IN INCHES.



*MUST PROVIDE ACCESS FOR SERVICING THESE COMPONENTS

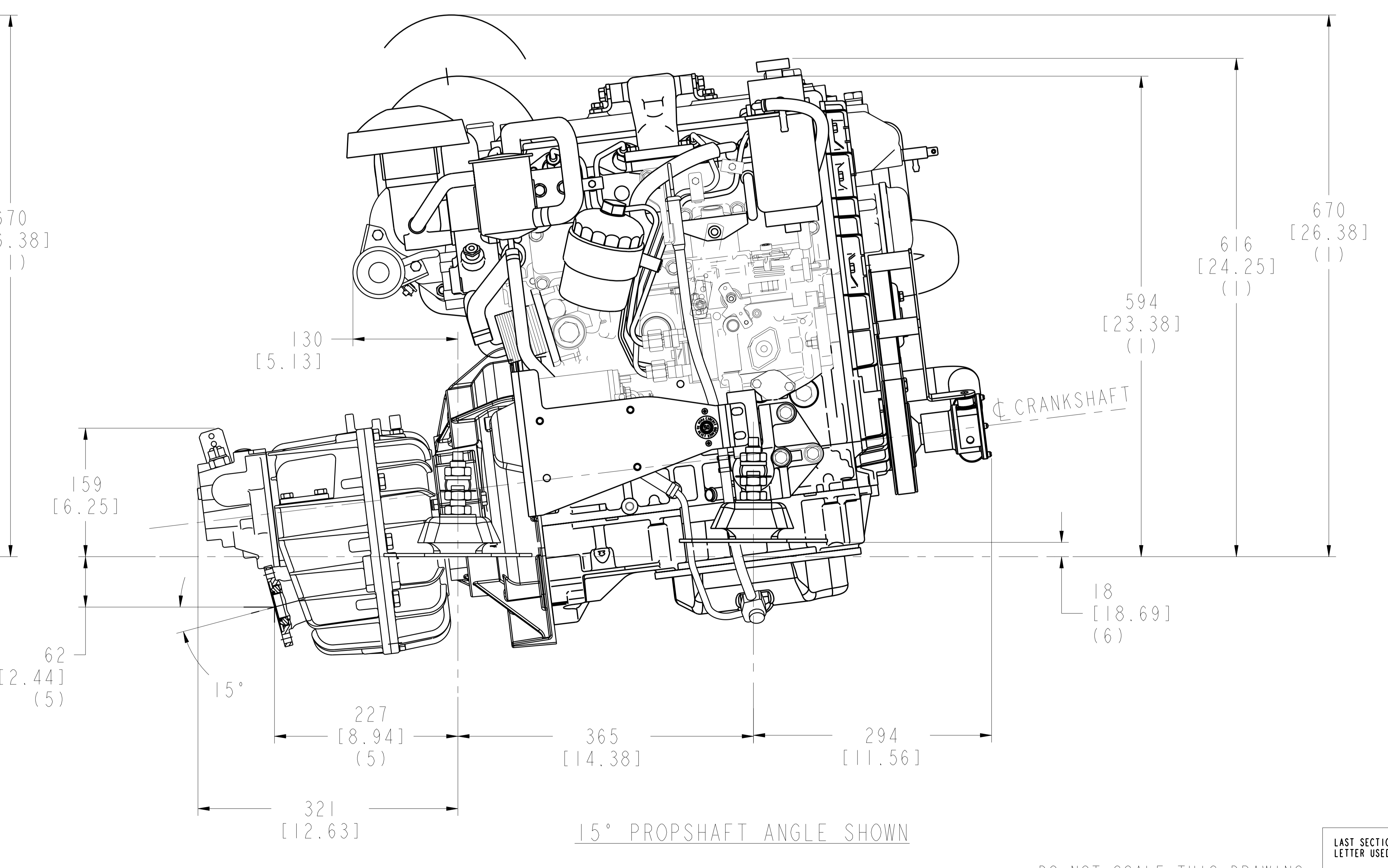
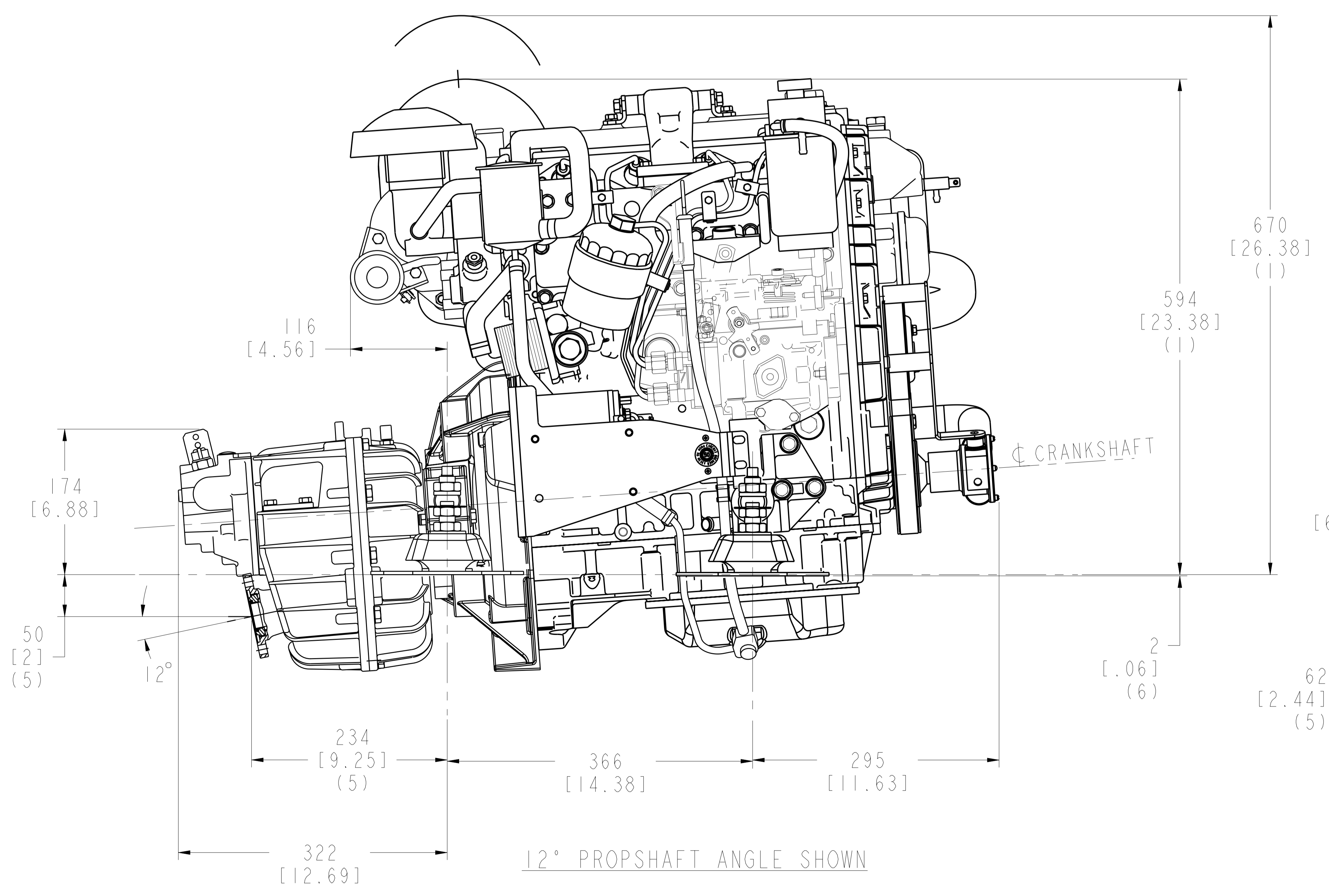
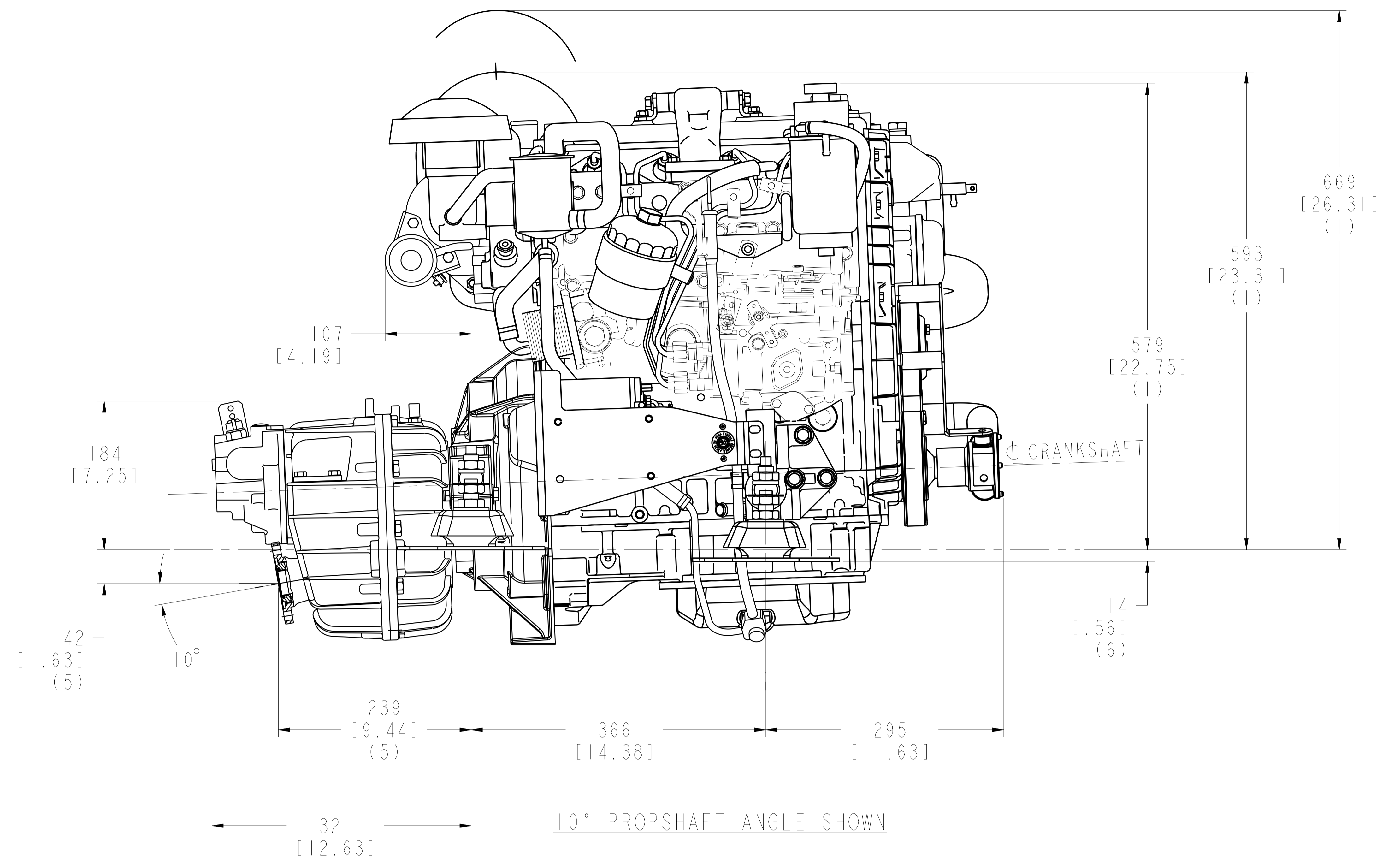


PRODUCT GRAPHICS FILE
NO ORIGINAL DRAWING EXISTS FOR THIS ITEM. THE ENGINEERING GRAPHICS DATA FOR THIS ITEM RESIDES IN THE PRODUCT GRAPHICS FILE AND IS CONTROLLED BY THE AGENCY DESIGNATED AS HAVING ITEM CONTROL.

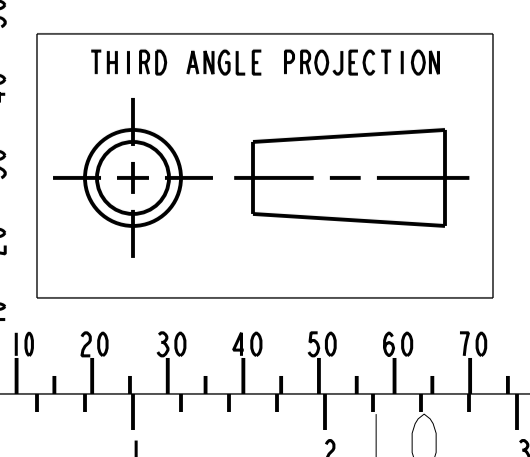
DO NOT SCALE THIS DRAWING

THIS DRAWING/DATA FILE (AND THE INFORMATION SHOWN THEREON) IS CONFIDENTIAL AND PROPRIETARY AND SHALL NOT BE USED, DISCLOSED TO OTHERS, OR REPRODUCED BY ANY MEANS FOR ANY PURPOSE IN HARD COPY FORM OR IN MACHINE READABLE FILES, WITHOUT WRITTEN CONSENT OF CUMMINS INC., MARKETING CAD SERVICES DEPARTMENT.

LAST SECTION LETTER USED: --	REF. DRAWING STANDARDS: ANSI Y14.5M ISO R1101	CUMMINS INC.	
UNLESS OTHERWISE SPECIFIED DIMENSIONS ARE IN: MM	ITEM NAME MerCruiser 1.7 M1120	IDENTIFIER INSTALLATION DIAGRAM	
DWN: D. SOMIN	DATE: 09-24-03	SIZE CODE IDENT. NO.	ITEM NUMBER
CND: UNCHECKED		J	90-865311
APPD:		SCALE: N/A	ITEM CONTROL: MCS SHEET 1 OF 2



INCHES
MILLIMETERS



PRODUCT GRAPHICS FILE
NO ORIGINAL DRAWING EXISTS FOR THIS ITEM. THE ENGINEERING GRAPHICS DATA FOR THIS ITEM RESIDES IN THE PRODUCT GRAPHICS FILE AND IS CONTROLLED BY THE AGENCY DESIGNATED AS HAVING ITEM CONTROL.

DO NOT SCALE THIS DRAWING
THIS DRAWING/DATA FILE (AND THE INFORMATION SHOWN THEREON) IS CONFIDENTIAL AND PROPRIETARY AND SHALL NOT BE USED, DISCLOSED TO OTHERS, OR REPRODUCED BY ANY MEANS FOR ANY PURPOSE IN HARD COPY FORM OR IN MACHINE READABLE FILES, WITHOUT WRITTEN CONSENT OF CUMMINS INC., MARKETING CAD SERVICES DEPARTMENT.

LAST SECTION LETTER USED: --	REF. DRAWING STANDARDS: ANSI Y14.5M ISO R1101	CUMMINS INC.	
UNLESS OTHERWISE SPECIFIED DIMENSIONS ARE IN: IN	ITEM NAME: MerCruiser 1.7 M1120	INSTALLATION DIAGRAM	
DWN: D. SOMIN 09-24-03	SIZE CODE IDENT. NO. ITEM NUMBER: J 90-865311	SCALE: N/A ITEM CONTROL: MCS SHEET 2 OF 2	
CND: UNCHECKED			
APPD: --			