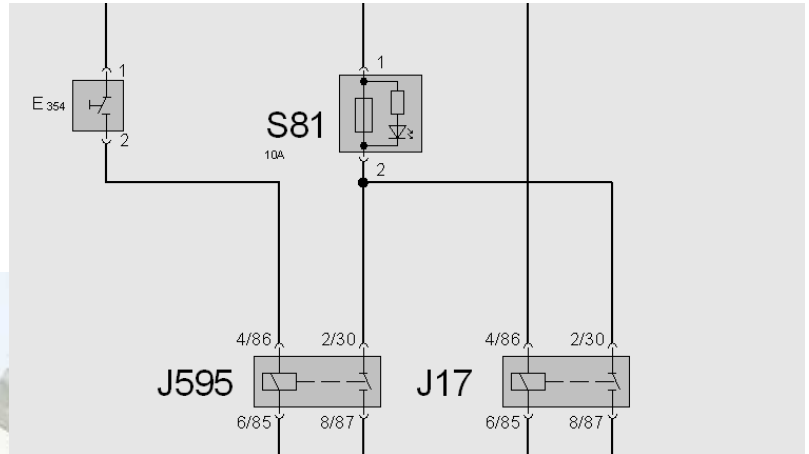
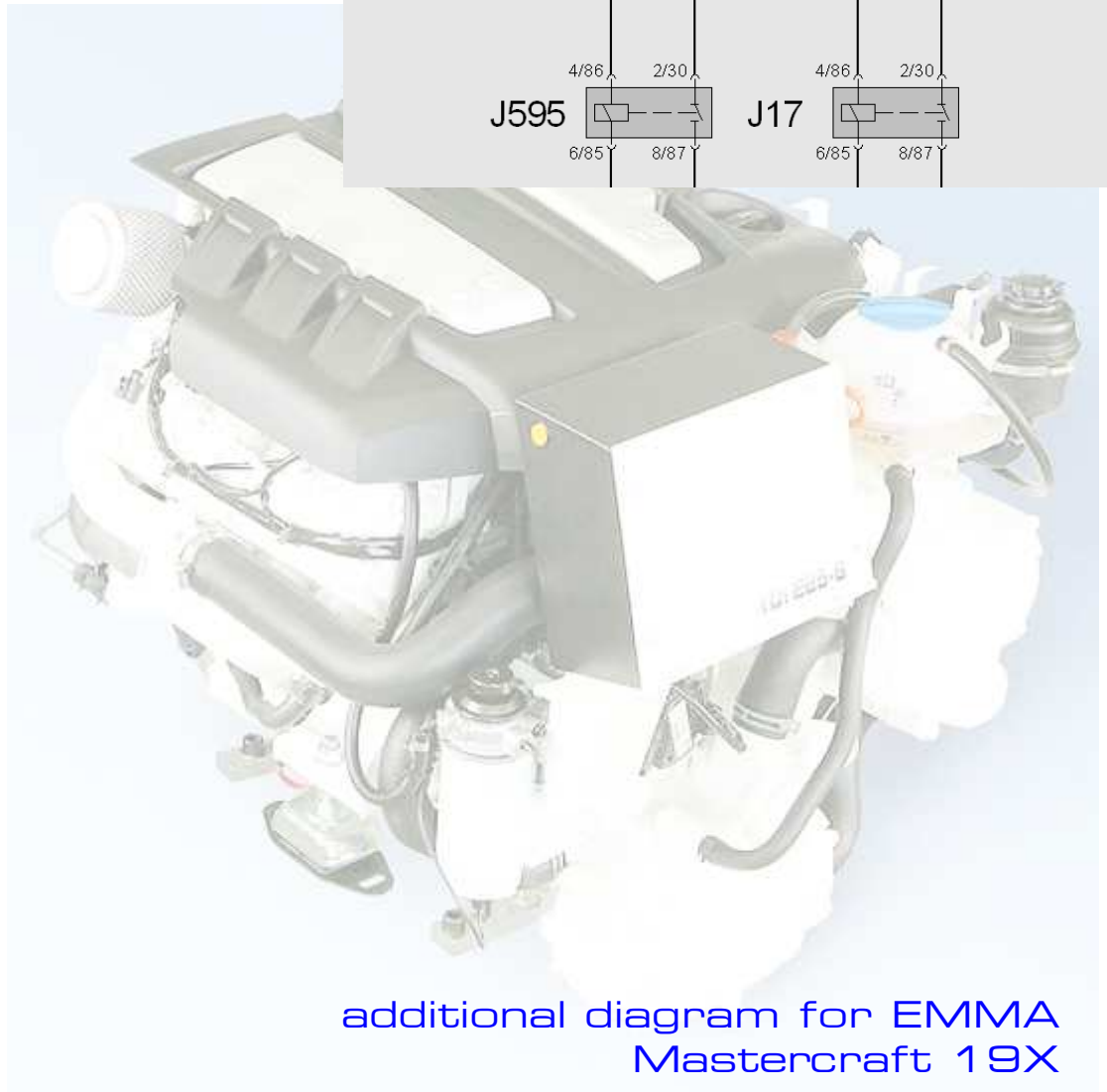


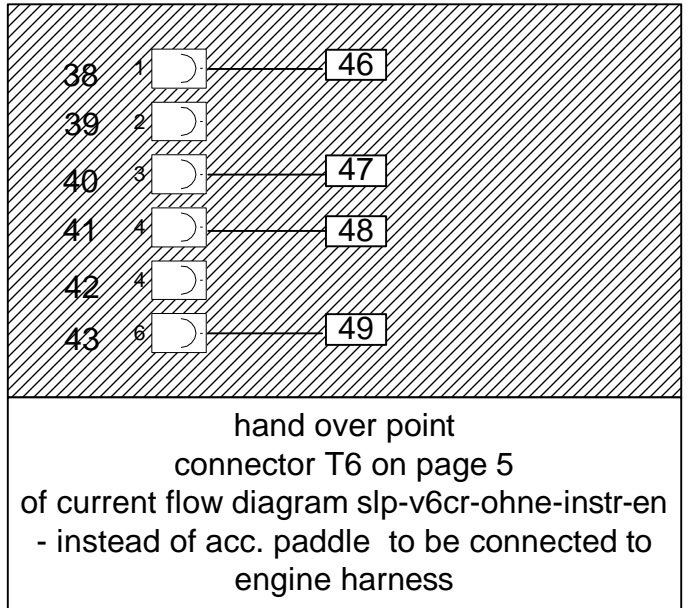
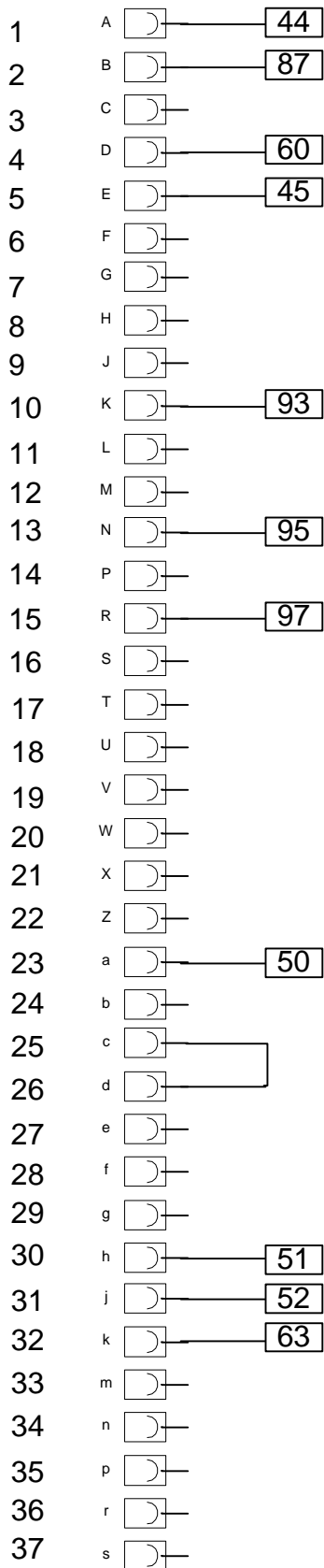
# Current flow diagram

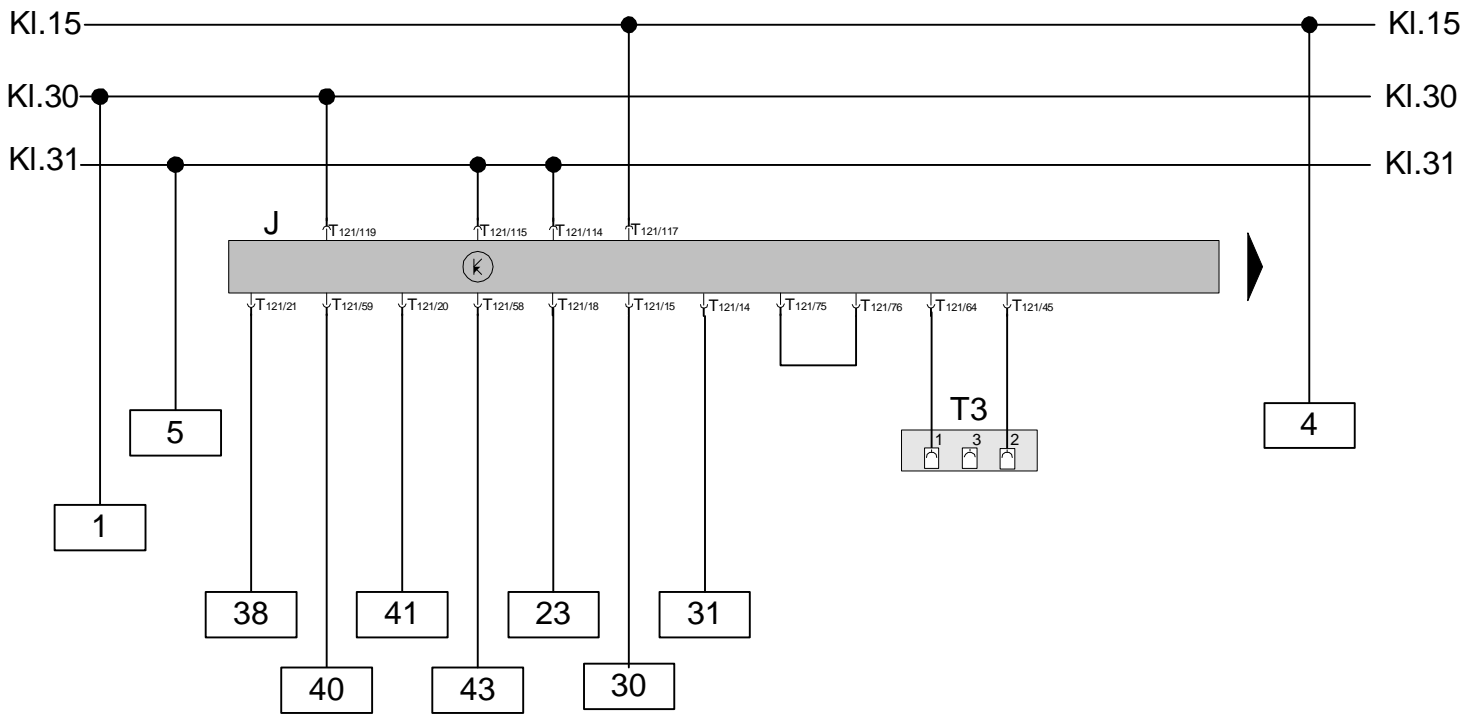


## Boat Engines from Volkswagen Marine



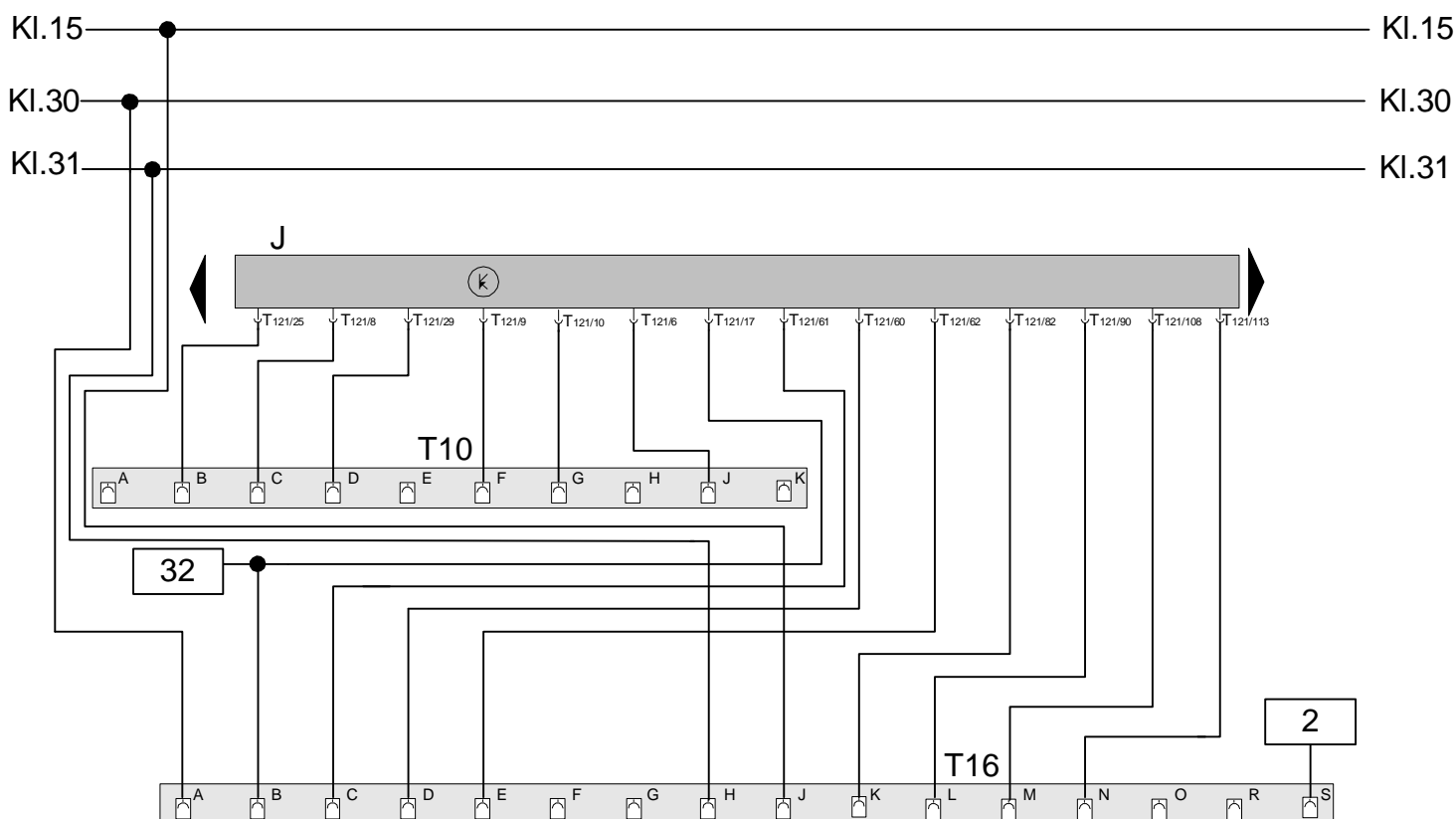
additional diagram for EMMA  
Mastercraft 19X





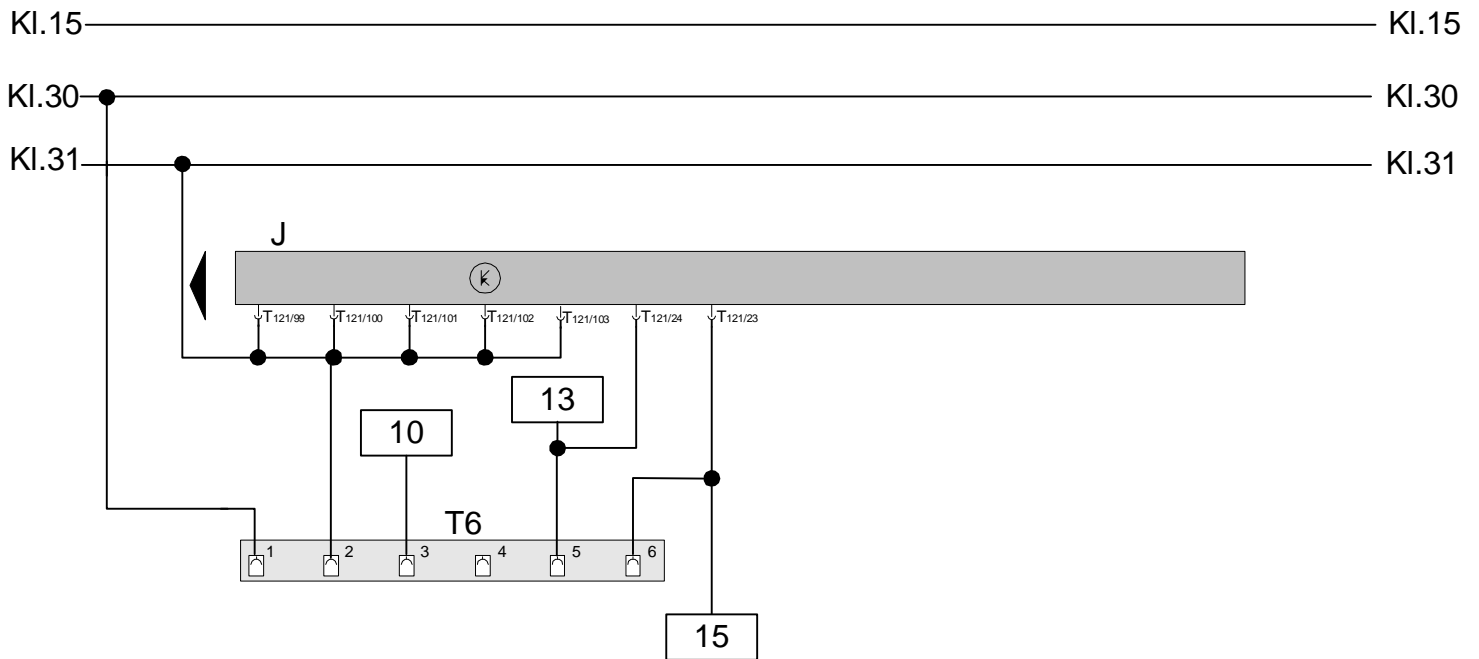
44 45 46 47 48 49 50 51 52 53 54 55 56 57 58 59 60 61

J EMMA  
T3 3pin connector for diagnosis of EMMA



62 63 64 65 66 67 68 69 70 80 81 82 83 84 85 86 87 88

- J EMMA
- T10 10pin connector to Mastercraft Control lever
- T16 16pin connector to Mastercraft instrumts harness



89 90 91 92 93 94 95 96 97 98 99 100 101 102 103 104 105 106

J EMMA  
T6 6pin connector for engine diagnosis