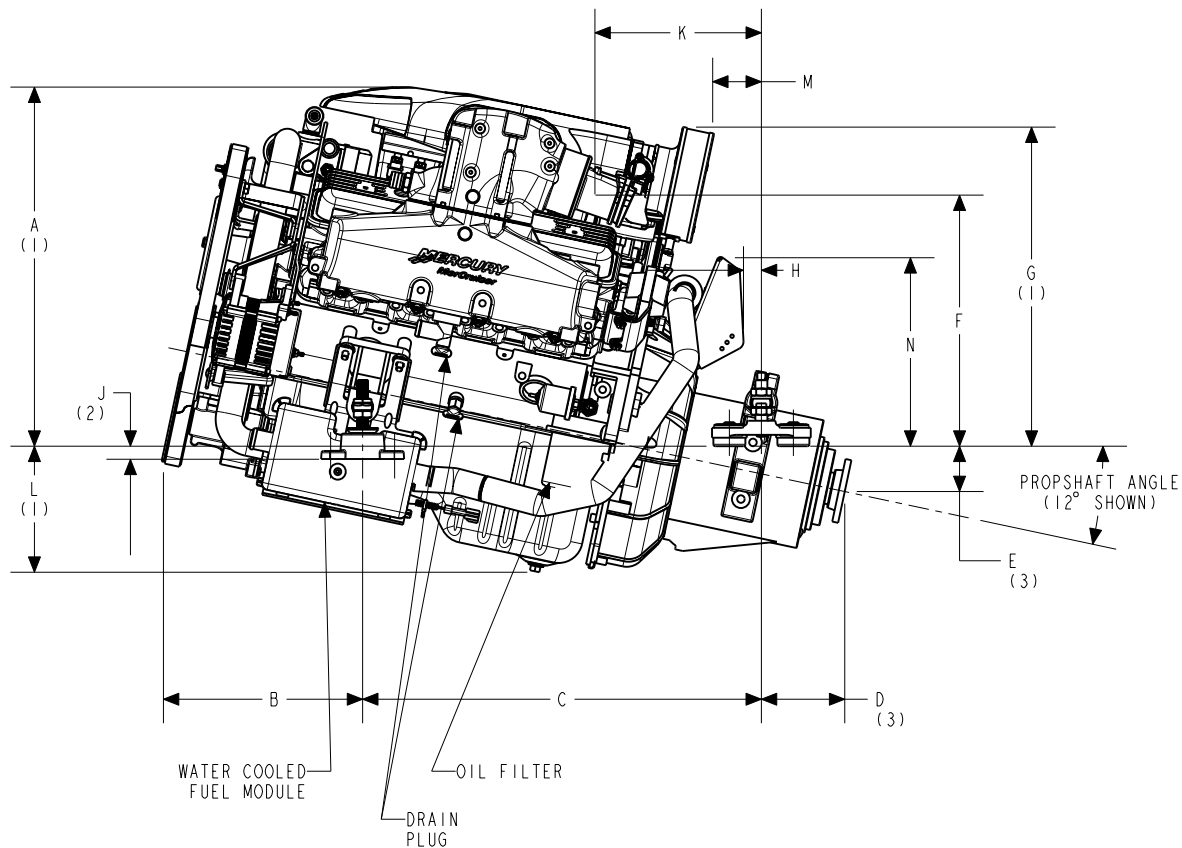


OUTPUT FLANGE  
(SAE NO. 410)

UNIT OF MEASURE	SCALE
in. [mm]	1" = 1', 25.4mm = 304mm

90-865357 SHEET 1 OF 1  
350 / 62 BLACK SCORPION VELVET DRIVE 71C

- NOTES:
- (1) DIMENSIONS REQUIRE A MINIMUM 1/2 in. (13mm) CLEARANCE FOR MOTOR MOUNT DEFLECTION
  - (2) SELECT THE APPROPRIATE EXHAUST RISE-HEIGHT TO MAINTAIN A MINIMUM OF 13 in. (330 mm) BETWEEN THE TOP OF THE EXHAUST ELBOW AND THE WATERLINE OF THE BOAT AT MAXIMUM RATED LOAD.
  - (3) EXHAUST OUTLETS MUST BE ABOVE WATERLINE OF BOAT AT MAXIMUM RATED LOAD.
  - (4) NUMBERS INSIDE BRACKETS "[ ]" ARE IN MILLIMETERS



**MX6.2 SCORPION VELVET DRIVE 71C INLINE  
SHEET 2 OF 2**

1. DIMENSIONS REQUIRE A MINIMUM 1/2-in [13mm] CLEARANCE FOR METER MOUNT DEFLECTION.
2. BASE OF MOUNT TO BE PARALLEL TO STRINGER. MOUNTS SHOWN AT CENTER OF ADJUSTMENT.
3. DIMENSIONS APPLY TO POINT OF INTERSECTION OF OUTPUT SHAFT CENTERLINE AND OUTPUT FLANGE FACE.

DIMENSION	SYMBOL	PROPSHAFT ANGLE			PROPSHAFT ANGLE			SYMBOL
		10°	12°	15°	10°	12°	15°	
REAR MOUNT TO TOP OF COVER	A	21-11/16	22-7/16	23-9/16	550	570	599	A
FRONT MOUNT $\phi$ TO FRONT OF ENGINE	B	12-5/16	12-7/16	12-5/8	313	316	320	B
REAR MOUNT $\phi$ TO FRONT MOUNT $\phi$	C	24-7/8	24-15/16	24-7/8	632	633	633	C
REAR MOUNT $\phi$ TO FLANGE	D	5-3/8	5-3/16	4-15/16	137	132	125	D
REAR MOUNT TO FLANGE	E	2-5/8	2-13/16	3-1/8	67	72	79	E
REAR MOUNT TO EXHAUST OUTLET	F	15-5/16	15-11/16	16-1/4	389	399	412	F
REAR MOUNT TO FLAME ARRESTOR	G	19-11/16	19-7/8	20-1/8	500	505	511	G
REAR MOUNT $\phi$ TO BRACKET	H	1-1/4	1-1/8	15/16	32	29	24	H
REAR MOUNT TO FRONT MOUNT	J	1-11/16	13/16	1/2	43	21	12	J
REAR MOUNT $\phi$ TO EXHAUST OUTLET	K	10-5/8	10-3/8	9-11/16	276	262	247	K
REAR MOUNT TO OIL PAN PLUG	L	8-3/8	7-7/8	7-1/8	212	200	181	L
REAR MOUNT $\phi$ TO FLAME ARRESTOR	M	3-9/16	2-15/16	2-1/16	90	75	53	M
REAR MOUNT TO BRACKET	N	11-1/2	11-9/16	11-11/16	292	294	297	N
		ENGLISH INCHES			METRIC MM			