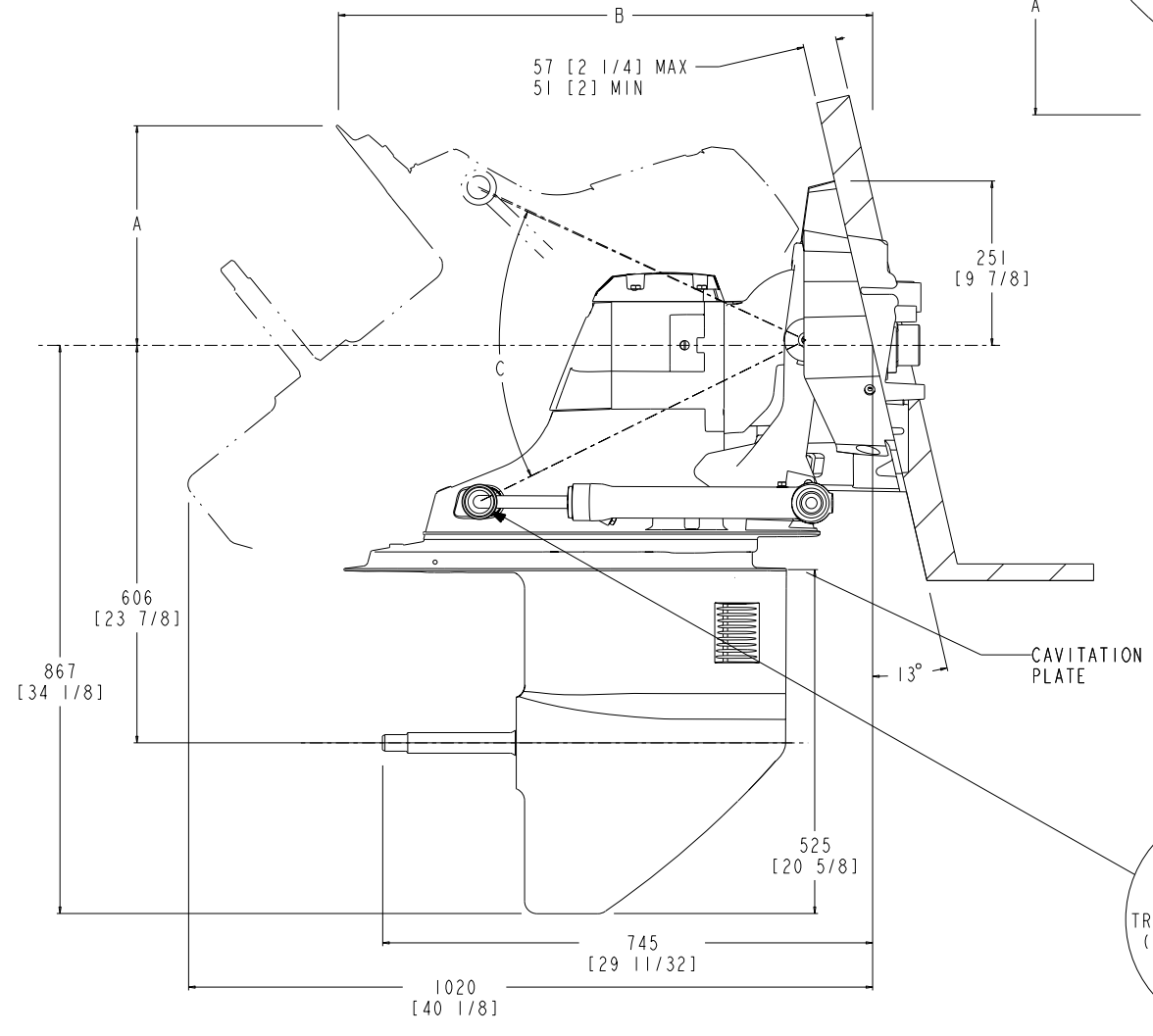
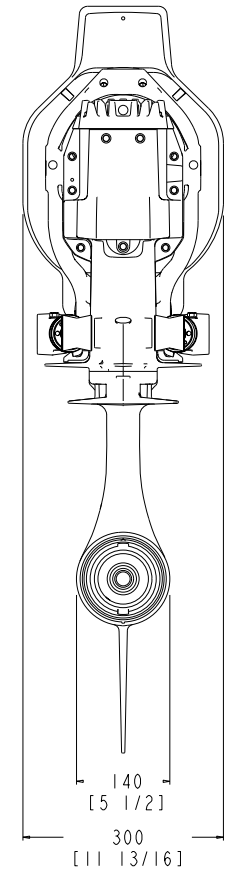
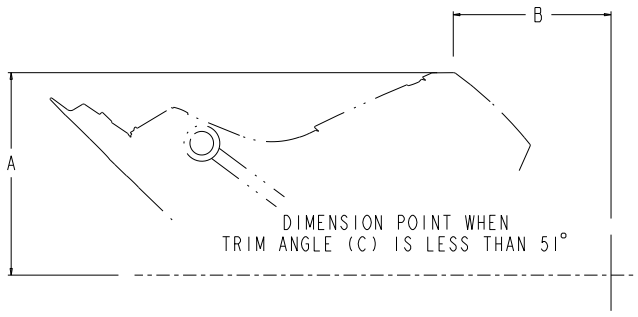
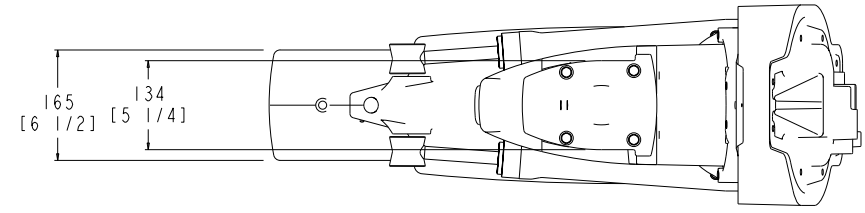
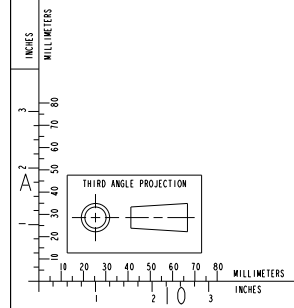
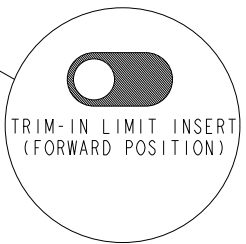


ITEM NUMBER
90-860248

REVISIONS			
ZONE	REV	DESCRIPTION	APP'D
02	REVISED		



CAVITATION PLATE



WITH TRIM-IN LIMIT INSERT IN FORWARD POSITION	.62" TILT-UP LIMIT SPACERS			
	A	B	C (MAX)	
	0	290 [11 7/16]	266 [10 7/16]	46°
	1	275 [10 7/8]	288 [11 3/8]	41.3°
2	260 [10 1/4]	309 [12 1/8]	36.8°	

DO NOT SCALE THIS DRAWING
THIS DRAWING/DATA FILE (AND THE INFORMATION SHOWN THEREON) IS CONFIDENTIAL AND PROPRIETARY AND SHALL NOT BE USED, DISCLOSED TO OTHERS, OR REPRODUCED BY ANY MEANS FOR ANY PURPOSE IN HARD COPY FORM OR IN MACHINE READABLE FILES, WITHOUT WRITTEN CONSENT OF CUMMINS INC., MARKETING CAD SERVICES DEPARTMENT.

PRODUCT GRAPHICS FILE
NO ORIGINAL DRAWING EXISTS FOR THIS ITEM. THE ENGINEERING GRAPHICS DATA FOR THIS ITEM RESIDES IN THE PRODUCT GRAPHICS FILE AND IS CONTROLLED BY THE AGENCY DESIGNATED AS HAVING ITEM CONTROL.

LAST SECTION LETTER USED: --	REF. DRAWING STANDARDS: ANSI Y14.5M ISO 81101	CUMMINS INC.	
UNLESS OTHERWISE SPECIFIED DIMENSIONS ARE IN: MM		ITEM NAME BRAVO TWO X STERNDRIVE	
DWN: D. SOMIN		IDENTIFIER INSTALLATION DIAGRAM	
CHD: UNCHECKED		SIZE CODE IDENT. NO. ITEM NUMBER J 90-860248	
APPD: --		SCALE: NA ITEM CONTROL: MCS SHEET 1 OF 1	