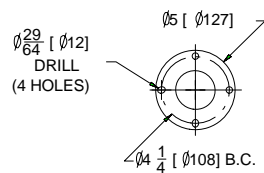
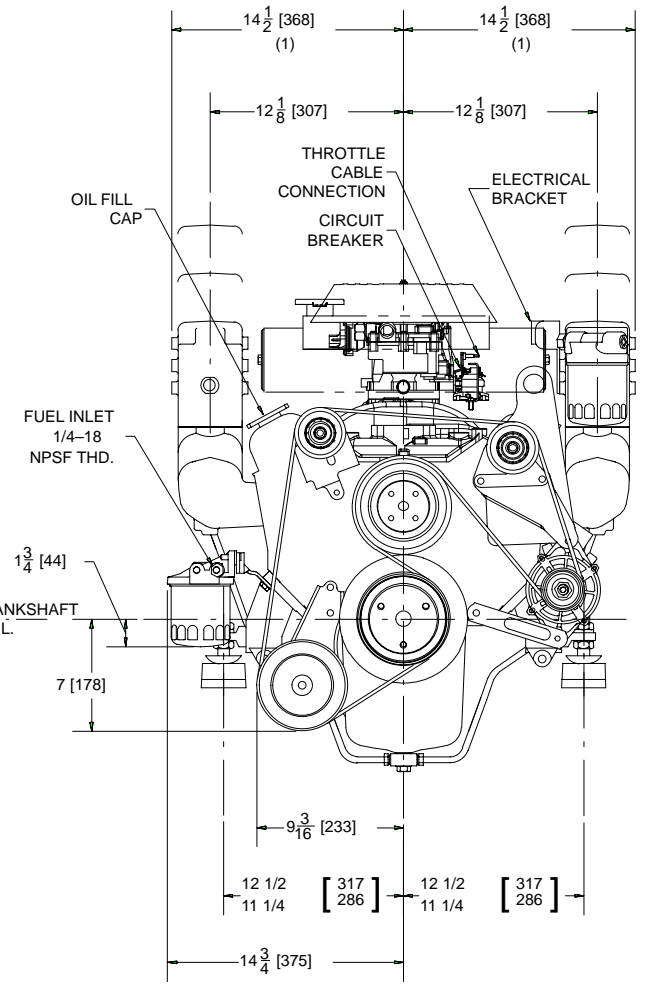
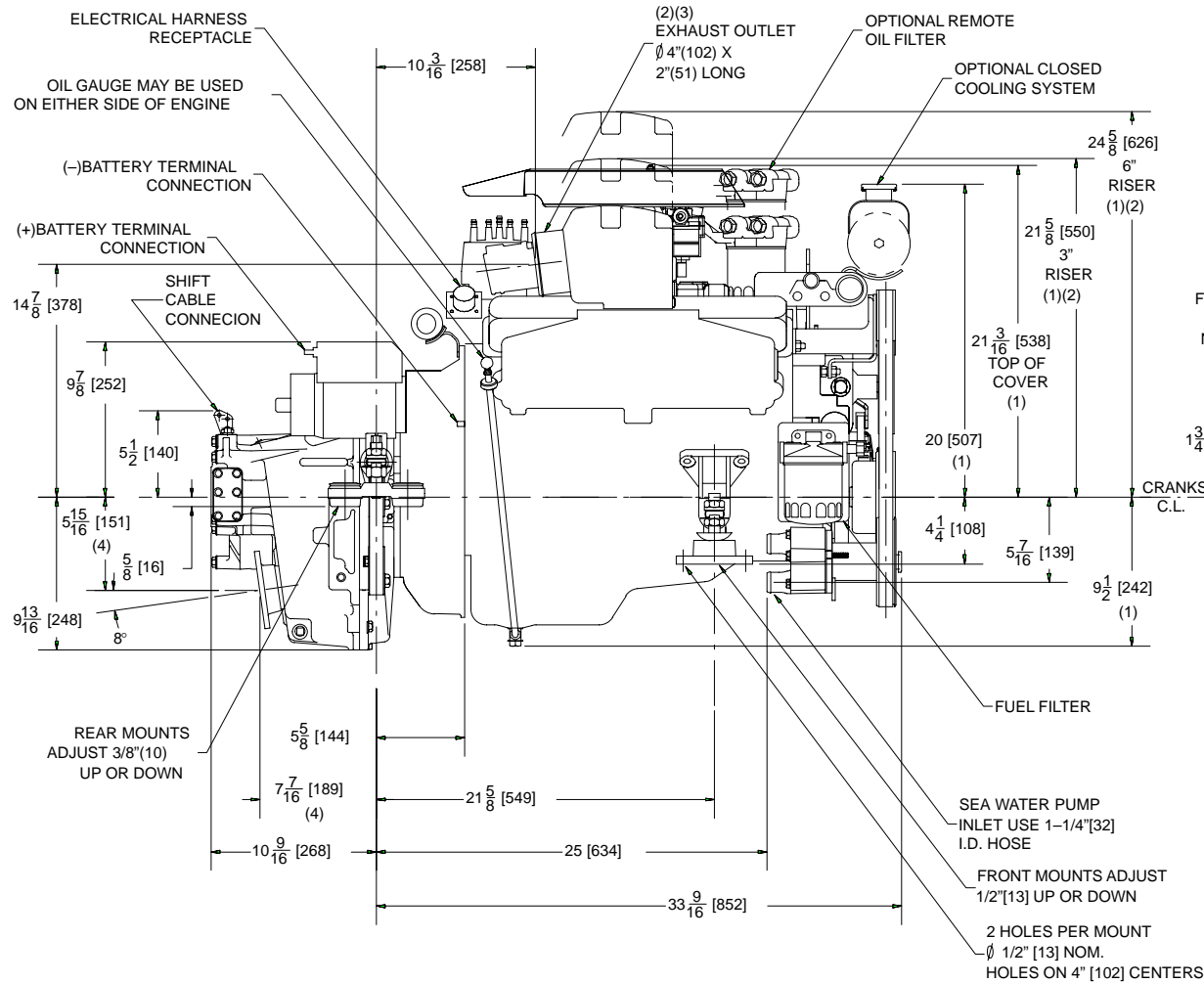


MIE 5.7L WITH (VELVET DRIVE 5000A) DOWN ANGLE TRANSMISSION



OUTPUT FLANGE
(SAE NO. 510)

UNIT OF MEASURE in. (mm)	SCALE APPROX. 1" = 1' 25.4mm = 304mm
-----------------------------	--

MIE 5.7L WITH VELVET DRIVE 5000A
DOWN ANGLE TRANSMISSION

- NOTES:
- (1) DIMENSIONS REQUIRE A MINIMUM 1/2 in. (13mm) CLEARANCE FOR MOTOR MOUNT DEFLECTION.
 - (2) SELECT THE APPROPRIATE EXHAUST RISE-HEIGHT TO MAINTAIN A MINIMUM OF 13 in. (330mm) BETWEEN THE TOP OF THE EXHAUST ELBOW AND THE WATERLINE OF THE BOAT AT MAXIMUM RATED LOAD.
 - (3) EXHAUST OUTLETS MUST BE ABOVE WATERLINE OF BOAT AT MAXIMUM RATED LOAD.
 - (4) DIMENSIONS APPLY TO POINT OF INTERSECTION OF OUTPUT SHAFT CENTERLINE AND OUTPUT FLANGE FACE.
 - (5) NUMBERS INSIDE BRACKETS "[]" ARE IN MILLIMETERS.