

(+) BATTERY
TERMINAL
CONNECTION

THROTTLE CABLE
CONNECTION

FUEL PUMP INLET
3/8 - 18 NPSF

WATER DRAIN
MANIFOLD

OIL GAUGE
MAY BE USED
ON EITHER
SIDE OF ENGINE

WATER
DISTRIBUTION
HOUSING

DRAIN
PLUG

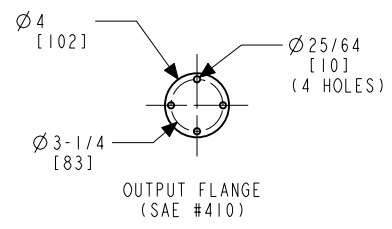
WATER SEPARATING
FUEL FILTER
CARTRIDGE

DRAIN
PLUG

WATER DRAIN
(STARBOARD)

DRW57-016 SHEET 1 OF 5 350 MAG MPI HORIZON / MX 6.2L MPI HORIZON WITH VELVET DRIVE 71C IN-LINE TRANSMISSION	UNIT OF MEASURE in. (mm)	SCALE 1" = 1' 25.4 mm = 305 mm
--	-----------------------------	--------------------------------------

- NOTES:
- (1) DIMENSIONS REQUIRE A MINIMUM OF 1/2 in. (13 mm) CLEARANCE FOR MOTOR MOUNT DEFLECTION.
 - (2) SELECT THE APPROPRIATE EXHAUST RISE-HEIGHT TO MAINTAIN A MINIMUM OF 13 in. (330 mm) BETWEEN THE TOP OF THE EXHAUST ELBOW AND THE WATERLINE OF THE BOAT AT MAXIMUM RATED LOAD.
 - (3) DIMENSIONS APPLY TO POINT OF INTERSECTION OF OUTPUT SHAFT CENTERLINE AND OUTPUT FLANGE FACE.
 - (4) DIMENSIONS TO SEA WATER PUMP INLET.
 - (5) BASE OF MOUNT TO BE PARALLEL TO STRINGER. MOUNTS SHOWN AT CENTER OF ADJUSTMENT.



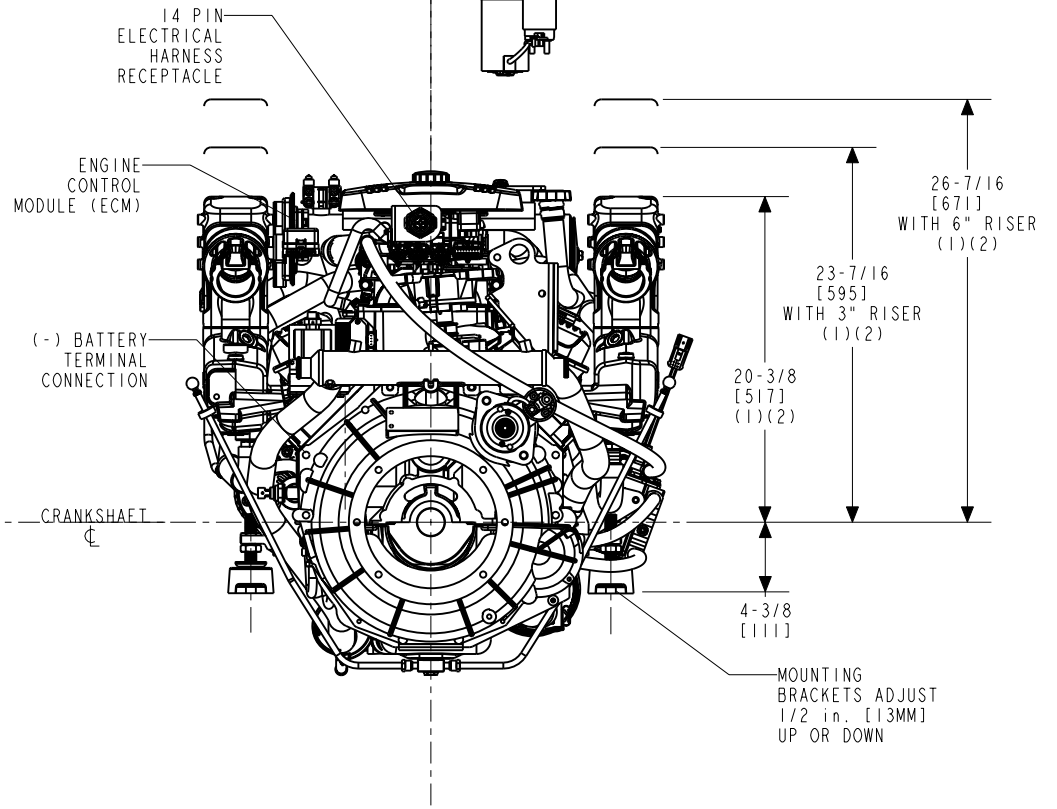
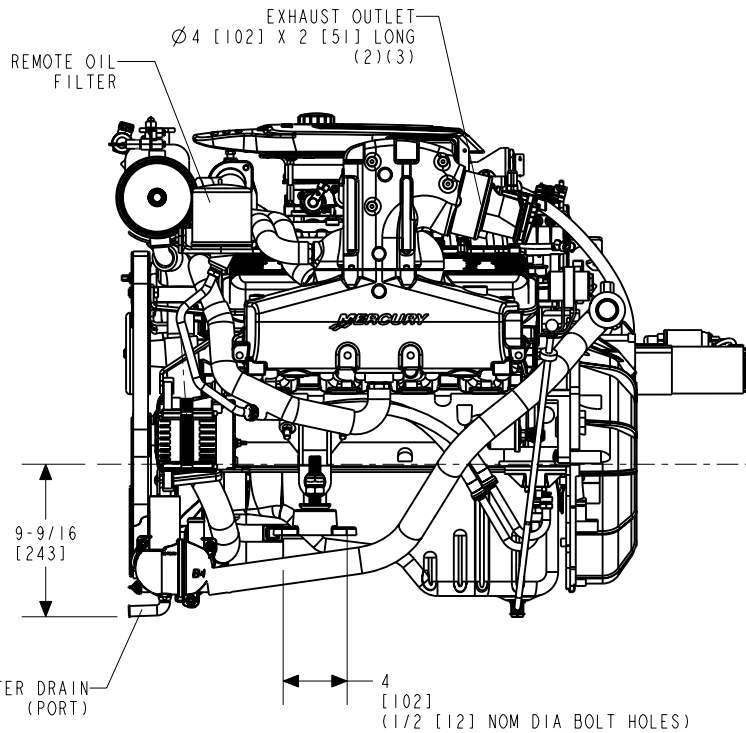
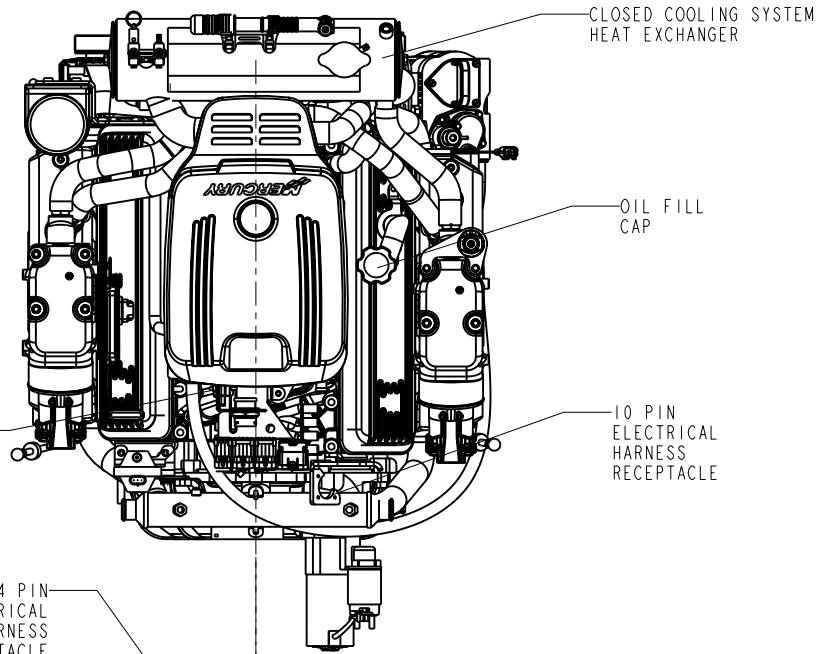
DRW57-016 SHEET 2 OF 5
350 MAG MPI HORIZON / MX 6.2L MPI HORIZON
WITH VELVET DRIVE 71C IN-LINE TRANSMISSION

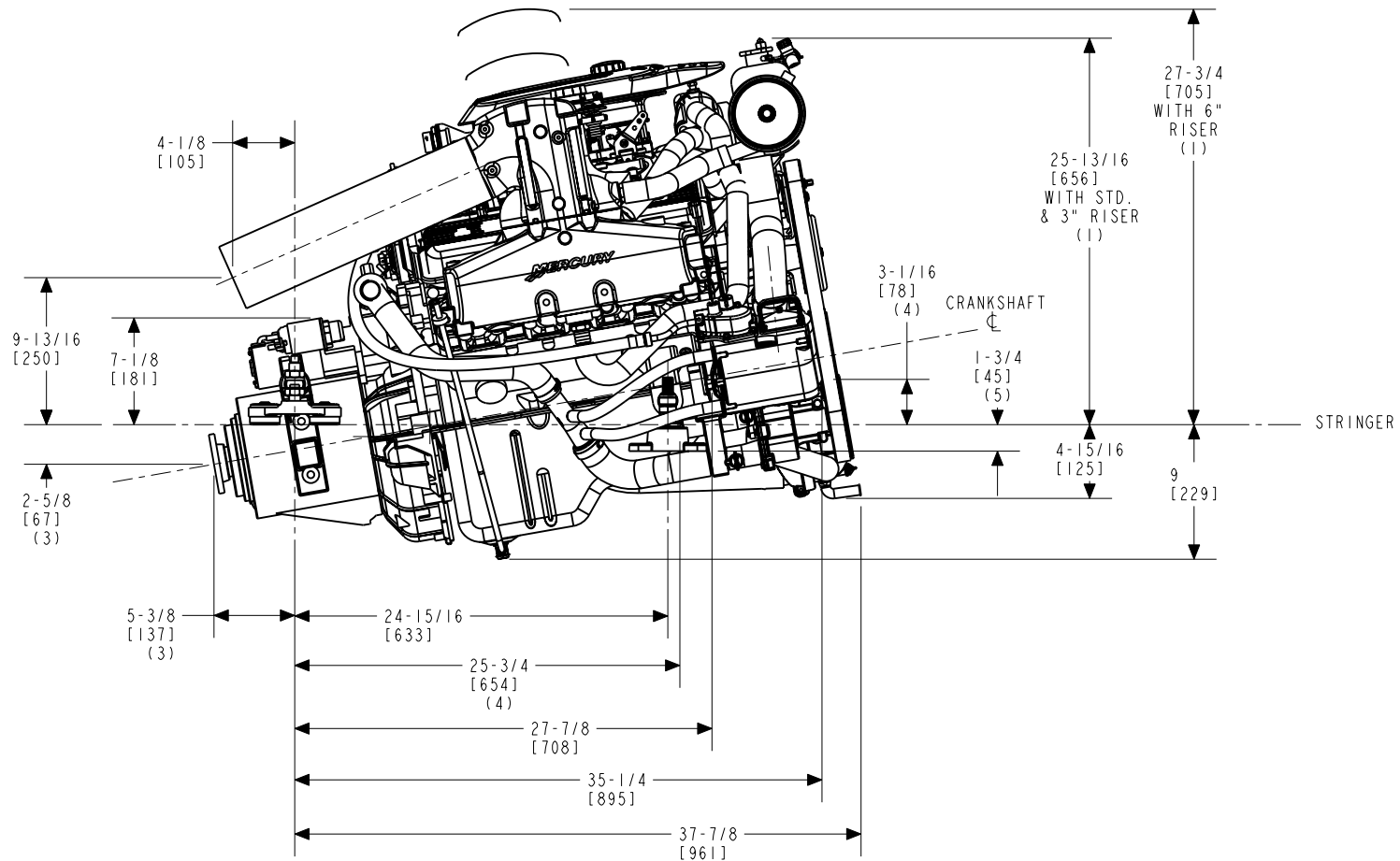
UNIT OF MEASURE
 in. (mm)

SCALE
 1" = 1'
 25.4 mm = 305 mm

NOTES:

- (1) DIMENSIONS REQUIRE A MINIMUM OF 1/2 in. (13 mm) CLEARANCE FOR MOTOR MOUNT DEFLECTION.
- (2) SELECT THE APPROPRIATE EXHAUST RISE-HEIGHT TO MAINTAIN A MINIMUM OF 13 in. (330 mm) BETWEEN THE TOP OF THE EXHAUST ELBOW AND THE WATERLINE OF THE BOAT AT MAXIMUM RATED LOAD.
- (3) DIMENSIONS APPLY TO POINT OF INTERSECTION OF OUTPUT SHAFT CENTERLINE AND OUTPUT FLANGE FACE.
- (4) DIMENSIONS TO SEA WATER PUMP INLET.
- (5) BASE OF MOUNT TO BE PARALLEL TO STRINGER. MOUNTS SHOWN AT CENTER OF ADJUSTMENT.





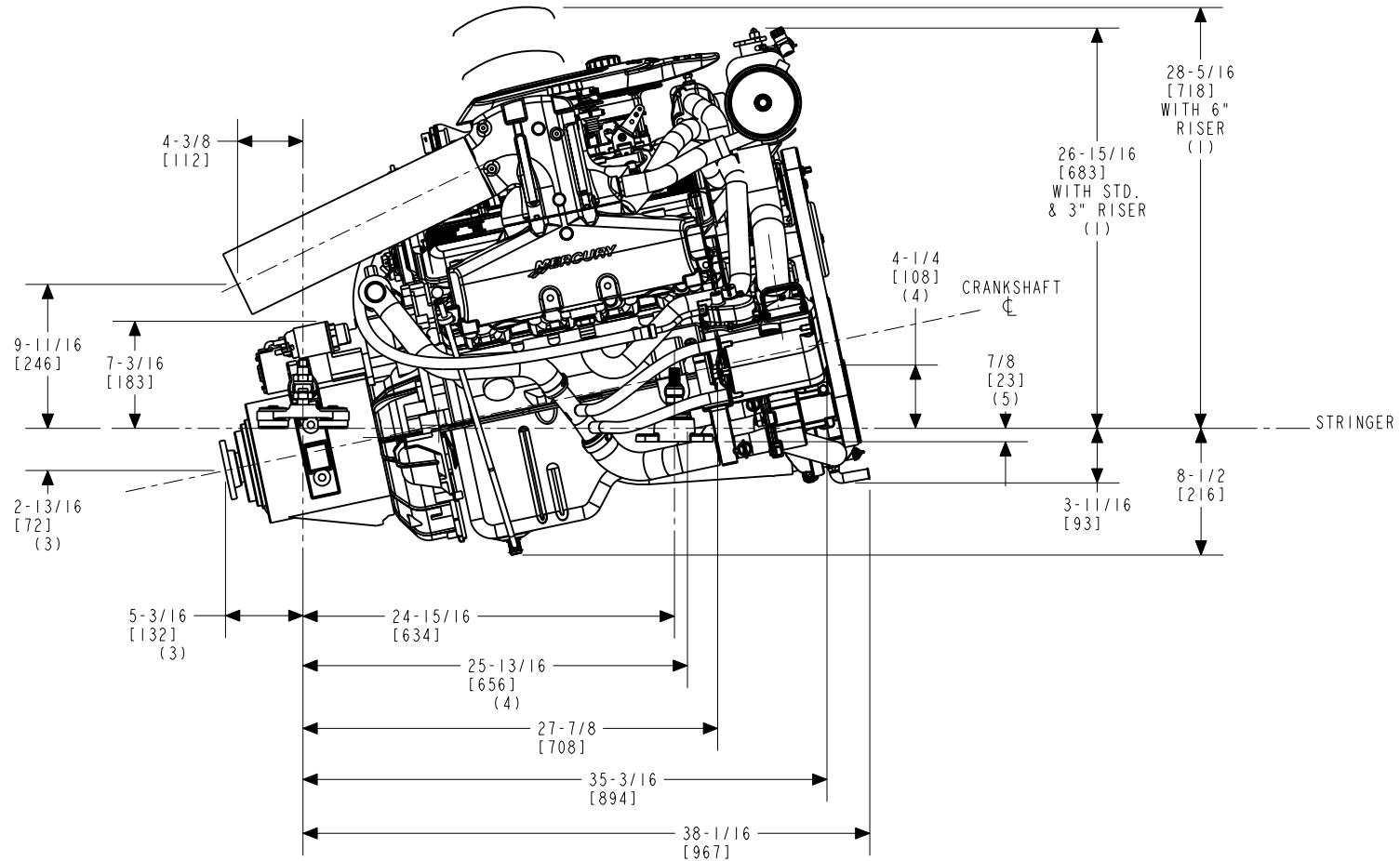
10° PROPSHAFT ANGLE SHOWN

DRW57-016 SHEET 3 OF 5
 350 MAG MPI HORIZON \ MX 6.2L MPI HORIZON
 WITH VELVET DRIVE 71C IN-LINE TRANSMISSION

UNIT OF MEASURE
 in. (mm)

SCALE
 1" = 1'
 25.4 mm = 305 mm

- NOTES:
- (1) DIMENSIONS REQUIRE A MINIMUM OF 1/2 in. (13 mm) CLEARANCE FOR MOTOR MOUNT DEFLECTION.
 - (2) SEE THE INSTALLATION MANUAL FOR EXHAUST SPECIFICATIONS.
 - (3) DIMENSIONS APPLY TO POINT OF INTERSECTION OF OUTPUT SHAFT CENTERLINE AND OUTPUT FLANGE FACE.
 - (4) DIMENSIONS TO SEA WATER PUMP INLET.
 - (5) BASE OF MOUNT TO BE PARALLEL TO STRINGER. MOUNTS SHOWN AT CENTER OF ADJUSTMENT.



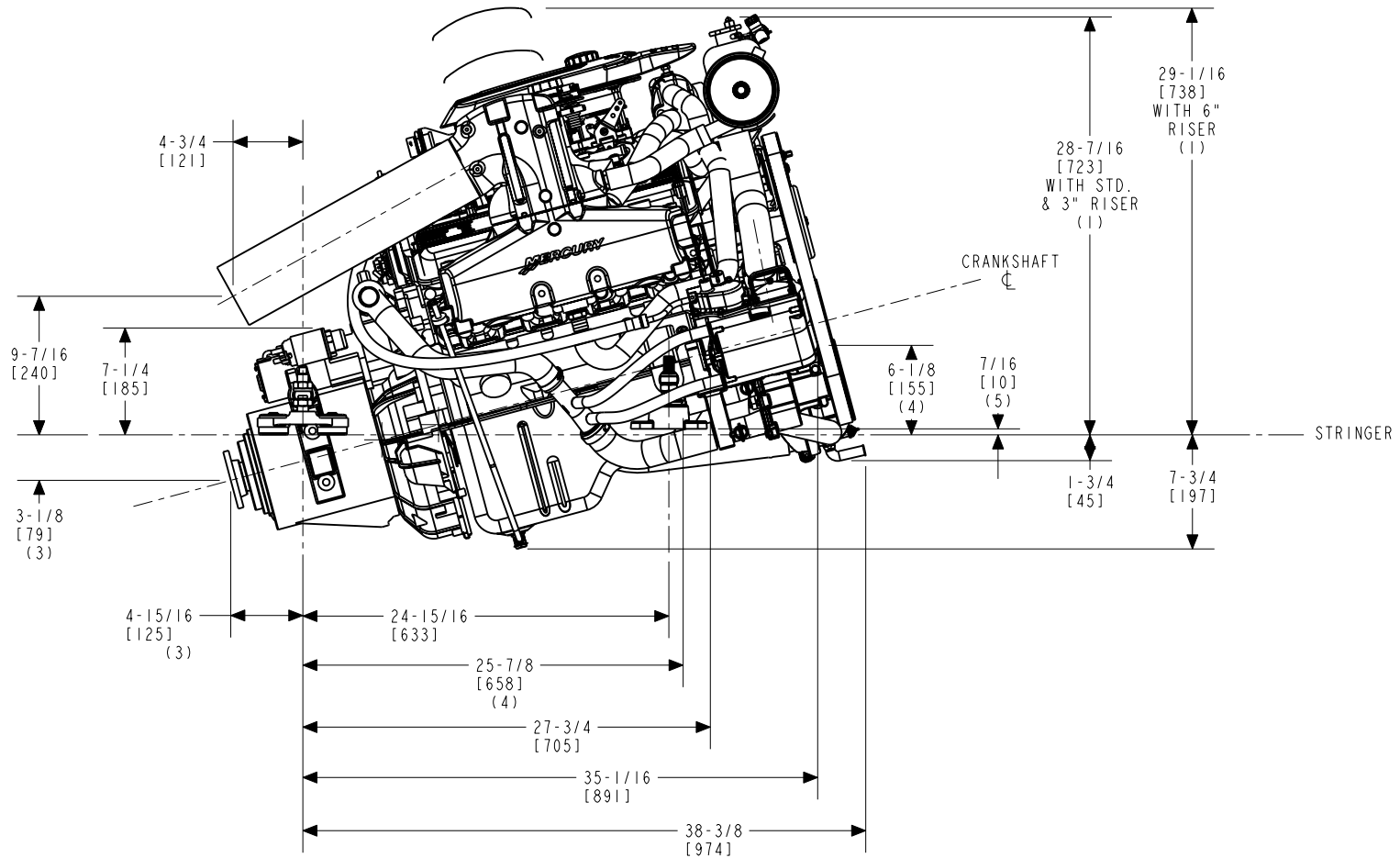
12° PROPSHAFT ANGLE SHOWN

DRW57-016 SHEET 4 OF 5
 350 MAG MPI HORIZON \ MX 6.2L MPI HORIZON
 WITH VELVET DRIVE 71C IN-LINE TRANSMISSION

UNIT OF MEASURE
 in. (mm)

SCALE
 1" = 1'
 25.4 mm = 305 mm

- NOTES:
- (1) DIMENSIONS REQUIRE A MINIMUM OF 1/2 in. (13 mm) CLEARANCE FOR MOTOR MOUNT DEFLECTION.
 - (2) SEE THE INSTALLATION MANUAL FOR EXHAUST SPECIFICATIONS.
 - (3) DIMENSIONS APPLY TO POINT OF INTERSECTION OF OUTPUT SHAFT CENTERLINE AND OUTPUT FLANGE FACE.
 - (4) DIMENSIONS TO SEA WATER PUMP INLET.
 - (5) BASE OF MOUNT TO BE PARALLEL TO STRINGER. MOUNTS SHOWN AT CENTER OF ADJUSTMENT.



15° PROPSHAFT ANGLE SHOWN

DRW57-016 SHEET 5 OF 5
 350 MAG MPI HORIZON \ MX 6.2L MPI HORIZON
 WITH VELVET DRIVE 71C IN-LINE TRANSMISSION

UNIT OF MEASURE
 in. (mm)

SCALE
 1" = 1'
 25.4 mm = 305 mm

- NOTES:
- (1) DIMENSIONS REQUIRE A MINIMUM OF 1/2 in. (13 mm) CLEARANCE FOR MOTOR MOUNT DEFLECTION.
 - (2) SEE THE INSTALLATION MANUAL FOR EXHAUST SPECIFICATIONS.
 - (3) DIMENSIONS APPLY TO POINT OF INTERSECTION OF OUTPUT SHAFT CENTERLINE AND OUTPUT FLANGE FACE.
 - (4) DIMENSIONS TO SEA WATER PUMP INLET.
 - (5) BASE OF MOUNT TO BE PARALLEL TO STRINGER. MOUNTS SHOWN AT CENTER OF ADJUSTMENT.